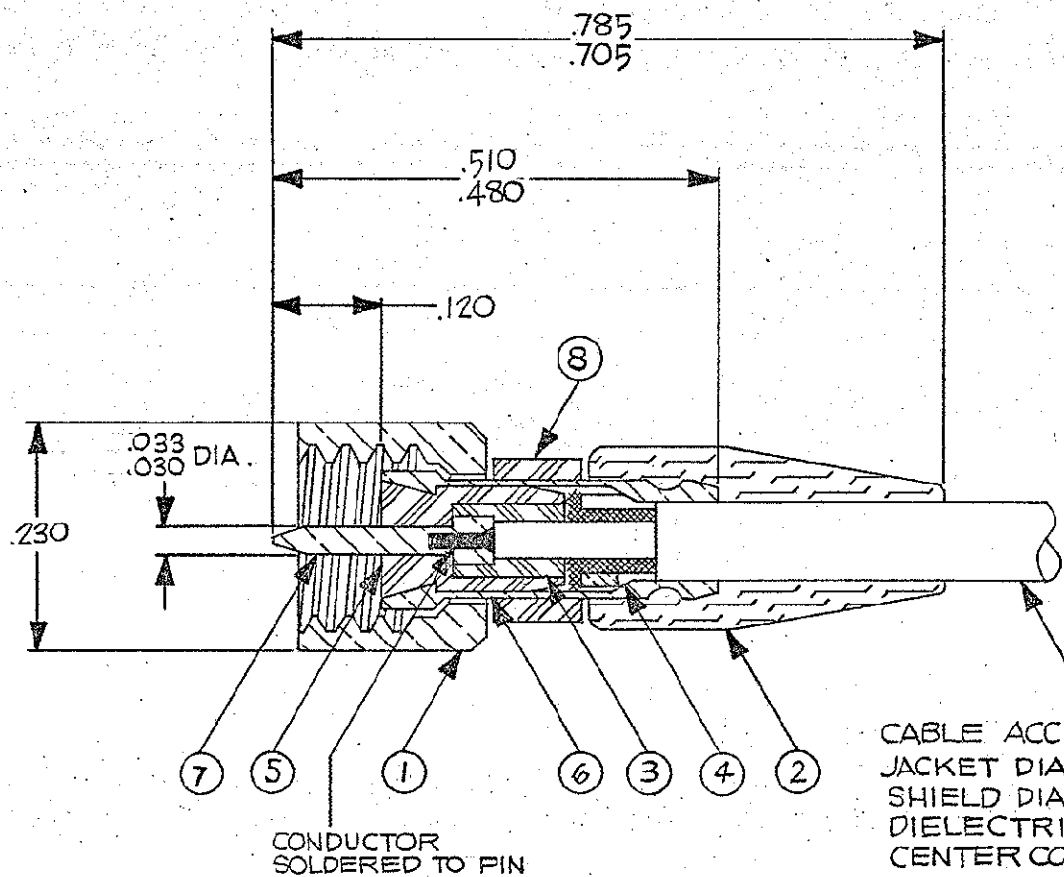


REVISIONS					
ZONE	LTR	ECN	DESCRIPTION	DATE	APPROVED
	P	26527	REVISE & REDRAW ORIGINAL RELEASED BY G.P.F. (7-18-54)	4/22/82	hs
	R	30393	INSULATOR IS: 003-0153-0001 WAS: 003-0150-0001	10/2/86	hs
	S	38207	UPDATE PART TABLE.	10/10/98	es
	T	38512	UPDATE REV. LETTER	1/25/99	es



CABLE ACCEPTANCE DIMS:
 JACKET DIA.093 MAX.
 SHIELD DIA.077 MAX.
 DIELECTRIC DIA.041 MAX.
 CENTER COND. DIA.015 MAX.

NOTES: (UNLESS OTHERWISE SPECIFIED)

1. THIS CONNECTOR MATES WITH ALL S-50 JACKS AND RECEPTACLES AS LISTED IN MALCO CATALOG.
2. FOR ASSEMBLY INSTRUCTIONS SEE RF-ASMB-89.
3. MALCO ASSEMBLY TOOL OIO-0003-0000 REQUIRED.
- △ SILVER PLATE .0002 MIN. PER QQ-S-365, TYPE II, GRADE A.
- △ GOLD PLATE PER QQ-G-45204, TYPE II, GRADE C, CLASS I.
- △ 10-32 UNF -2B THREAD.
- △ MALE DIAMOND KNURL.

FINISH	PT. NO.	DESCRIPTION	MATERIALS	ITEM NO.
		PIN PROTECTOR	TEFLON, ASTM-D-1457	8
△ 5		PIN CONTACT	BRASS, QQ-B-626	7
△ 4		FERRULE	BRASS, QQ-B-626	6
		INSULATOR	TEFLON ASTM-D-1457	4
△ 4		RING	BRASS, QQ-B-626	3
		INSULATOR	TEFLON ASTM-D-1457	2
		BEND RELIEF CAP	SILICONE ZZ-R-765	5
△ 4 △ 6 △ 7		NUT	BRASS, QQ-B-626	1

PARTS LIST

UNLESS OTHERWISE SPECIFIED DIMENSIONS ARE IN INCHES TOLERANCES ARE: FRACTIONS DECIMALS ANGLES ± .XX ± ± ± .XXX ± .010		CONTRACT NO.		MALCO A MICRODOT COMPANY, INC. 220 PASADENA AVE., SO. PASADENA, CALIF. 91030	
MATERIAL		APPROVALS	DATE	PLUG PROD. CODE 931 CODE CDM	
-NOTED-		DRAWN	L. MATEO 4-19-82		
FINISH		CHECKED	E. Hsu 4/21/82		
-NOTED-		PR. ENG.	hs 4-22-82	APPROVED	
NEXT ASSY	USED ON	These drawings and specifications are the property of Microdot Inc. and shall not be divulged, reproduced or copied, or used as the basis for the manufacture or sale of any article without written permission of Microdot Inc.		SIZE	CODE IDENT NO.
APPLICATION	DO NOT SCALE DRAWING	SCALE none		B	98278
		SHEET 1 OF 1		DRAWING NO.	032-0033-0001