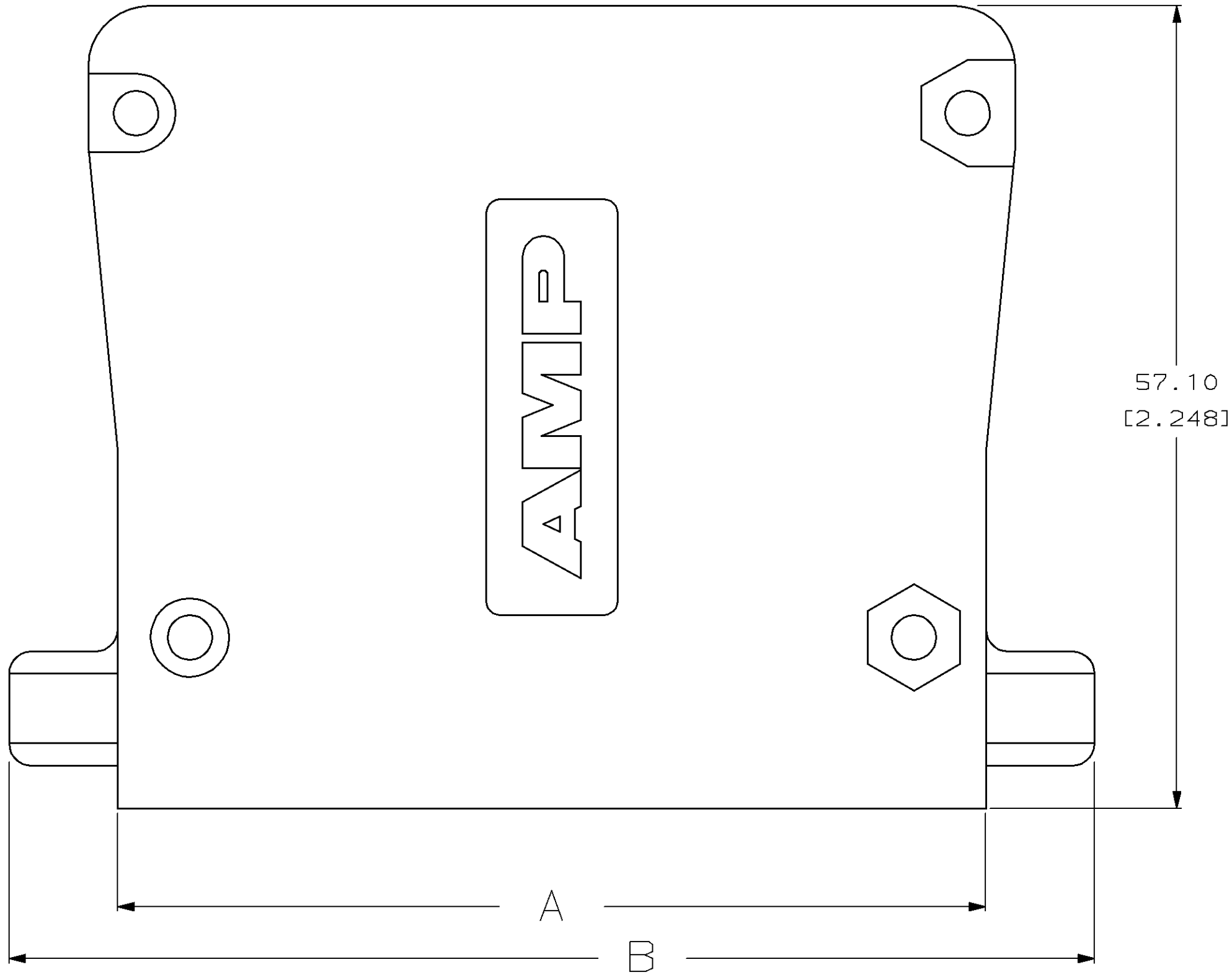
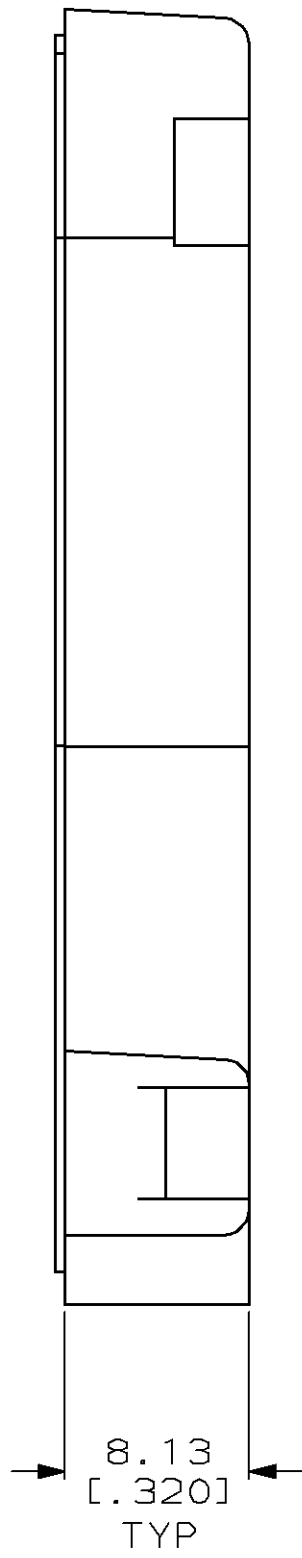
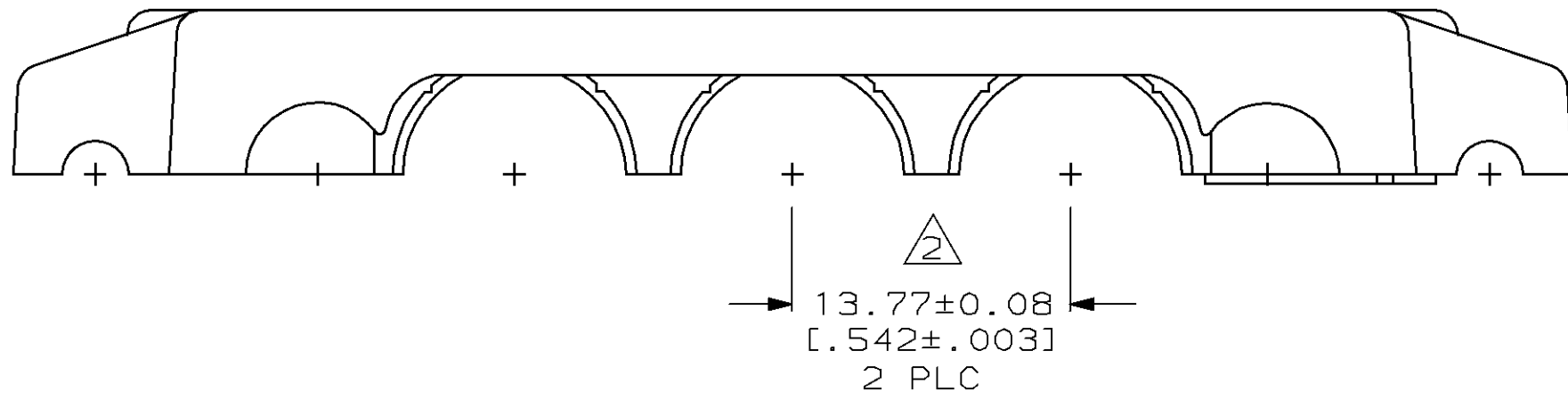


THIS DRAWING IS UNPUBLISHED. RELEASED FOR PUBLICATION
 BY AMP INCORPORATED. ALL RIGHTS RESERVED.

LOC	DIST	REVISIONS			
P	LTR	DESCRIPTION	DATE	DWN	APVD
FT	38	0	RELEASED	27 MAY 97	-



- ① BRIGHT NICKEL OVER BRIGHT COPPER.
- ② 788090-4 HAS ONLY ONE CABLE EXIT.



77.22 [3.040]	61.75 [2.431]	3	788090-6
63.50 [2.500]	48.03 [1.891]	2	788090-5
55.17 [2.172]	39.70 [1.563]	1	② 788090-4
B	A	SHELL SIZE	PART NUMBER

THIS DRAWING IS A CONTROLLED DOCUMENT.

DWN W.G.LENKER 27 MAY 97	AMP Incorporated Harrisburg, PA 17105-3608																			
CHK R.STONE 27 MAY 97																				
APVD G.D.MILLER 29 MAY 97																				
NAME BACKSHELL, SIZES 1-3, INLINE, AMPLIMITE™																				
DIMENSIONS: mm [INCH]	TOLERANCES UNLESS OTHERWISE SPECIFIED:	PRODUCT SPEC 108-40032-1	SIZE A2	CAGE CODE 00779	DRAWING NO C=788090	RESTRICTED TO														
<table border="1"> <tr><td>0 PLC</td><td>±-</td></tr> <tr><td>1 PLC</td><td>±-</td></tr> <tr><td>2 PLC</td><td>±0.13 [.005]</td></tr> <tr><td>3 PLC</td><td>±-</td></tr> <tr><td>4 PLC</td><td>±-</td></tr> </table>	0 PLC	±-	1 PLC	±-	2 PLC	±0.13 [.005]	3 PLC	±-	4 PLC	±-	<table border="1"> <tr><td>ANGLES</td><td>±-</td></tr> <tr><td>FINISH</td><td>①</td></tr> </table>	ANGLES	±-	FINISH	①	APPLICATION SPEC -	WEIGHT -	SCALE 3:1	SHEET 1 OF 1	REV 0
0 PLC	±-																			
1 PLC	±-																			
2 PLC	±0.13 [.005]																			
3 PLC	±-																			
4 PLC	±-																			
ANGLES	±-																			
FINISH	①																			
MATERIAL ABS	FINISH ①	CUSTOMER DRAWING																		

788090

A