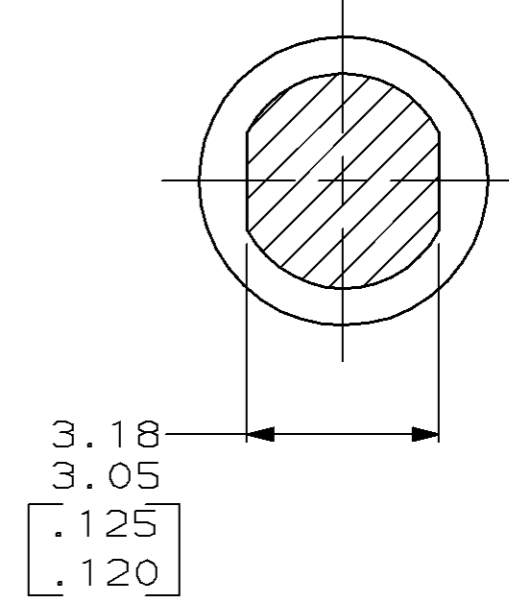
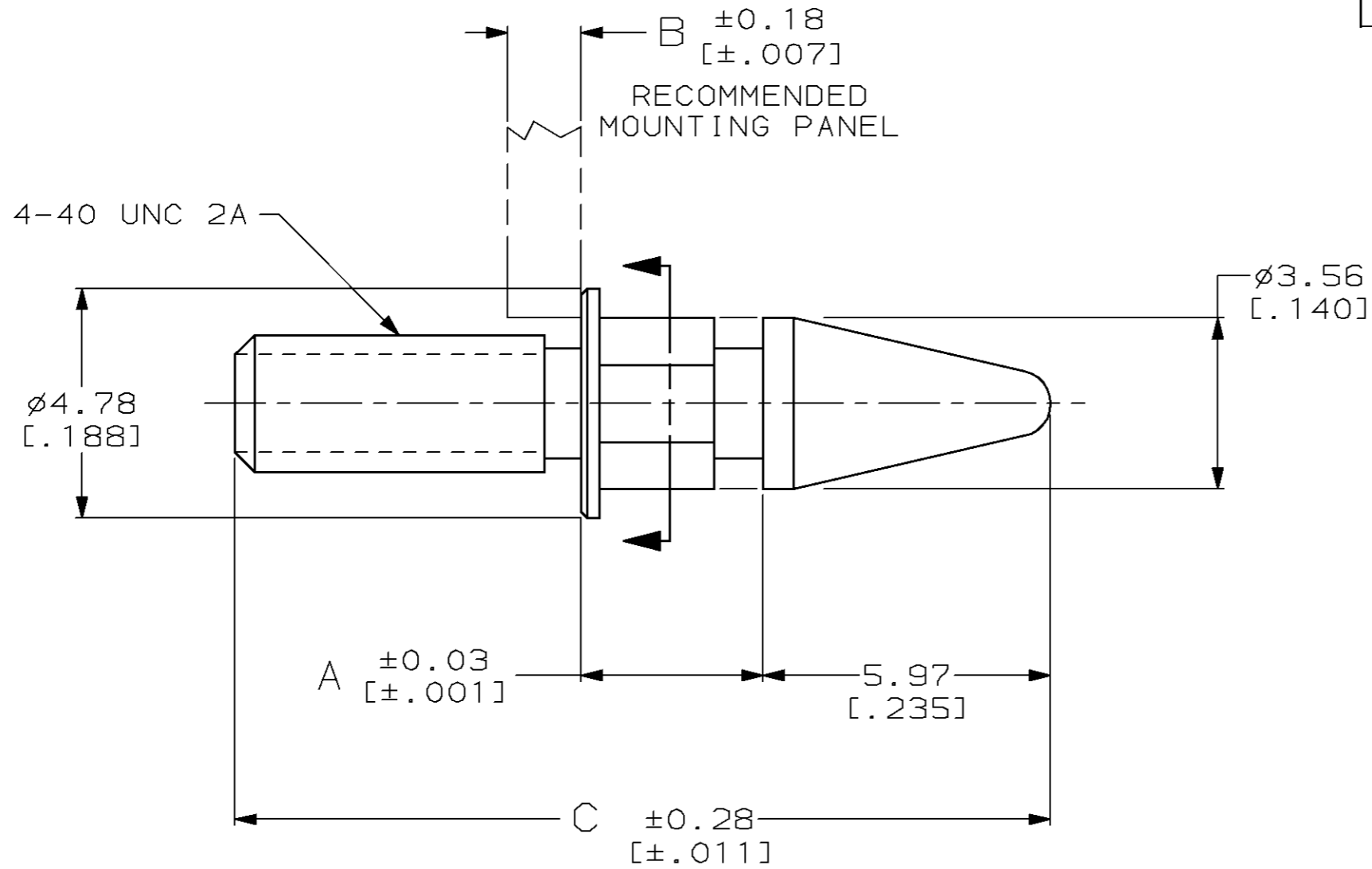


THIS DRAWING IS UNPUBLISHED. RELEASED FOR PUBLICATION, 19 .
 © COPYRIGHT 19 BY AMP INCORPORATED. ALL RIGHTS RESERVED.

LOC	DIST	REVISIONS			
P	LTR	DESCRIPTION	DATE	DWN	APVD
BD	48				
	0	RLSE PER NPR 57 WAS 97-5980-17	18 SEP 97	-	-
	A	ADDED -3 PER EC 0320-380-97	31 OCT 97	WGL	DM
	B	REV PER EC 0640-321-98	28 AUG 98	MB	JO



16.56 [.652]	1.91 [.075]	3.40 [.134]	788193-3
16.94 [.667]	1.52 [.060]	3.78 [.149]	788193-1
C	B	A	PART NUMBER

THIS DRAWING IS A CONTROLLED DOCUMENT.		DWN B. CARBO 18 SEP 97	AMP AMP Incorporated Harrisburg, PA 17105-3608											
DIMENSIONS: mm [INCHES]		CHK R. STONE 18 SEP 97												
TOLERANCES UNLESS OTHERWISE SPECIFIED:		APVD V. KANE 18 SEP 97	NAME POST, REAR MOUNTING, LOCKING, IFE, AMPLIMITE™											
<table border="0"> <tr><td>0 PLC</td><td>±-</td></tr> <tr><td>1 PLC</td><td>±-</td></tr> <tr><td>2 PLC</td><td>±0.13 [.005]</td></tr> <tr><td>3 PLC</td><td>±-</td></tr> <tr><td>4 PLC</td><td>±-</td></tr> <tr><td>ANGLES</td><td>±-</td></tr> </table>		0 PLC			±-	1 PLC	±-	2 PLC	±0.13 [.005]	3 PLC	±-	4 PLC	±-	ANGLES
0 PLC	±-													
1 PLC	±-													
2 PLC	±0.13 [.005]													
3 PLC	±-													
4 PLC	±-													
ANGLES	±-													
MATERIAL STAINLESS STEEL	FINISH PASSIVATED	APPLICATION SPEC -	SIZE A3	CAGE CODE 00779	DRAWING NO C- 788193	RESTRICTED TO -								
CUSTOMER DRAWING			SCALE 8:1	SHEET 1 OF 1	REV B									