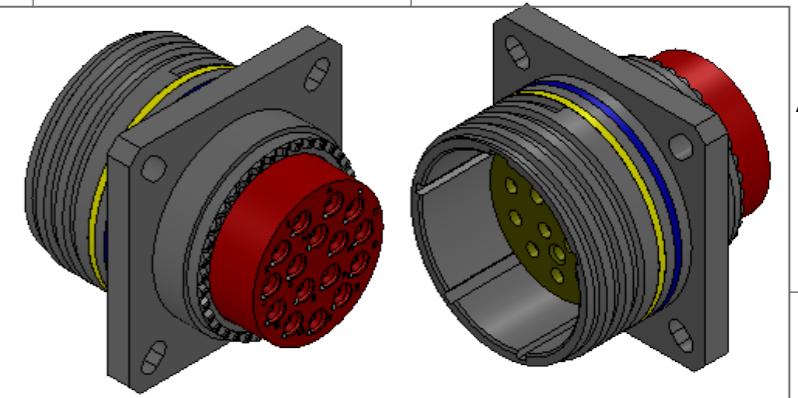
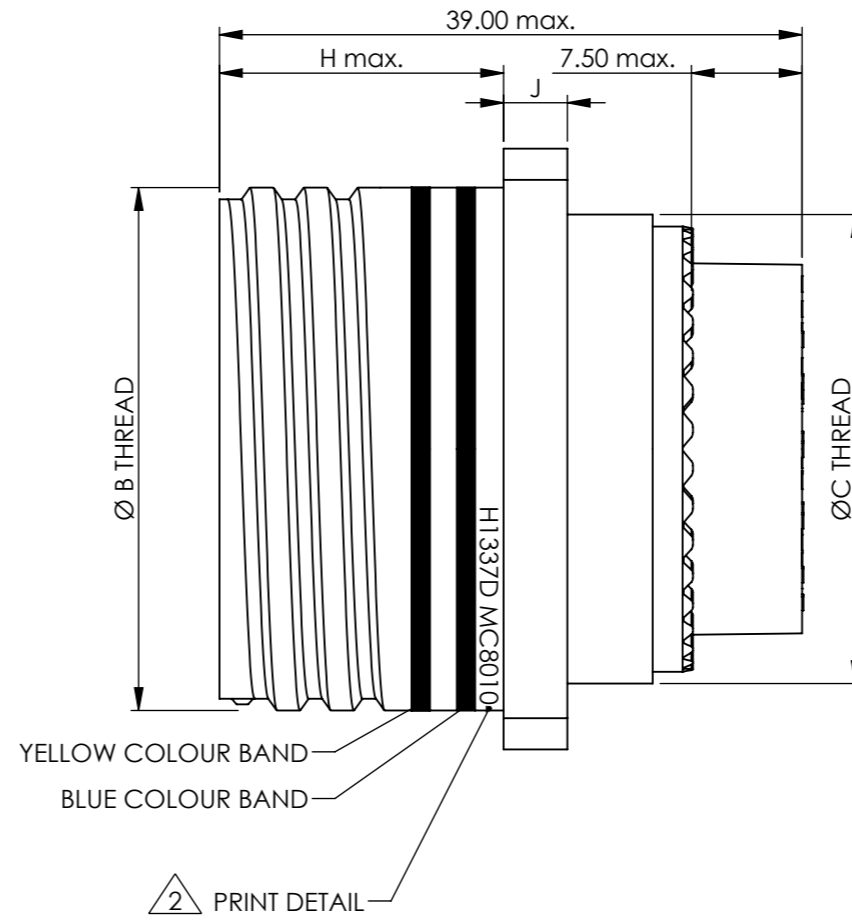
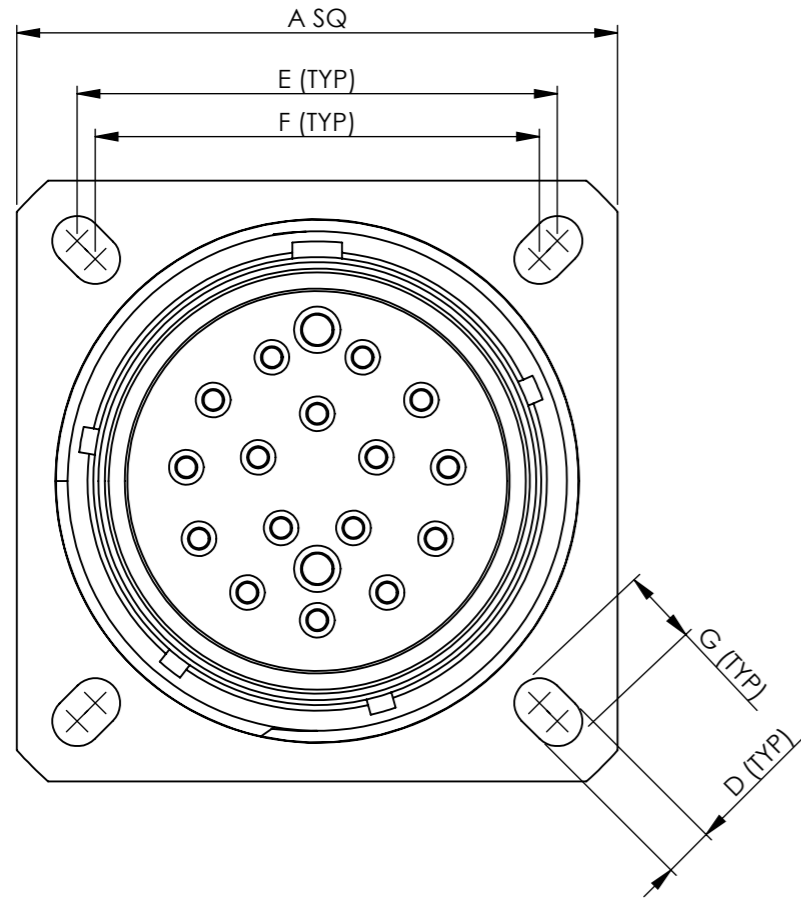


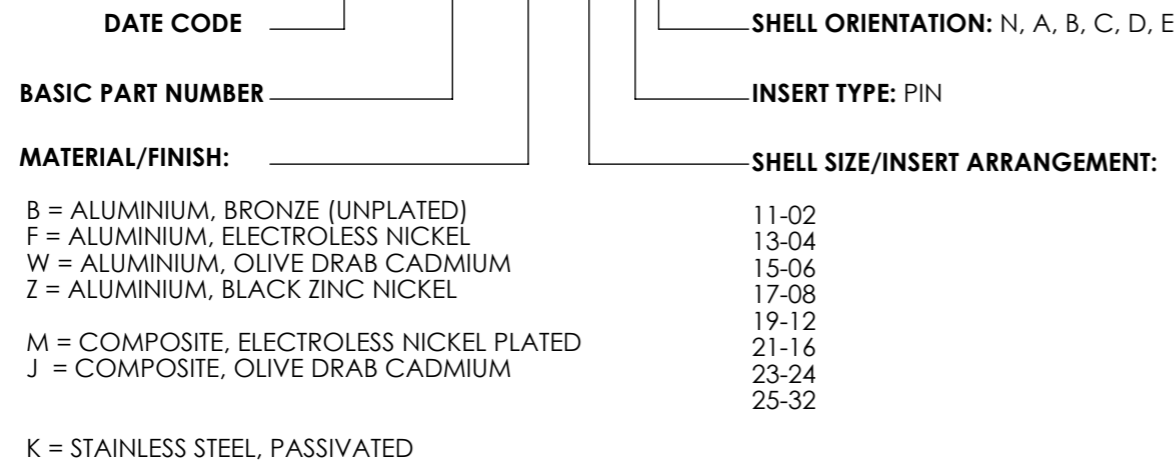
DRAWING NUMBER:  
**460074-ENV**



**NOTES:**

1. DUST CAPS TO BE FITTED TO CONNECTORS. CABLE ASSEMBLY TO BE PACKED IN A PROTECTIVE BAG MARKED WITH A MINIMUM OF THE PART NUMBER, BATCH NUMBER, DATE CODE AND ITEM DESCRIPTION.

2. MC801 PART NUMBER EXAMPLE: H\*\*\*\*D MC8010 -N -11-02 P N



THIS INFORMATION IS CONFIDENTIAL AND PROPRIETARY TO TYCO ELECTRONICS CORPORATION AND ITS WORLDWIDE SUBSIDIARIES AND AFFILIATES (TE). IT MAY NOT BE DISCLOSED TO ANYONE OTHER THAN TE PERSONNEL, WITHOUT AUTHORIZATION FROM TE (www.te.com).

AB	DUK-70340	MJH	NPO	MJH	NT	20/03/2019
ISSUE	CHANGE NOTE	DRAWN	CHECKED	APP. ENG.	APP. MARKETING	DATE

THIRD ANGLE PROJECTION	MATERIAL:	FINISH:	 <b>DEUTSCH</b> TE CONNECTIVITY UK LTD., ST. LEONARDS-ON-SEA, TN38 9RF, UK.	
	UNLESS OTHERWISE STATED: DIMENSIONS: mm [INCHES]			
IF IN DOUBT, ASK	SIZE: <b>A3</b>	SCALE: <b>2:1</b>	DRAWING NUMBER: <b>460074-ENV</b>	SHEET: <b>1 OF 1</b> ISSUE: <b>AB</b>