


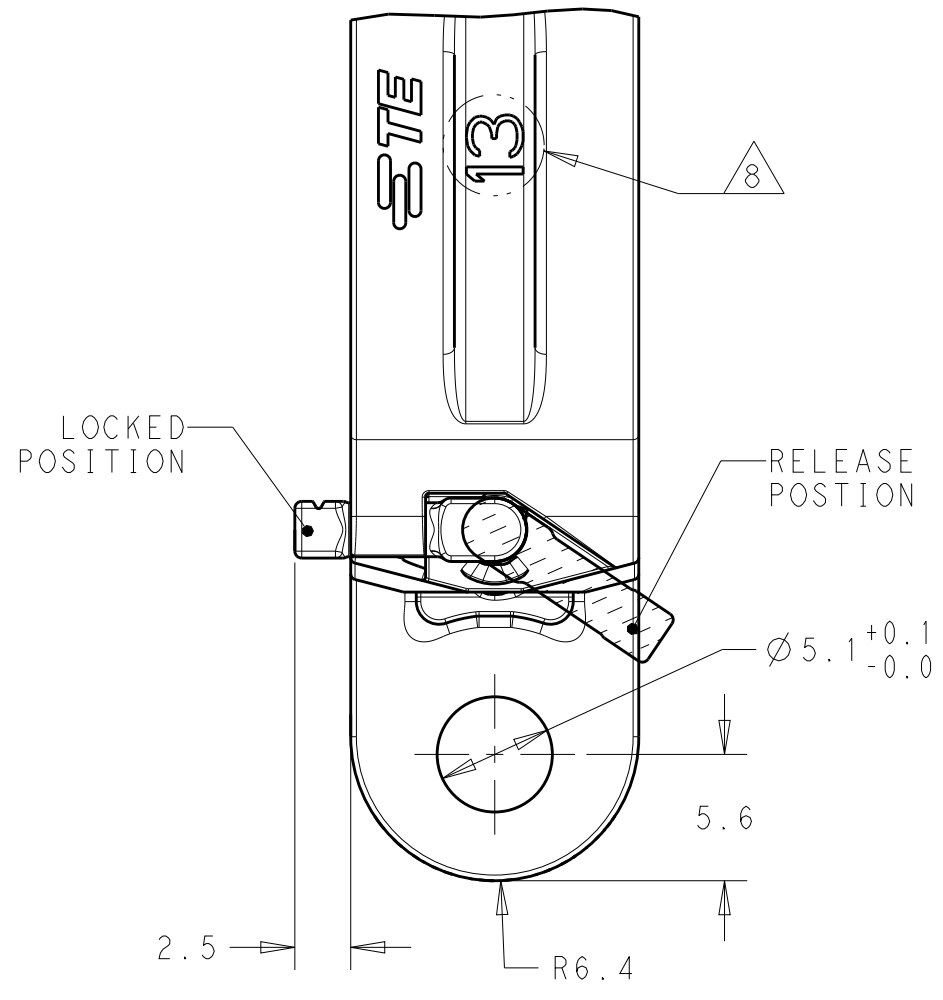
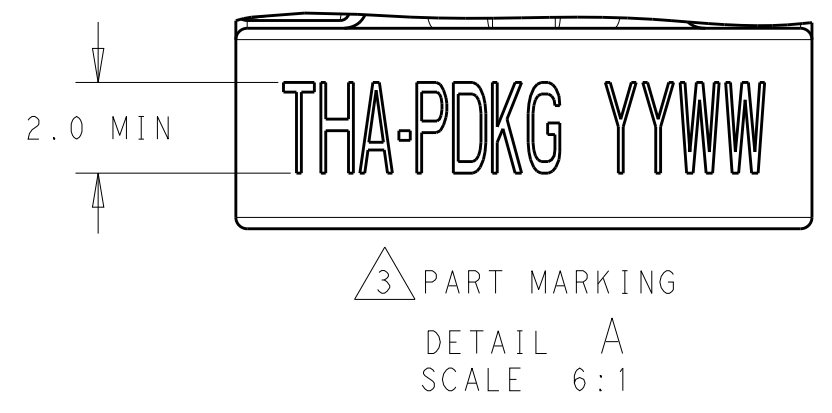
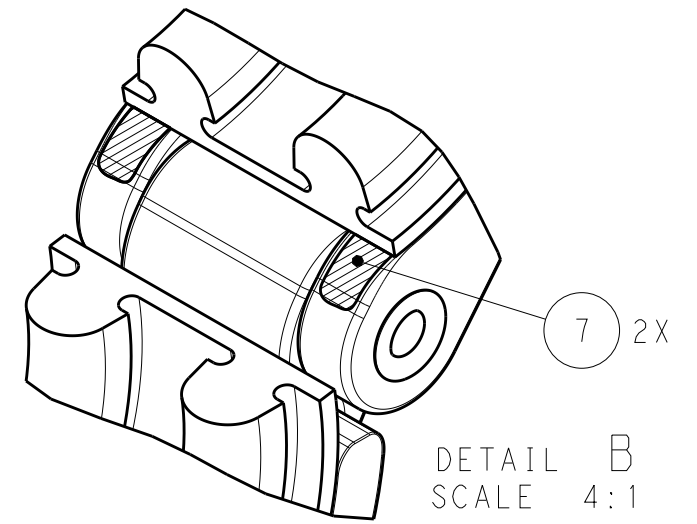
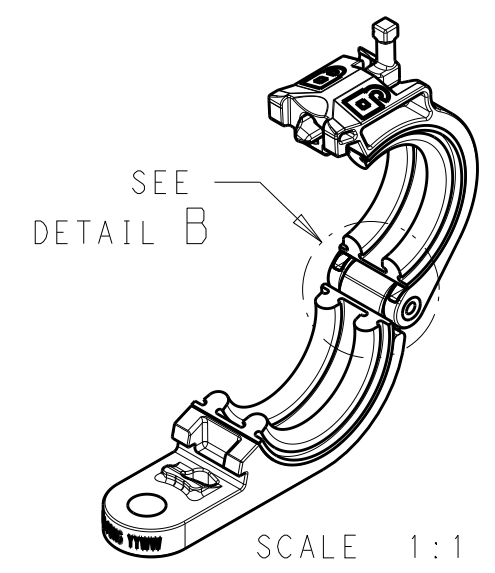


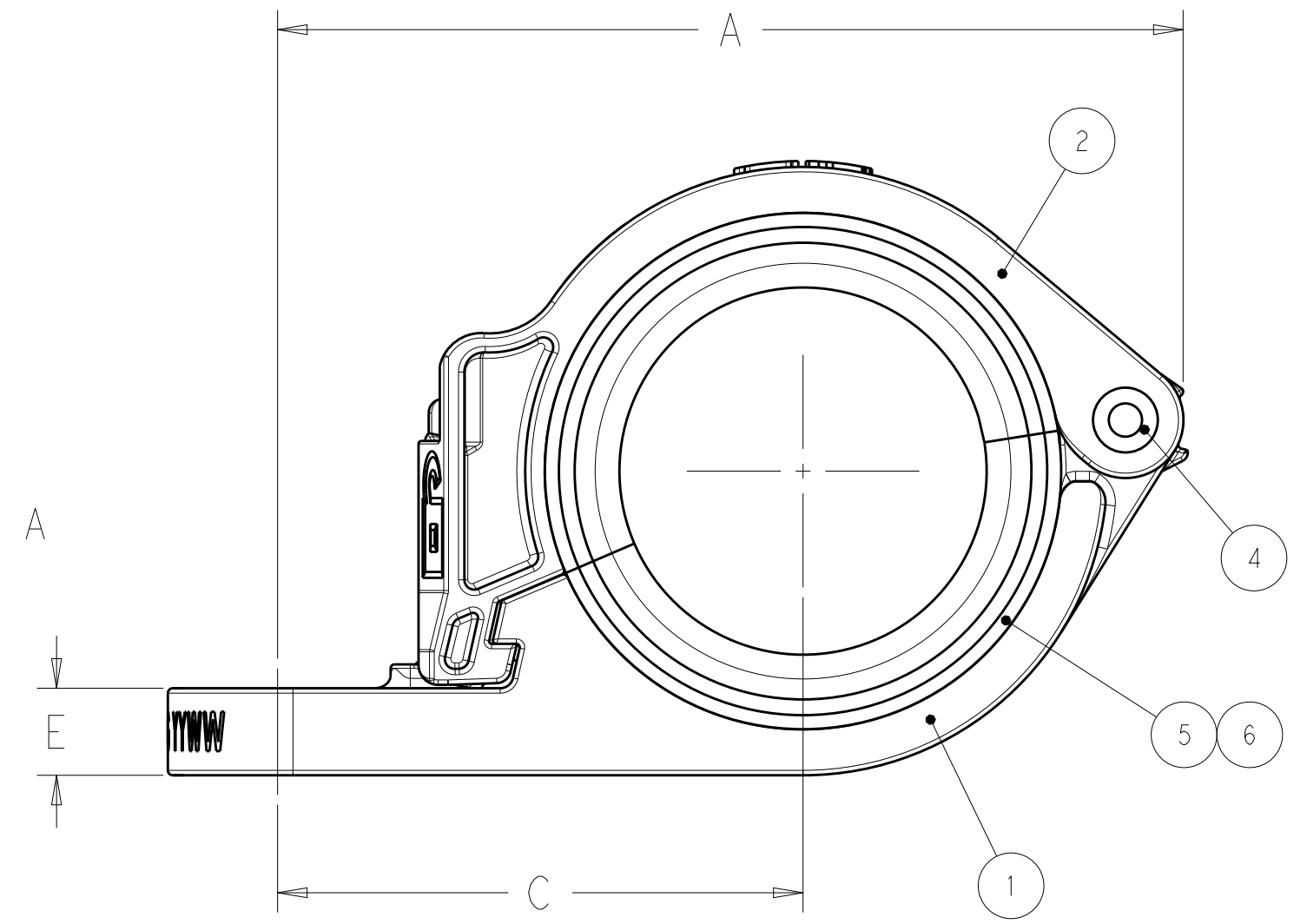
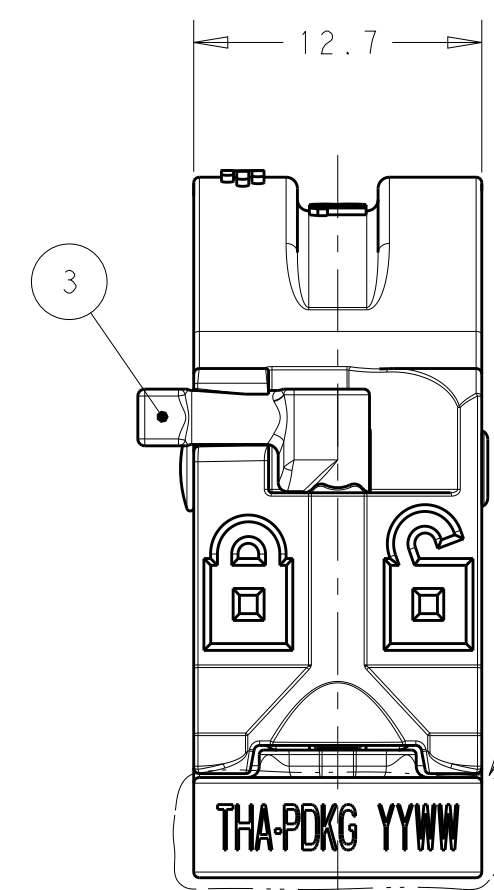
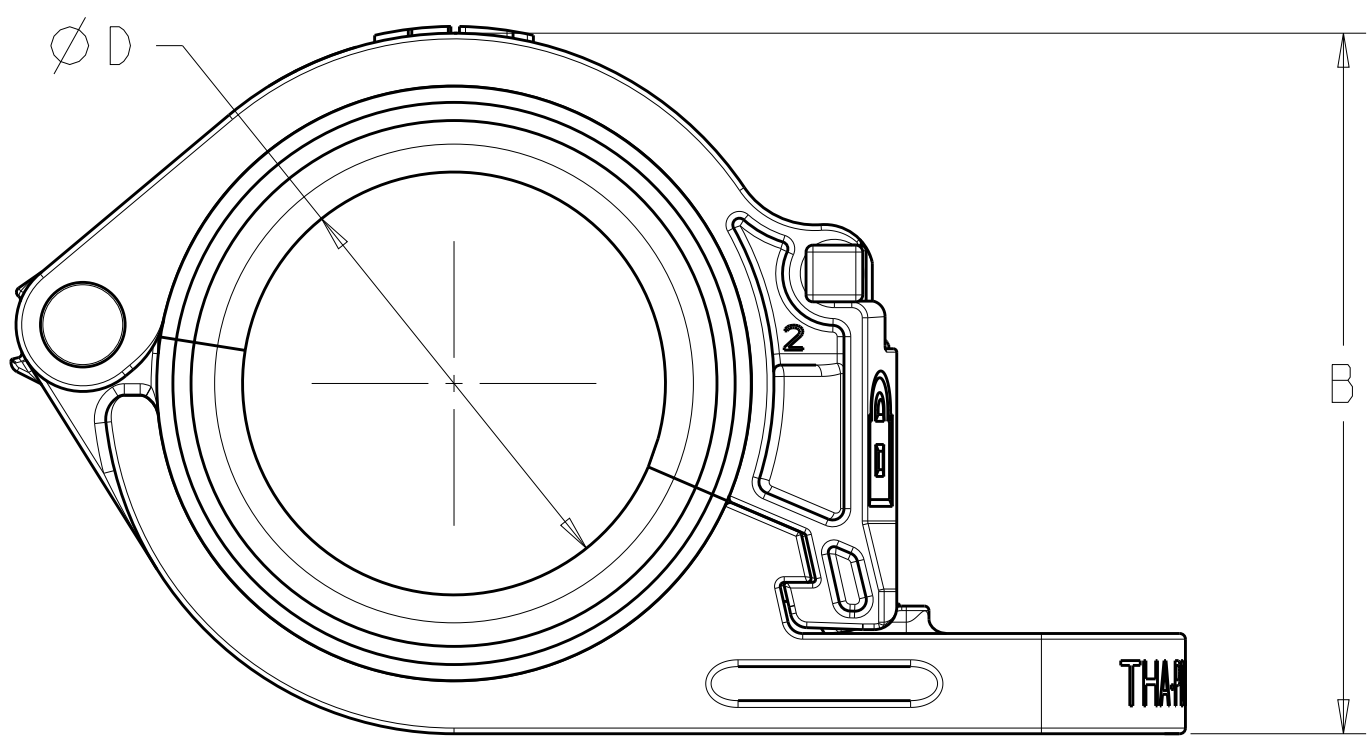
THIS DRAWING IS UNPUBLISHED. RELEASED FOR PUBLICATION  
 © COPYRIGHT 2019 BY TE CONNECTIVITY ALL RIGHTS RESERVED.

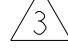




REVISIONS					
P	LTR	DESCRIPTION	DATE	DWN	APVD
A		INITIAL RELEASE PER ECO-19-006198	18-APR-19	PT	LR


MATERIAL TABLE		
ITEM	DESCRIPTION	MATERIAL
1	LOWER CLAMP	PEEK GF 30%, BLACK
2	UPPER CLAMP	PEEK GF 30%, BLACK
3	LOCKING PIN	PEEK GF 30%, NATURAL
4	PIVOT PIN	 
5	CUSHION	
6	ADHESIVE	ETHYL CYANOACRYLATE
7	PROTECTIVE COATING	CHROMATE-FREE EPOXY TOP COAT



PART AND DIMENSION TABLE						
CLAMP NO.	WEIGHT	A	B	C	Ø D (RANGE)	E
THA-PDKG-03	3.5	28.5	12.9	18.2	3.18 - 6.35	3.5
THA-PDKG-05	4.6	32.5	16.5	20.2	6.35 - 9.53	3.5
THA-PDKG-07	5.7	35.7	20.1	21.6	9.53 - 12.70	3.8
THA-PDKG-09	6.7	40.0	23.7	23.9	12.70 - 15.88	3.8
THA-PDKG-11	7.8	43.2	27.3	25.4	15.88 - 19.05	4.4
THA-PDKG-13	8.9	46.2	30.9	26.7	19.05 - 22.23	4.4
THA-PDKG-15	10.2	49.8	34.5	28.6	22.23 - 25.40	4.4
THA-PDKG-17	11.6	53.1	38.1	29.8	25.40 - 28.58	5.0
THA-PDKG-19	12.9	56.2	41.7	31.6	28.58 - 31.75	5.0
THA-PDKG-21	14.2	59.3	45.3	33.3	31.75 - 34.93	5.0

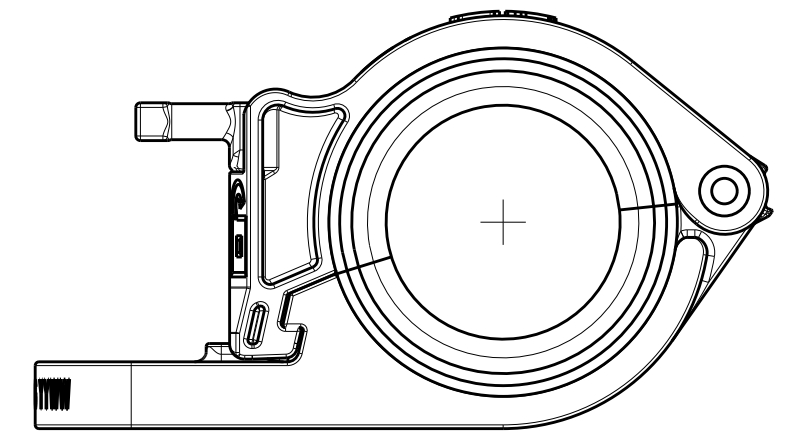
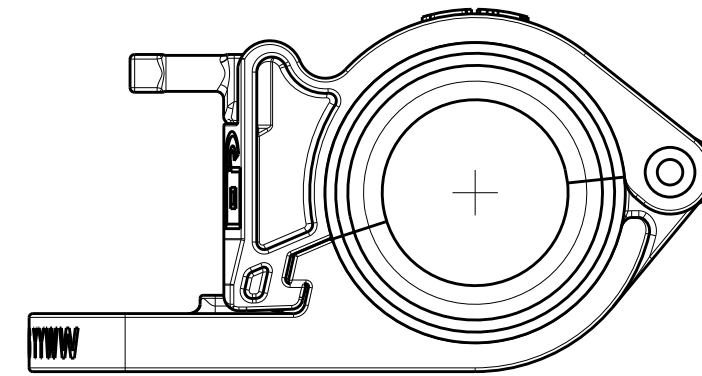
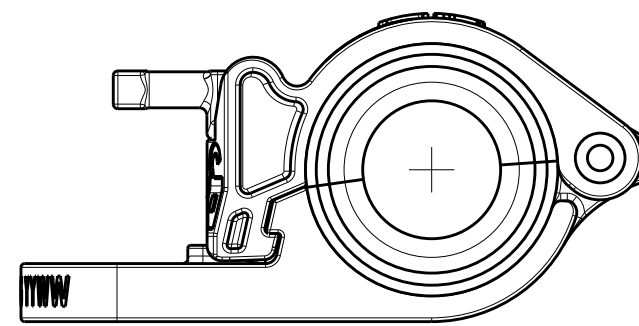
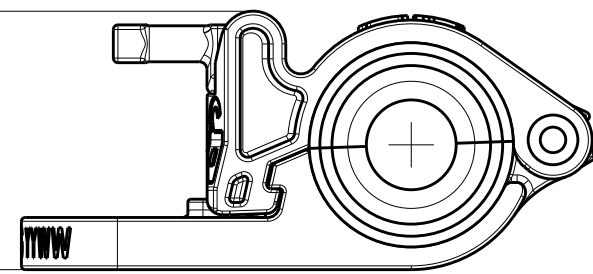
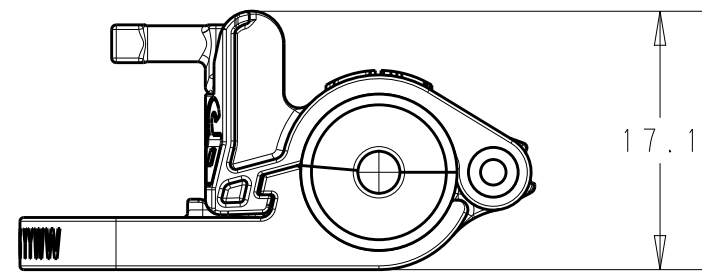
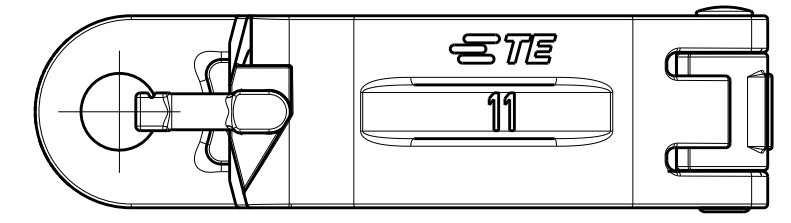
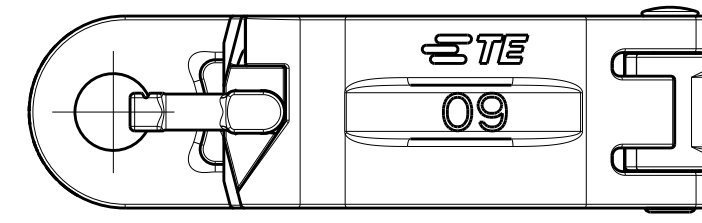
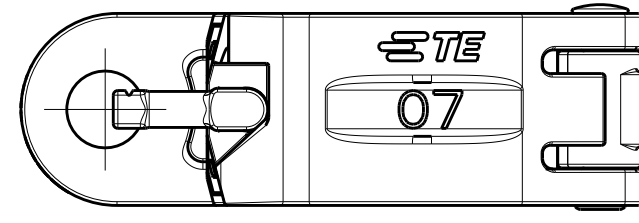
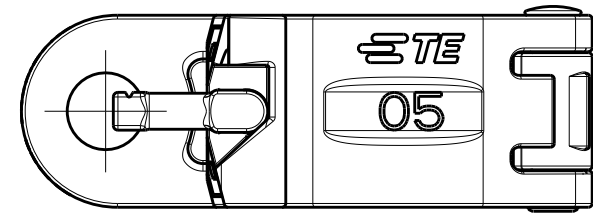
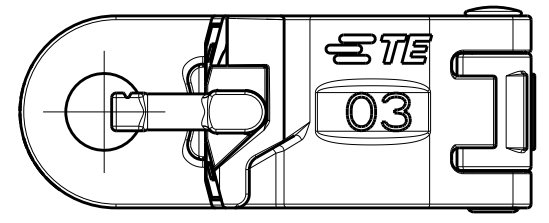


- NOTES: UNLESS OTHERWISE SPECIFIED
- ALL DIMENSIONS ARE NOMINAL
  - MATERIAL: SEE TABLE
  -  PART MARKING: CLAMP PART FAMILY WITH YEAR/WEEK CODE AS SHOWN. FONT 2 MM MINIMUM HEIGHT
  - CLAMP MEETS REQUIREMENTS OF SAE AMS23190 TYPE III, CLASS 1, EXCLUDING PHOSPHATE ESTER BASED FLUIDS (SKYDROL LD-4), OPERATING TEMPERATURE RANGE: -65°C TO 85°C
  -  CUSHION MATERIAL: CHLOROPRENE, MODIFIED. MEETS THE REQUIREMENTS OF SAE AMS3207
  -  ALUMINUM 5056-H32 PER ASTM B211-12
  -  CHEMICAL CONVERSION COATING PER MIL-DTL-5541, TYPE II, CLASS 1A, CLEAR
  -  CLAMP SIZE IDENTIFICATION

THIS DRAWING IS A CONTROLLED DOCUMENT.		DWN PTALLY	26MAR2019	 TE Connectivity	
DIMENSIONS: mm		CHK -	-		
TOLERANCES UNLESS OTHERWISE SPECIFIED:		APVD L RODRIGUEZ	18APR2019	NAME COMPOSITE P-CLAMP, SIZE 03 THRU 21, DUAL CUSHION	
0 PLC ±		PRODUCT SPEC		SIZE	
1 PLC ±0.3		APPLICATION SPEC		CAGE CODE	
2 PLC ±0.13		-		DRAWING NO	
3 PLC ±0.025		-		RESTRICTED TO	
4 PLC ±		-		A206090	
ANGLES ±		-		C-THA-PDKG-XX	
FINISH ±		-		SCALE 3:1	
MATERIAL SEE TABLE		WEIGHT GRAM		SHEET 1 OF 2	
-		CUSTOMER DRAWING		REV A1	

THIS DRAWING IS UNPUBLISHED. RELEASED FOR PUBLICATION  
 © COPYRIGHT 2019 BY - TE CONNECTIVITY ALL RIGHTS RESERVED.

REVISIONS				
P	LTR	DESCRIPTION	DATE	APVD



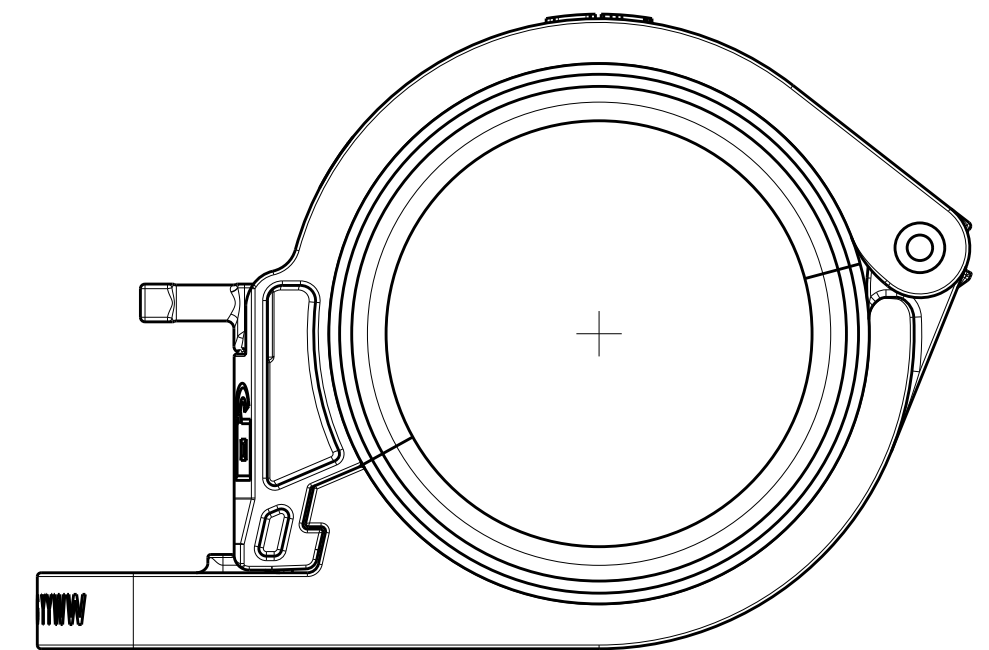
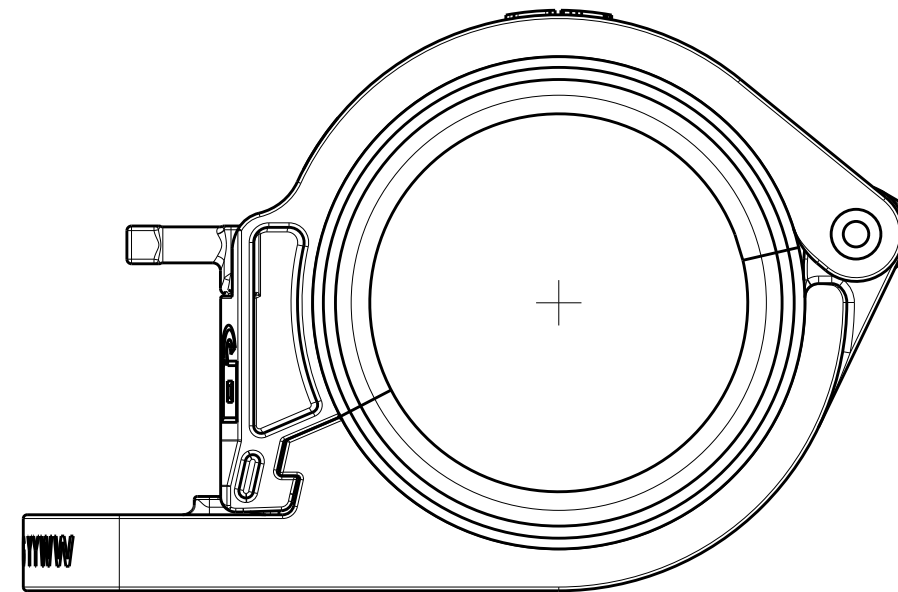
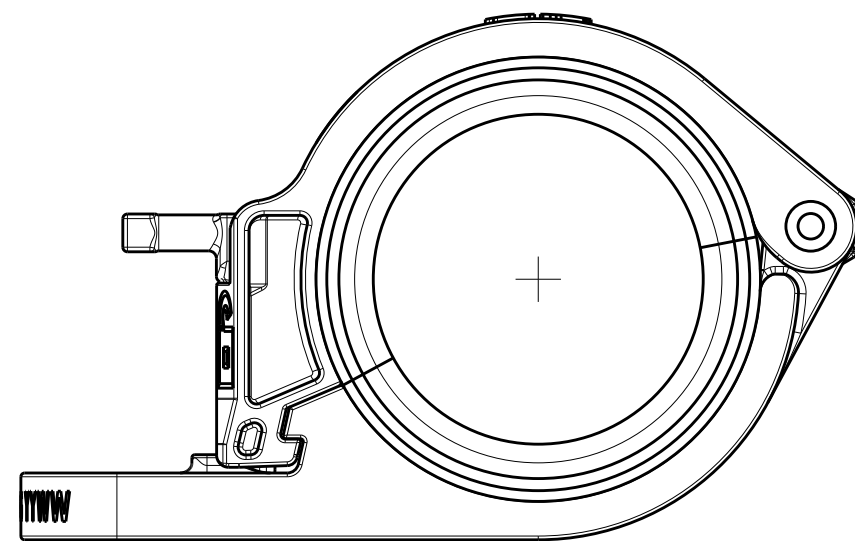
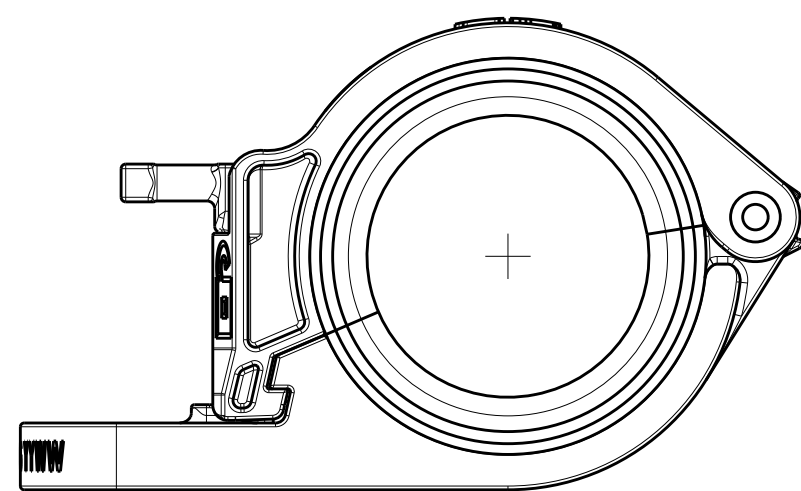
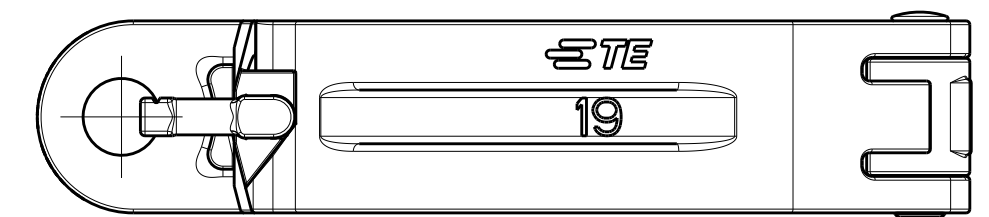
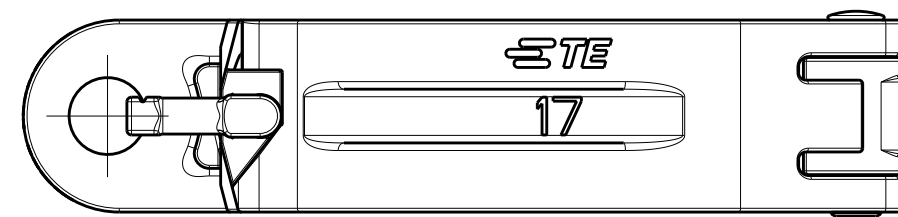
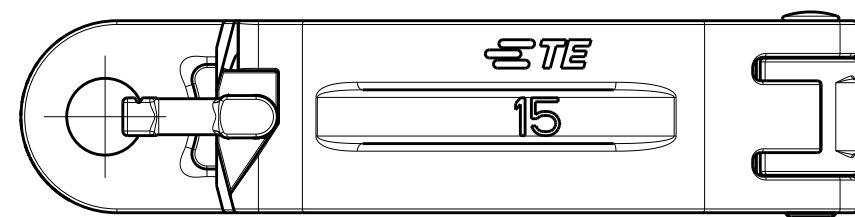
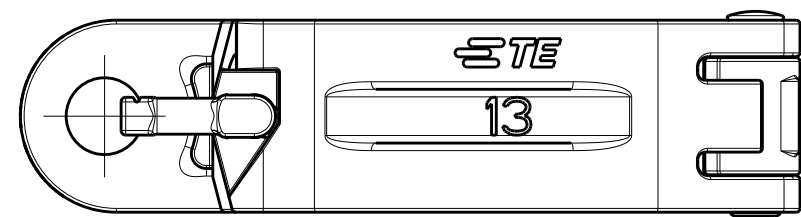
SIZE 03

SIZE 05

SIZE 07

SIZE 09

SIZE 11

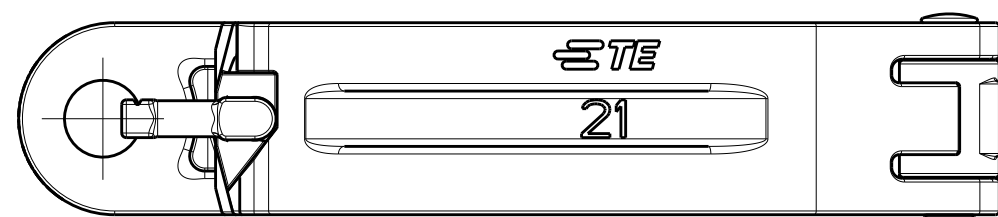
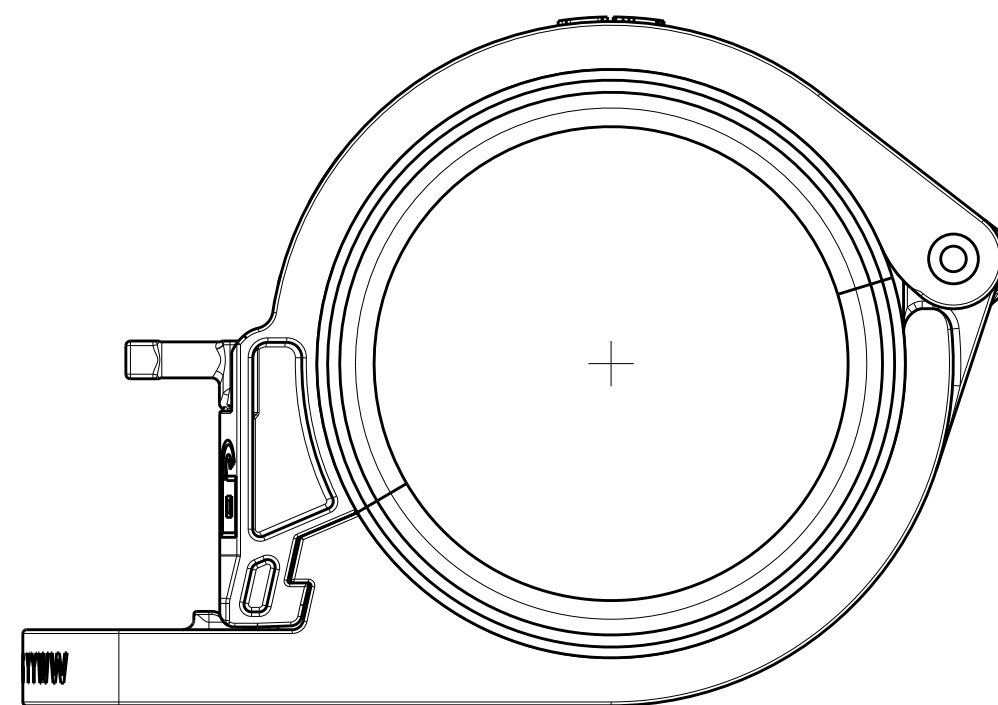


SIZE 13

SIZE 15

SIZE 17

SIZE 19



SIZE 21

THIS DRAWING IS A CONTROLLED DOCUMENT.		DWN PTALLY 26MAR2019	TE Connectivity	
DIMENSIONS: mm		CHK -		
TOLERANCES UNLESS OTHERWISE SPECIFIED:		APVD L RODRIGUEZ 18APR2019	NAME COMPOSITE P-CLAMP, SIZE 03 THRU 21, DUAL CUSHION	
0 PLC ±		PRODUCT SPEC -	SIZE CAGE CODE DRAWING NO RESTRICTED TO	
1 PLC ±0.3		APPLICATION SPEC -	A206090 C-THA-PDKG-XX	
2 PLC ±0.13		WEIGHT GRAM	SCALE 1:1 SHEET 2 OF 2 REV A1	
3 PLC ±0.025		CUSTOMER DRAWING		
4 PLC ±				
ANGLES ±				
FINISH ±				
MATERIAL SEE TABLE				