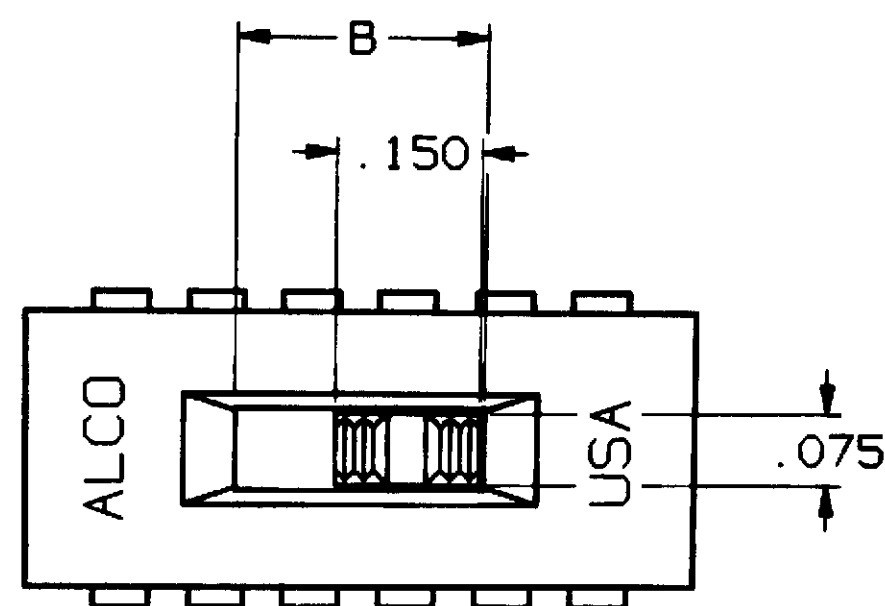
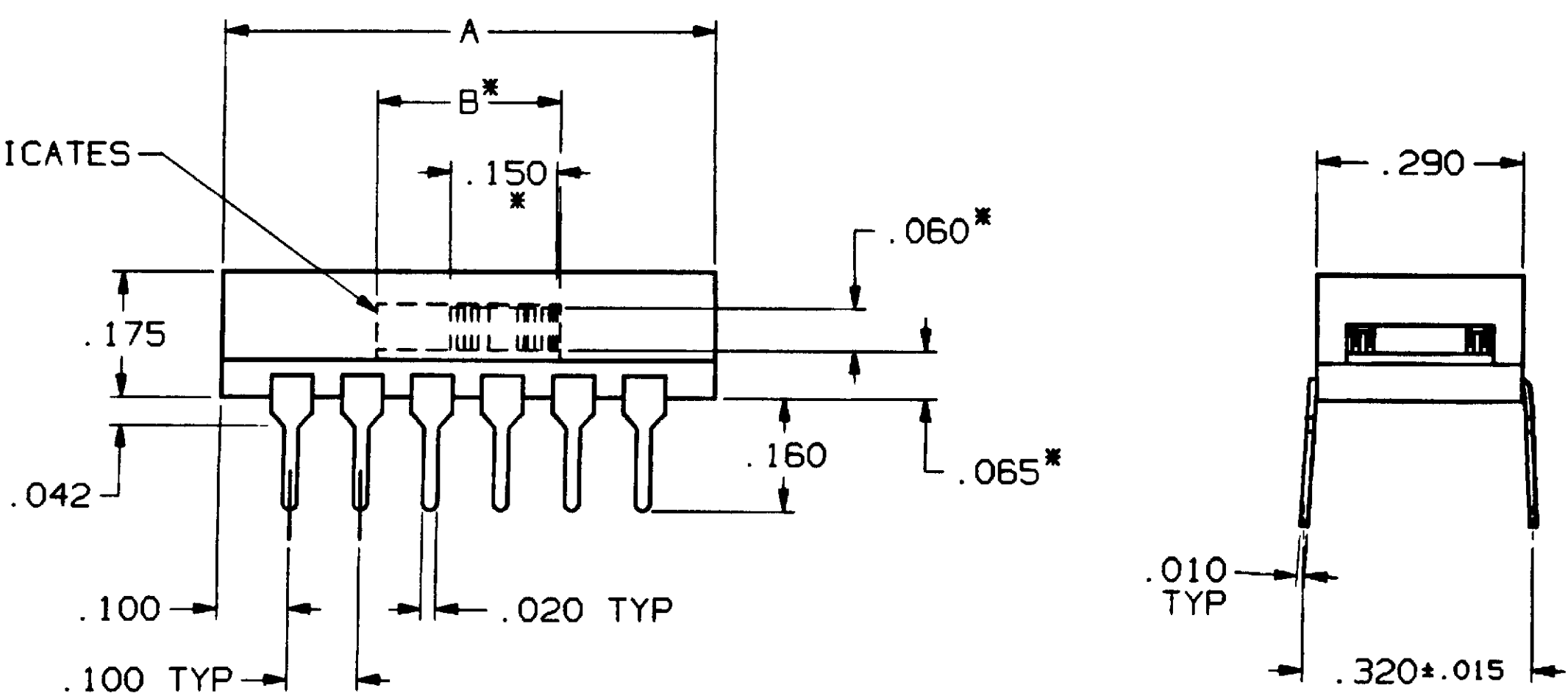


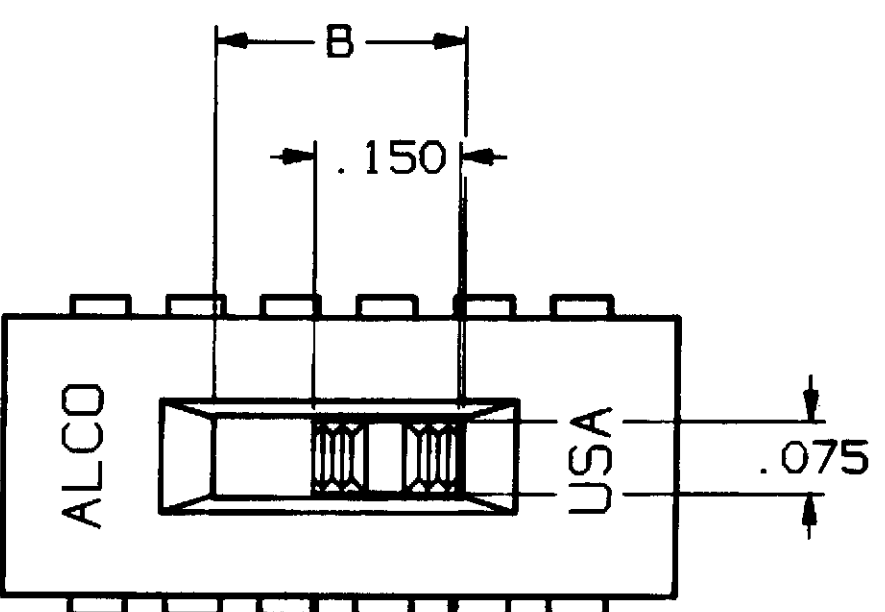
CONVERSION CHART	
INCH	MM
.002	0.05
.010	0.25
.015	0.38
.020	0.51
.031	0.79
.042	1.07
.050	1.27
.055	1.40
.060	1.52
.065	1.65
.075	1.91
.100	2.54
.105	2.67
.110	2.79
.150	3.81
.160	4.06
.175	4.45
.178	4.52
.180	4.57
.200	5.08
.205	5.21
.230	5.84
.260	6.60
.290	7.37
.300	7.62
.320	8.13
.360	9.14
.400	10.16
.500	12.70
.700	17.78
.800	20.32
.900	22.86
1.000	25.40
1.100	27.94



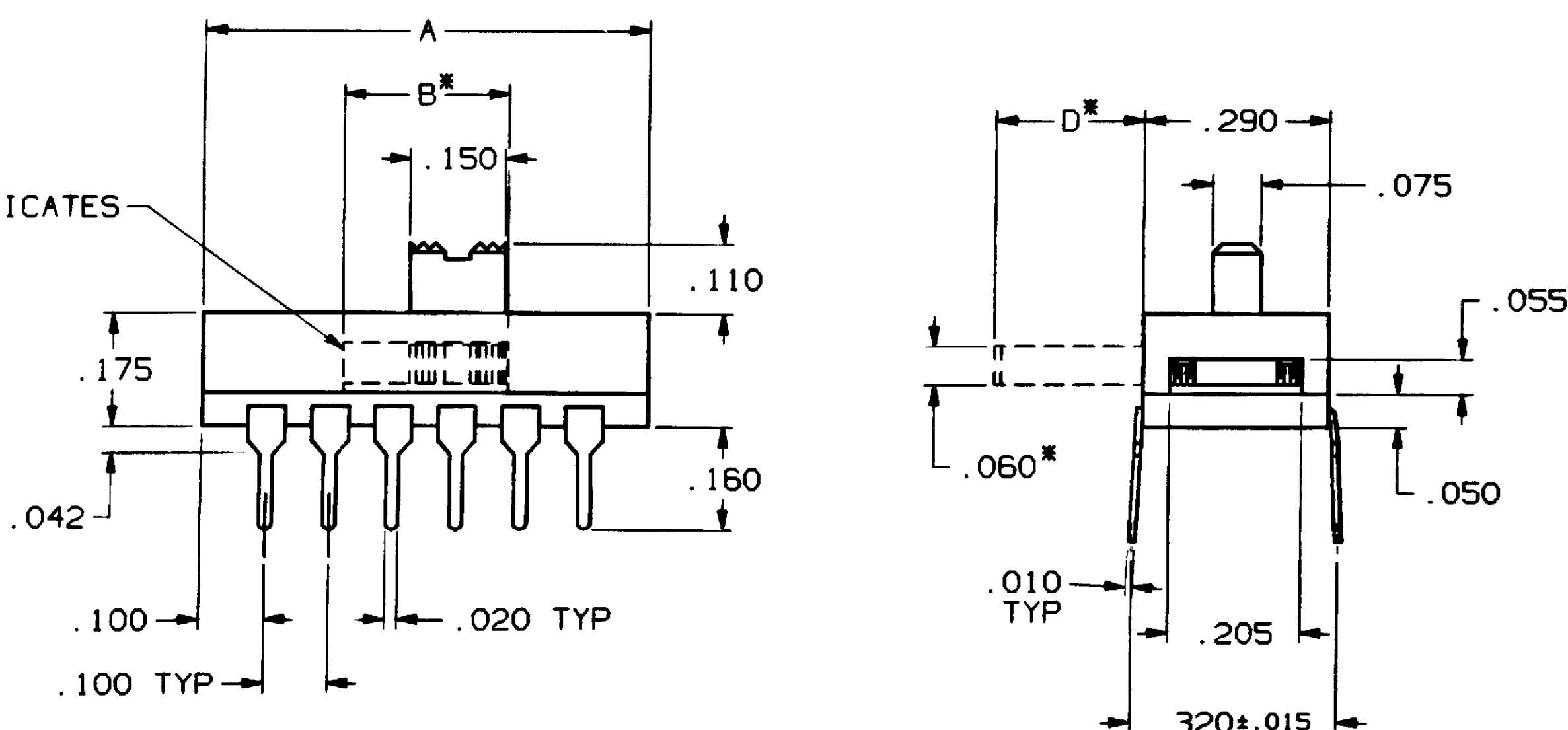
* SIDE ACTUATOR ONLY.



ASF



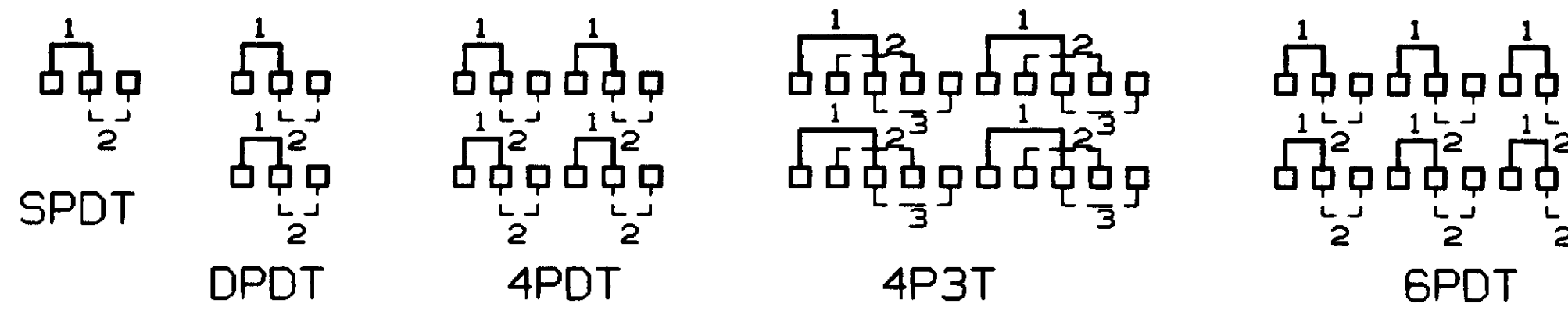
* SIDE ACTUATOR ONLY.



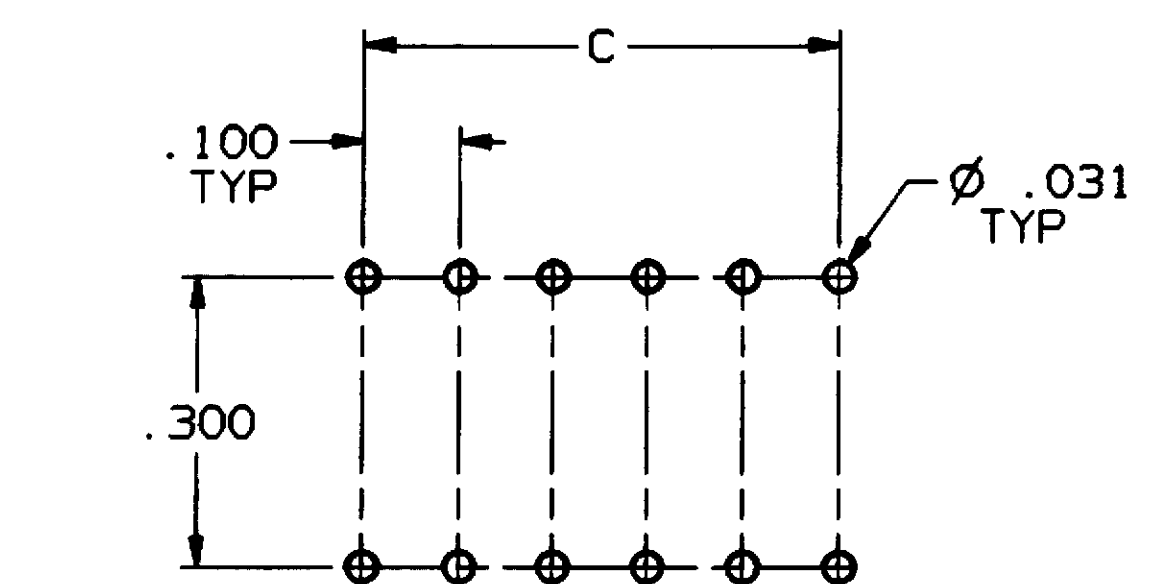
ASE

AS* - 43****	1.100	.360	.900	.230
AS* - 62****	1.000	.260	.800	.230
AS* - 42****	.700	.260	.500	.230
AS* - 22****	.400	.260	.200	.105
AS* - 12****	.400	.260	.200	.105
SWITCH NO.	DIM A	DIM B	DIM C	DIM D

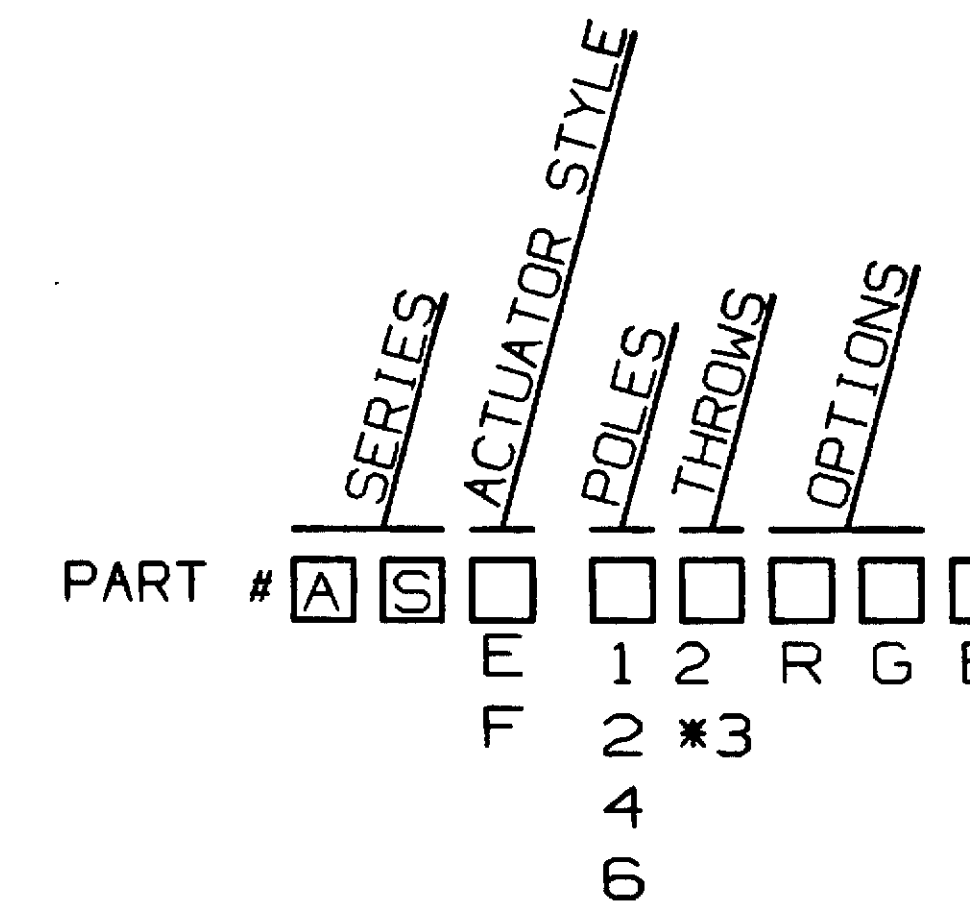
* = OPTIONS (SEE CHART)



CIRCUIT DIAGRAMS



RECOMMENDED HOLE LAYOUT
TOLERANCE ±.002 UNLESS OTHERWISE NOTED



- E = EXTENDED ACTUATOR
- F = FLUSH ACTUATOR
- *3 = THROW AVAILABLE IN 4 POLE ONLY
- R = SIDE ACTUATOR
- G = GOLD OVER NICKEL OVER COPPER ALLOY CONTACTS AND TERMINALS (SILVER OVER NICKEL OVER COPPER ALLOY IS STANDARD)
- B = BLACK ACTUATOR (WHITE IS STANDARD)

SPECIFICATIONS:

MATERIAL:
CASE: POLYESTER.
COVER: POLYESTER.
ACTUATOR: POLYESTER.
MOVING CONTACT: SEE BELOW.
FIXED CONTACT: SEE BELOW.
TERMINALS: SEE BELOW.

ELECTRICAL:
CONTACT RATING: SILVER: 300 MILLIAMPS @ 115 VAC.
GOLD: 0.4 VA MAX. @ 20 VDC OR PEAK AC.
INITIAL CONTACT RESISTANCE: 40 MILLIOHMS MAX.
INSULATION RESISTANCE: 1000 MEGOHMS MIN. @ 500 VDC.
DIELECTRIC STRENGTH: 1000 VAC.
LIFE EXPECTANCY: 10,000 CYCLES MIN.

MECHANICAL:
ACTUATION FORCE: AFTER TWO CYCLES, 850g ±150g.

ENVIRONMENTAL:
OPERATING TEMPERATURE: -40°F TO +176°F (-40°C TO +80°C).
STORAGE TEMPERATURE: -40°F TO +176°F (-40°C TO +80°C).

NOTES:

1. INTERPRET DRAWING PER ASME Y14.5M-1994.
2. ALL SWITCHES HAVE OPEN ENDS EXCEPT TOP FLUSH ACTUATOR, WHICH COMES STANDARD WITH TAPE SEAL.

REV	A	B	C	D	E	F	G	H	J	11	12
REVISED	ECOM 2390 PS 5-8-86 APP'D: J.T.	ECOM 2737 PS 10-2-87 APP'D: J.T.	ECOM 2749 PS 10-29-87 APP'D: J.T.	ECOM 2917 PS 6-28-88 APP'D: J.T.	ECOM 3130 TH 2-14-89 APP'D: J.T.	ECOM 3166 TH 3-6-89 APP'D: J.T.	ECOM 3330 TH 6-15-89 APP'D: J.T.	ECOM 3372 TH 4-14-89 APP'D: J.T.	ECOM 3516 TH 11-6-89 APP'D: J.T.	REVISED ECOM 269-93 G.T. 5-10-93 APP'D:	REVISED & REDRAWN ECOM 394-95 APP'D:

OUTLINE DRAWING				SPECIFICATIONS ARE SUBJECT TO CHANGES WITHOUT NOTICE	
THIRD ANGLE PROJECTION TOLERANCES (EXCEPT AS NOTED) ANGULAR = ±1° DECIMAL .XX = ±.010 DECIMAL .XXX = ±.010 DECIMAL .XXXX = ±.010		UNLESS OTHERWISE SPECIFIED DIMENSIONS ARE IN INCHES DO NOT SCALE PRINT FILE NAME: 40213OUT DIRECTORY: SLOSMTCH MATERIAL: SEE SPECIFICATIONS FINISH: SEE SPECIFICATIONS	ORIGINAL DATE OF DRAWING: 10-10 DRAWN: T.H. CHECKED: T.H. APPROVED: <i>W. Page</i> CODE IDENT. NO. 91506 DATE: 6/28/95 DWG. SIZE: D NEXT ASSY:	THIS IS A C.A.D. GENERATED DRAWING. DO NOT MAKE MANUAL REVISIONS TO MASTER.	
AUGAT INC. 452 JOHN DIETSCH BLVD. ATTLEBORO FALLS, MASS. 02763		TITLE: OUTLINE DRAWING ASE/F PC MOUNTING		DWG. NO. 40213-SD	REV. 12
ALGAT CONFIDENTIAL This document contains information which is the exclusive property of Augat Inc. Distribution, reproduction or use by others is not permitted without the expressed written consent of Augat Inc.		SCALE:		SHEET 1 OF 1	