

Distributed by:

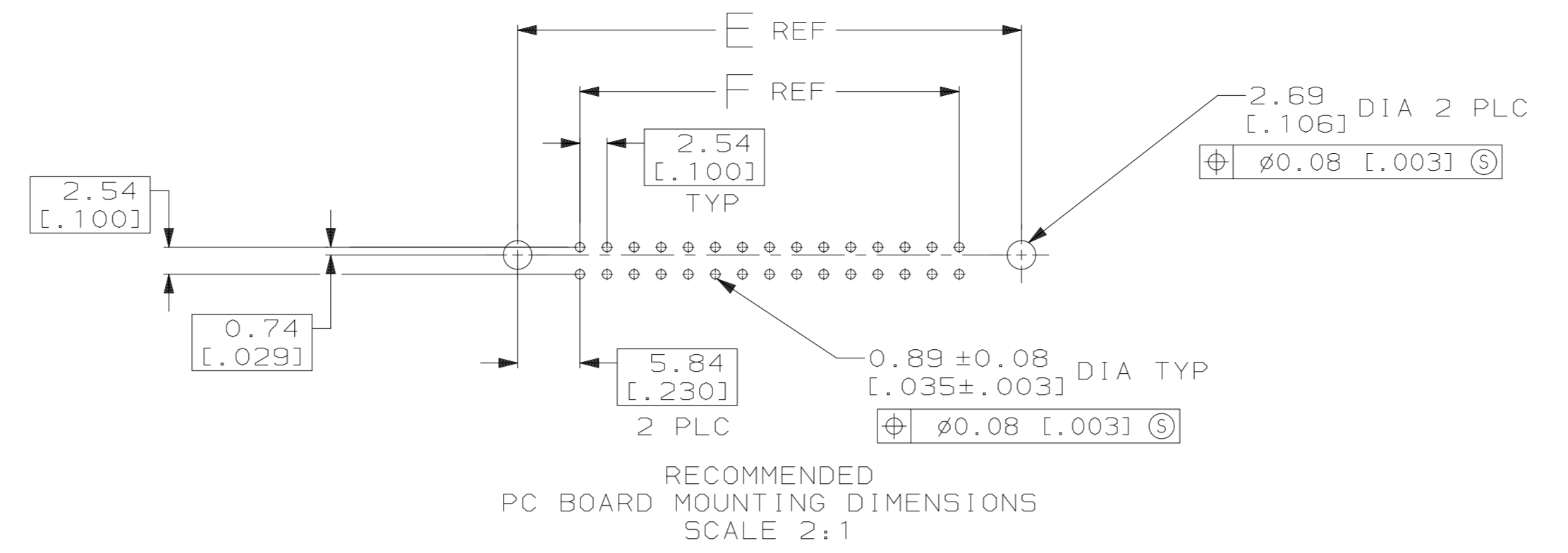
**JAMECO**<sup>®</sup>  
ELECTRONICS

**www.Jameco.com ♦ 1-800-831-4242**

The content and copyrights of the attached  
material are the property of its owner.

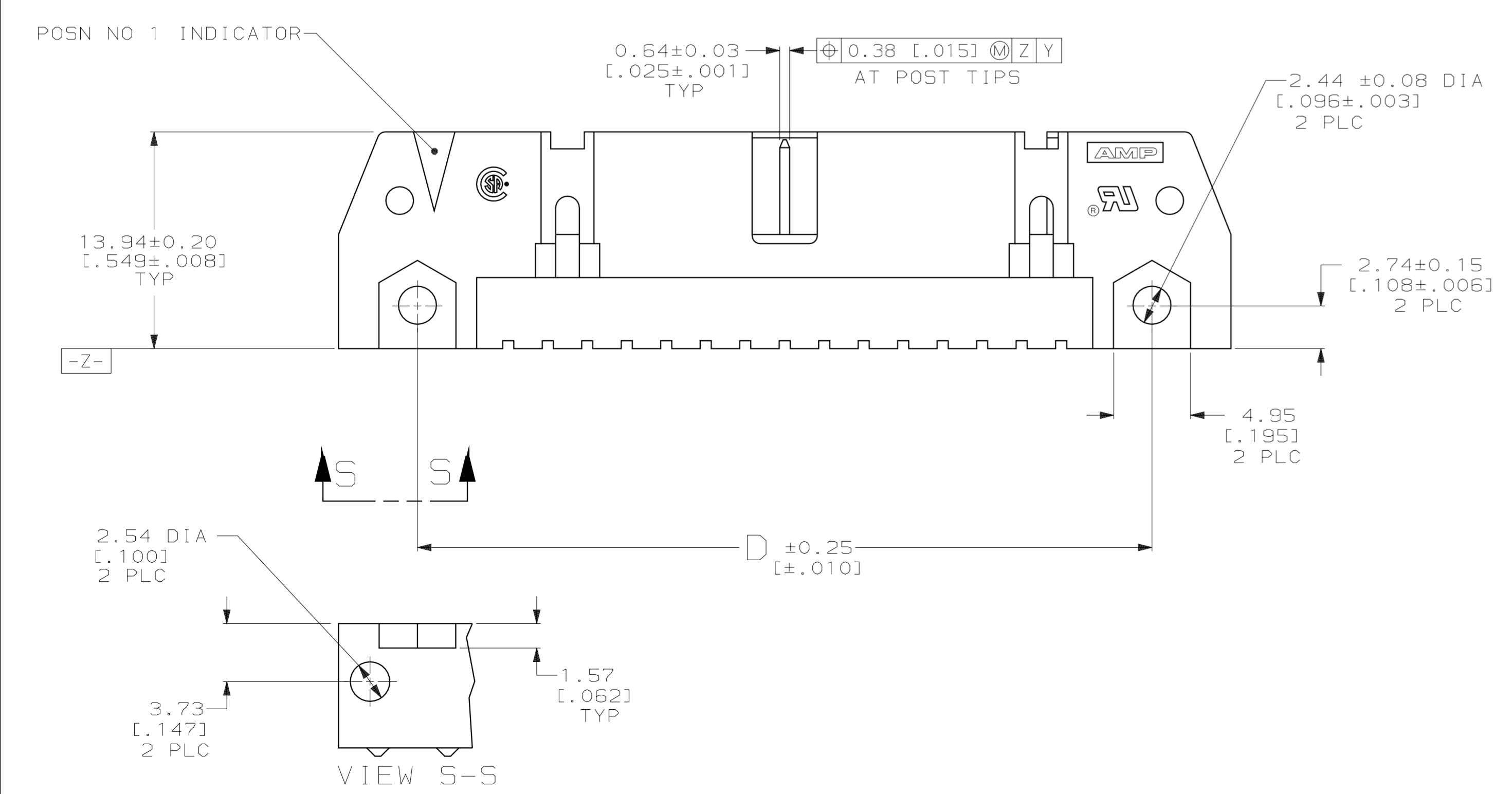
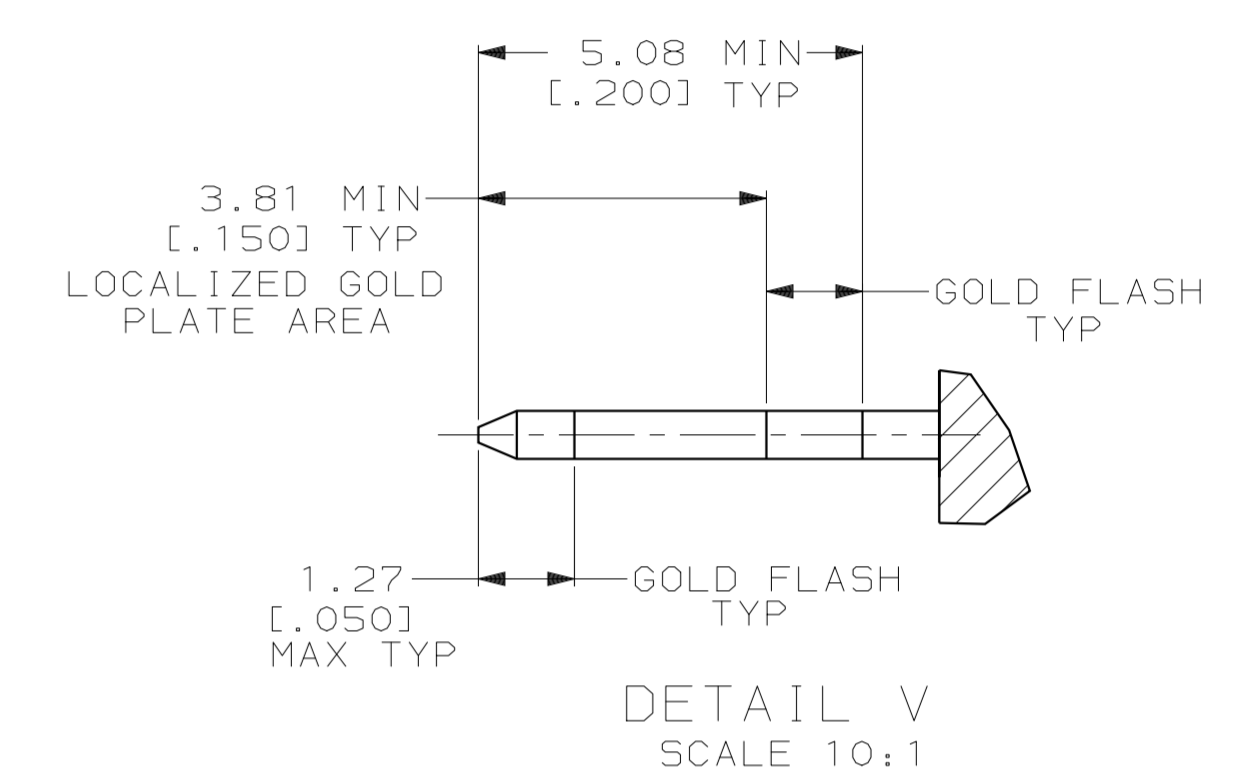
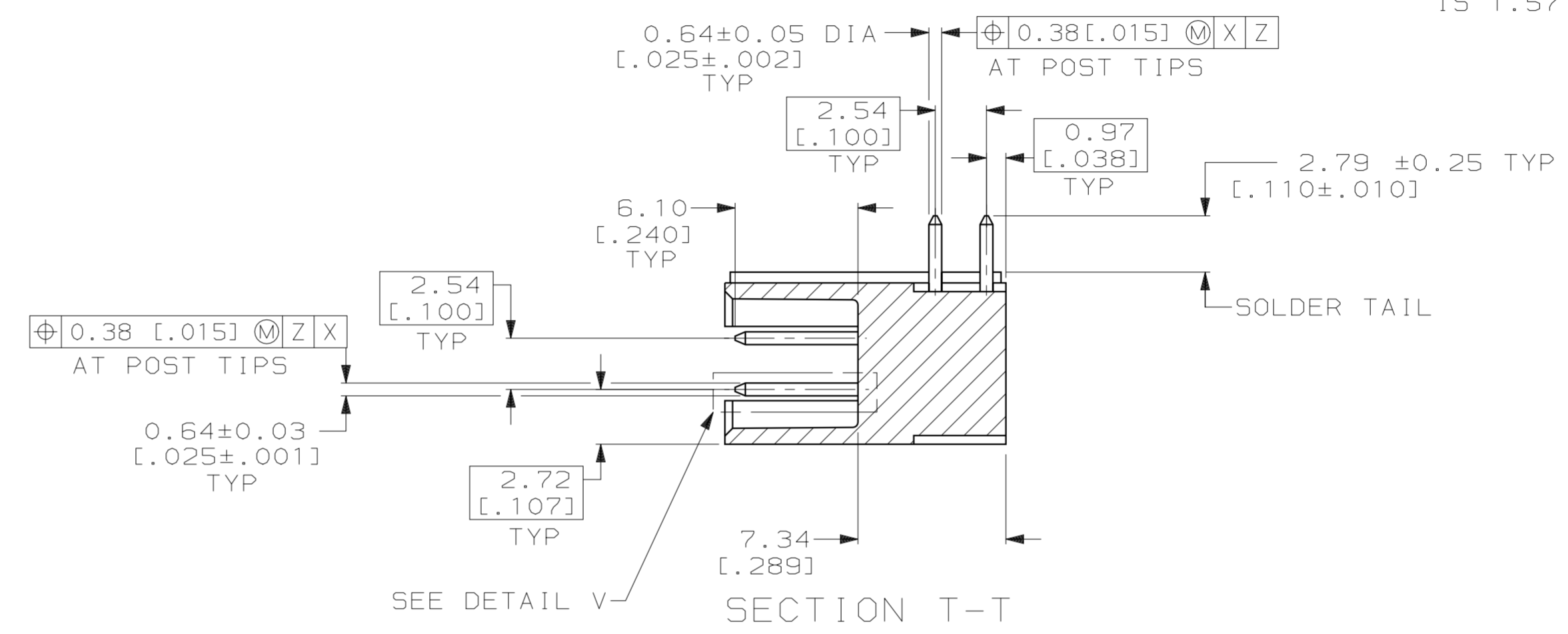
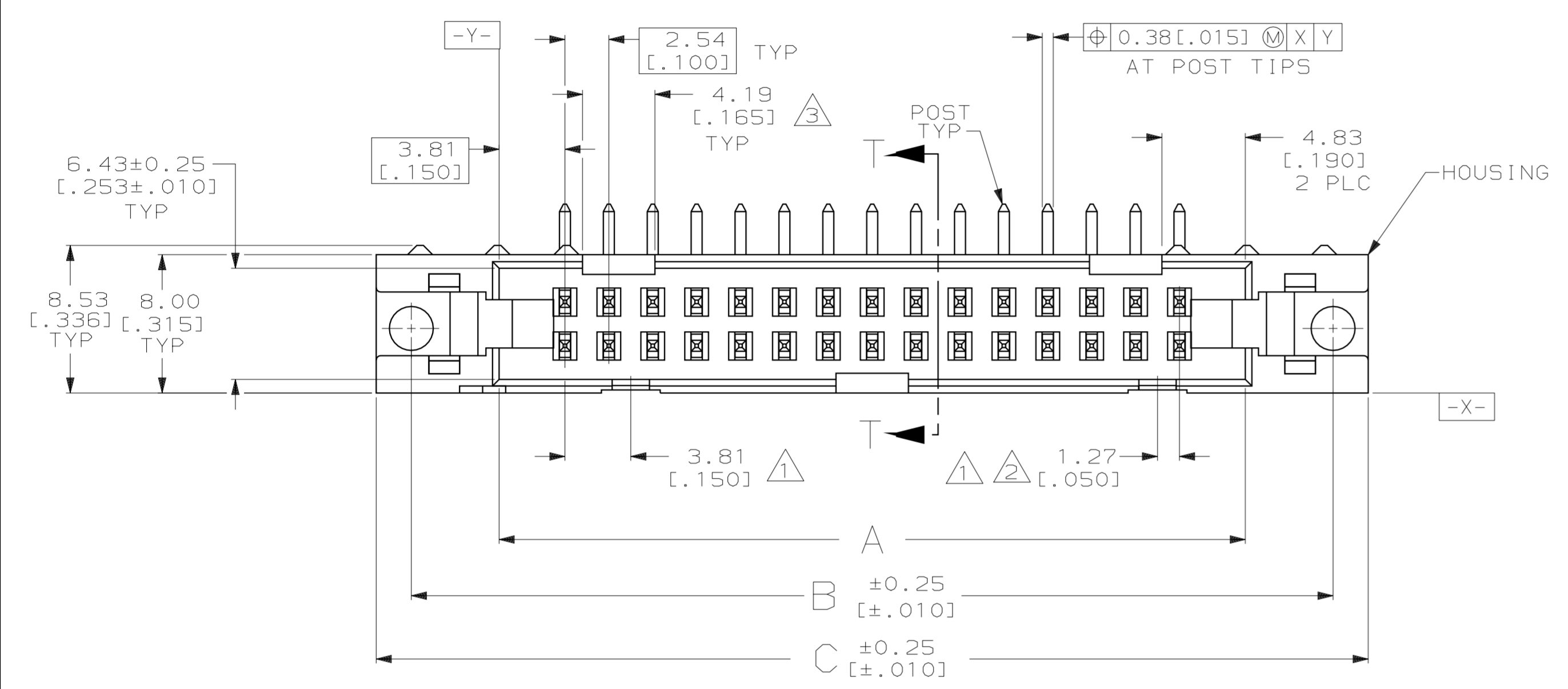
Jameco Part Number 737070

LOC		DIST		P		ZONE		LTR		REVISIONS		
GP	00									DESCRIPTION	DATE	APPD
									J	REV PER EC 0513-0347-05	20MAR06	SB



RECOMMENDED  
PC BOARD MOUNTING DIMENSIONS  
SCALE 2:1

- 1 COORDINATE DIMENSION APPLIES FROM BASIC LOCATION.
- 2 10 AND 14 POSITION SIZES CONTAIN ONLY ONE SLOT FOR SNAP-IN POLARIZER (MILITARY POLARIZATION) LOCATED AS SHOWN.
- 3 10 POSITION SIZES CONTAIN ONLY ONE SLOT FOR DUAL POLARIZATION, LOCATED AS SHOWN.
- 4. RECOMMENDED PRINTED CIRCUIT BOARD THICKNESS IS 1.57 [0.062].



VIEW S-S

OBSOLETE	53.34	65.02	65.02	75.18	71.12	60.96	44	1-102159-3
	[2.100]	[2.560]	[2.560]	[2.960]	[2.800]	[2.400]	64	1-102159-2
	78.74	90.42	90.42	100.58	96.52	86.36	60	1-102159-1
	[3.100]	[3.560]	[3.560]	[3.960]	[3.800]	[3.400]	50	1-102159-0
OBSOLETE	73.66	85.34	85.34	95.50	91.44	81.28	40	102159-9
	[2.900]	[3.360]	[3.360]	[3.760]	[3.600]	[3.200]	34	102159-8
	60.96	72.64	72.64	82.80	78.74	68.58	30	102159-7
	[2.400]	[2.860]	[2.860]	[3.260]	[3.100]	[2.700]	26	102159-6
OBSOLETE	48.26	59.94	59.94	70.10	66.04	55.88	24	102159-5
	[1.900]	[2.360]	[2.360]	[2.760]	[2.600]	[2.200]	20	102159-4
	40.64	52.32	52.32	62.48	58.42	48.26	16	102159-3
	[1.600]	[2.060]	[2.060]	[2.460]	[2.300]	[1.900]	14	102159-2
OBSOLETE	35.56	47.24	47.24	57.40	53.34	43.18	10	102159-1
	[1.400]	[1.860]	[1.860]	[2.260]	[2.100]	[1.700]		
	30.48	42.16	42.16	52.32	48.26	38.10		
	[1.200]	[1.660]	[1.660]	[2.060]	[1.900]	[1.500]		
OBSOLETE	27.94	39.62	39.62	49.78	45.72	35.56		
	[1.100]	[1.560]	[1.560]	[1.960]	[1.800]	[1.400]		
	22.86	34.54	34.54	44.70	40.64	30.48		
	[0.900]	[1.360]	[1.360]	[1.760]	[1.600]	[1.200]		
OBSOLETE	17.78	29.46	29.46	39.62	35.56	25.40		
	[0.700]	[1.160]	[1.160]	[1.560]	[1.400]	[1.000]		
	15.24	26.92	26.92	37.08	33.02	22.86		
	[0.600]	[1.060]	[1.060]	[1.460]	[1.300]	[0.900]		
OBSOLETE	10.16	21.84	21.84	32.00	27.94	17.78		
	[0.400]	[0.860]	[0.860]	[1.260]	[1.100]	[0.700]		
	F	E	D	C	B	A	NO OF POSN	PART NUMBER

DO NOT SCALE PRINT. UNLESS SPECIFIED DIMENSIONS IN mm [INCHES]		PART NO	
TOLERANCES: ON:	DR 4-23-90 H.MOLL	AMP INCORPORATED Harrisburg, Pa. 17105	
2 PLC DEC ± 0.13 [0.05]	CHK 11/28/90 R.STONE	NAME	
3 PLC DEC ± -	APPD 11/29/90 S.GOOD	102159	
ANGLES ± -	APPD 11/26/90 D.HOFFMAN	PRODUCT SPEC	
MATERIAL HOUSING: GLASS FILLED NYLON OR POLYESTER, 94V-0 RATED; BLACK		108-40018	
POSTS: PH BRZ	APPLICATION SPEC	SIZE	CAGE CODE
		D	00779
FINISH POSTS: 0.38µm [0.000015] MIN GOLD ON LOCALIZED GOLD PLATE AREA, 2.54µm [0.000100] MIN BRIGHT TIN-LEAD ON SOLDER TAIL, ALL OVER 1.27µm [0.000050] MIN NICKEL ON ENTIRE POST	WEIGHT -	SCALE	DRAWING NO
		4:1	102159
			SHEET 1 OF 1