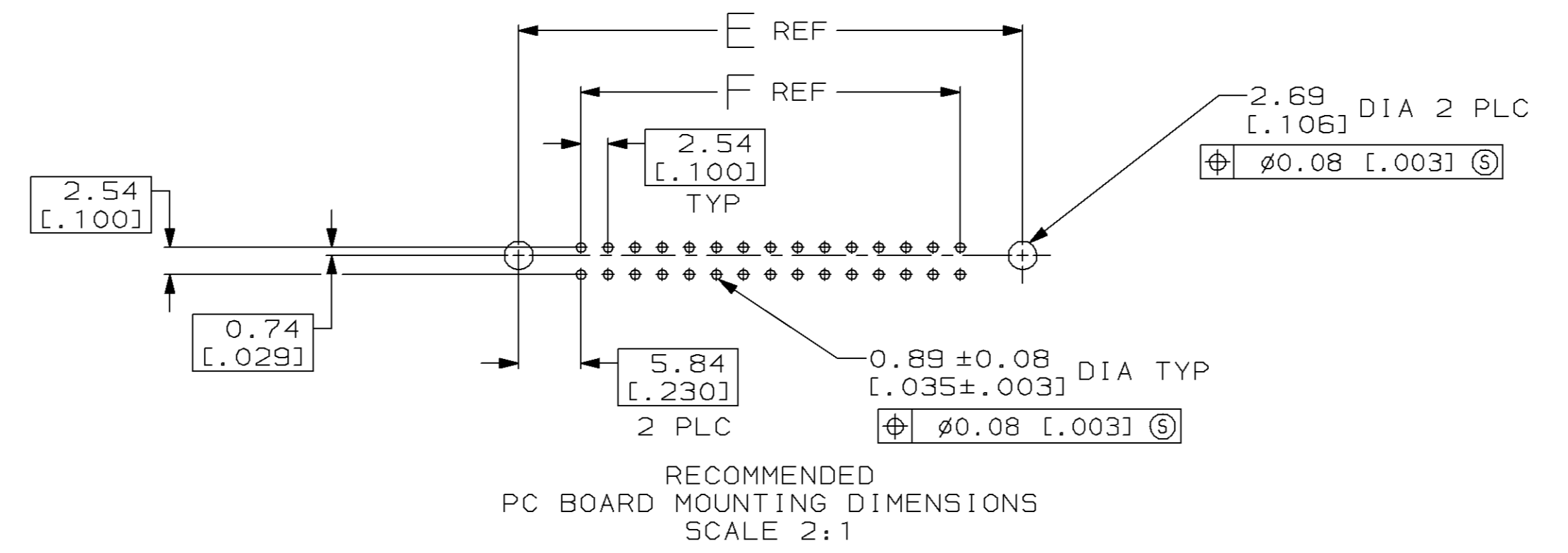
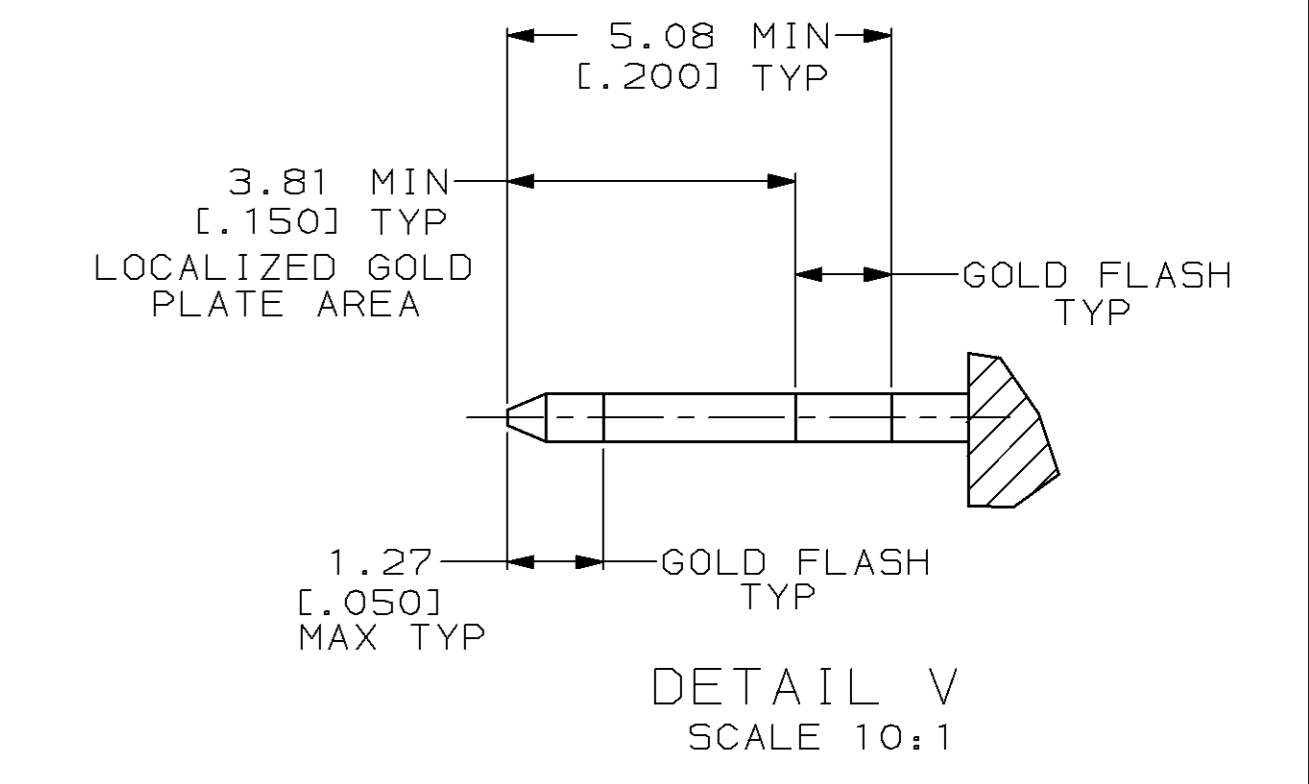
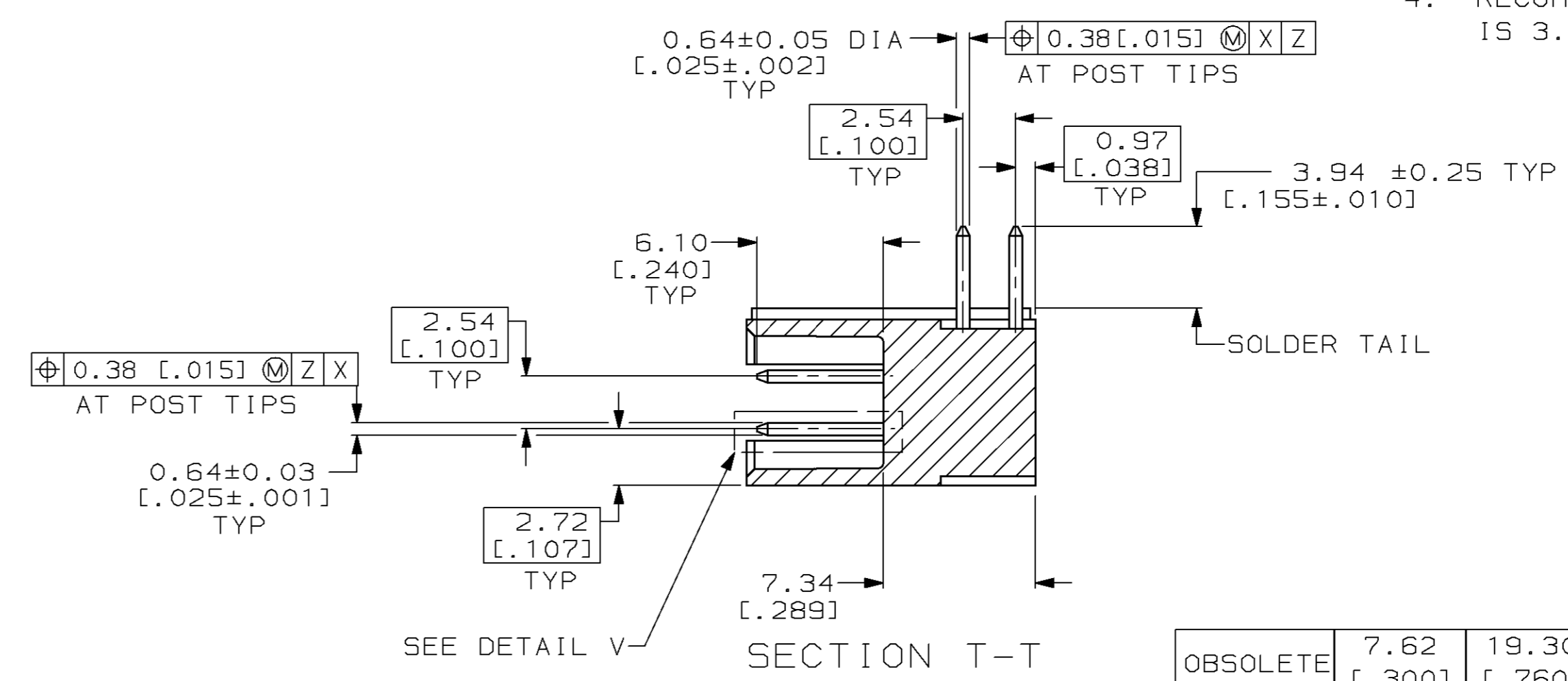
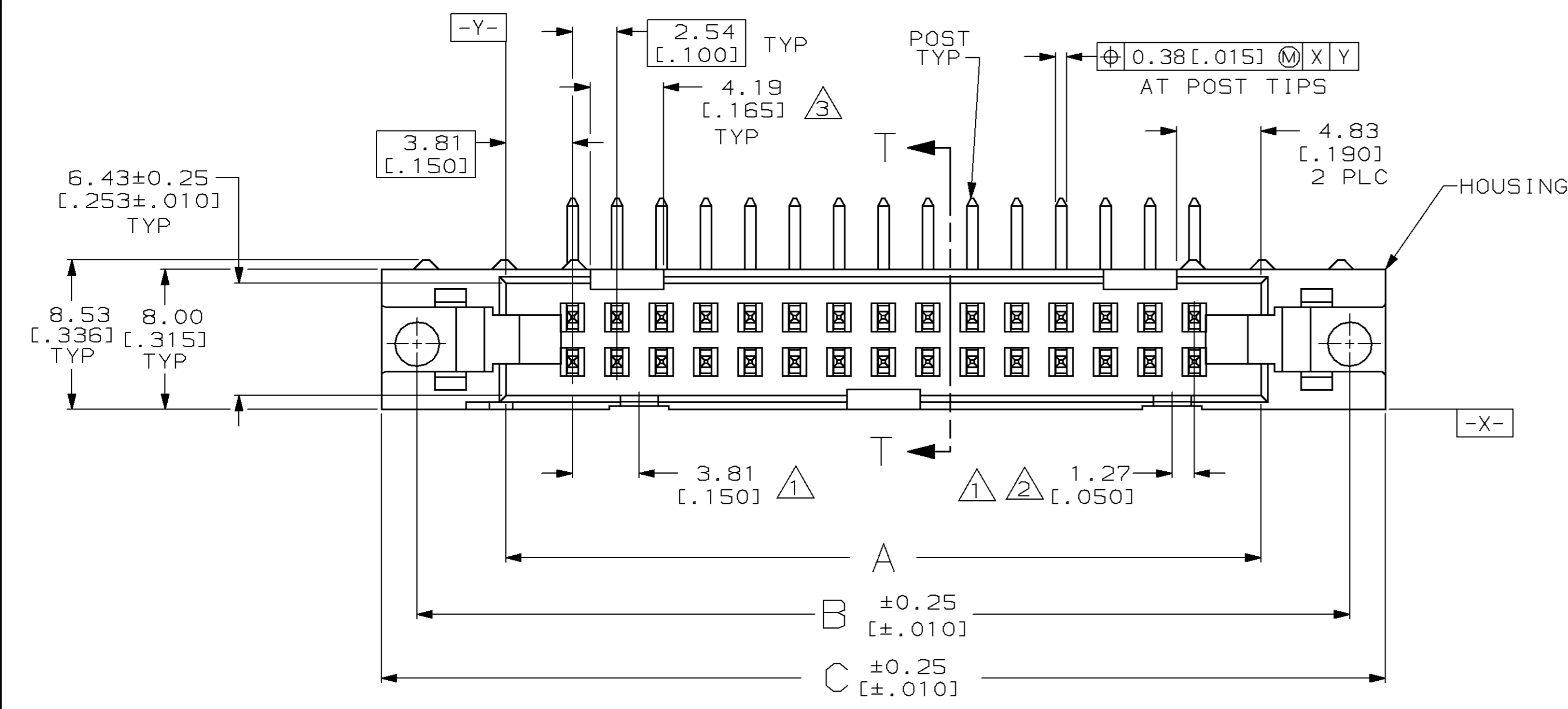


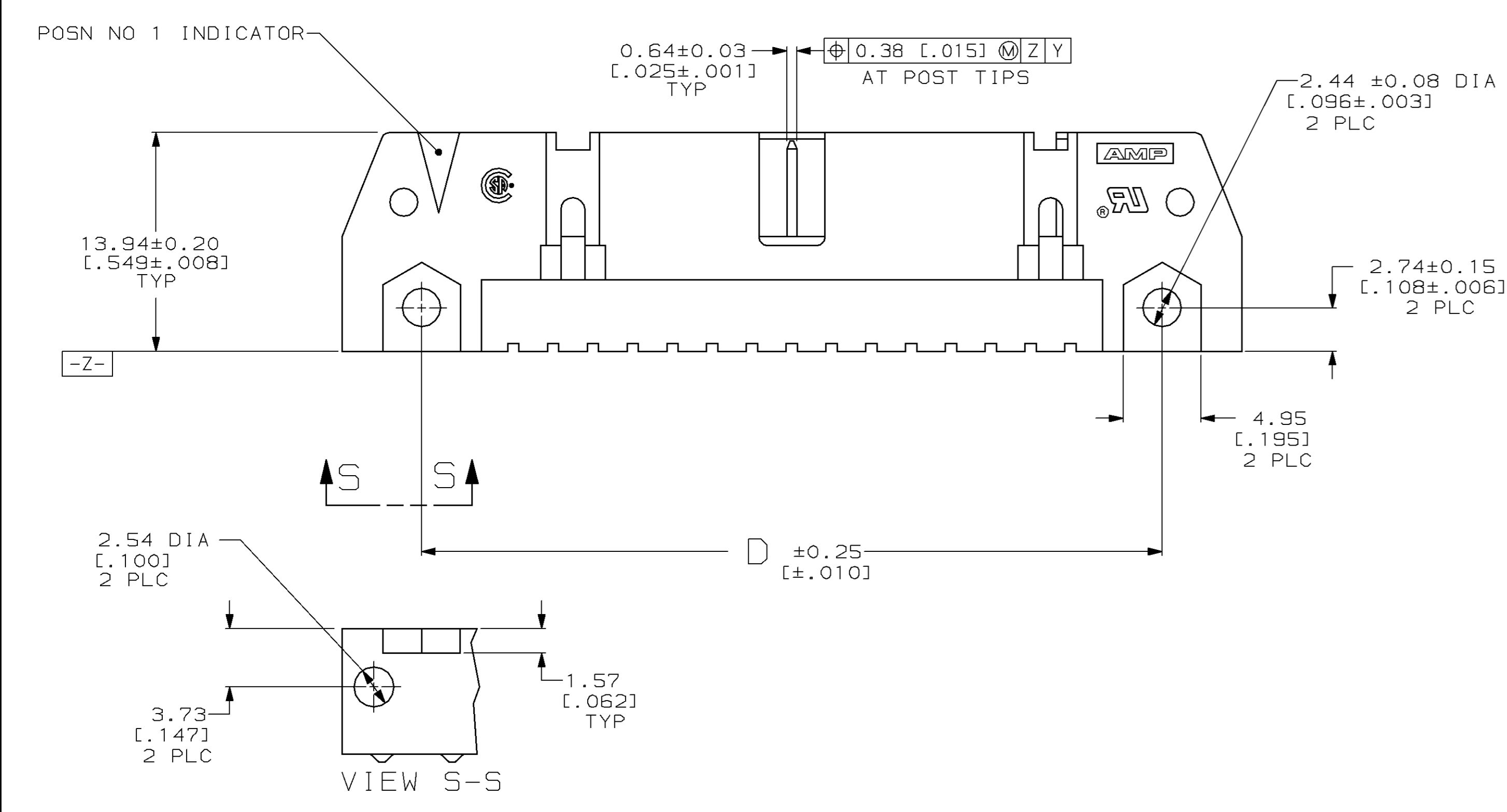
LOC		DIST		REV		REVISIONS		
AD	51	P	F	ZONE	LTR	DESCRIPTION	DATE	APPD
					E	REV'D REDRAWN PER ECN 803606&CF1329	4-23-90	-
					F	OBS -14 PER EC 0020-1108-94	04/28/95	DK
					G	OBS -13 PER EC 0020-0872-94	05/25/95	RK
					H	PER EC 0020-0330-96	T.S. 9-25-96	HR



- △ 1 COORDINATE DIMENSION APPLIES FROM BASIC LOCATION.
- △ 2 8, 10 AND 14 POSITION SIZES CONTAIN ONLY ONE SLOT FOR SNAP-IN POLARIZER (MILITARY POLARIZATION) LOCATED AS SHOWN.
- △ 3 8 AND 10 POSITION SIZES CONTAIN ONLY ONE SLOT FOR DUAL POLARIZATION, LOCATED AS SHOWN.
- 4. RECOMMENDED PRINTED CIRCUIT BOARD THICKNESS IS 3.18 [0.125].



	7.62 [0.300]	19.30 [0.760]	19.30 [0.760]	29.46 [1.160]	25.40 [1.000]	15.24 [0.600]	8	1-102162-4
OBSOLETE	53.34 [2.100]	65.02 [2.560]	65.02 [2.560]	75.18 [2.960]	71.12 [2.800]	60.96 [2.400]	44	1-102162-3
	78.74 [3.100]	90.42 [3.560]	90.42 [3.560]	100.58 [3.960]	96.52 [3.800]	86.36 [3.400]	64	1-102162-2
	73.66 [2.900]	85.34 [3.360]	85.34 [3.360]	95.50 [3.760]	91.44 [3.600]	81.28 [3.200]	60	1-102162-1
	60.96 [2.400]	72.64 [2.860]	72.64 [2.860]	82.80 [3.260]	78.74 [3.100]	68.58 [2.700]	50	1-102162-0
	48.26 [1.900]	59.94 [2.360]	59.94 [2.360]	70.10 [2.760]	66.04 [2.600]	55.88 [2.200]	40	102162-9
	40.64 [1.600]	52.32 [2.060]	52.32 [2.060]	62.48 [2.460]	58.42 [2.300]	48.26 [1.900]	34	102162-8
	35.56 [1.400]	47.24 [1.860]	47.24 [1.860]	57.40 [2.260]	53.34 [2.100]	43.18 [1.700]	30	102162-7
	30.48 [1.200]	42.16 [1.660]	42.16 [1.660]	52.32 [2.060]	48.26 [1.900]	38.10 [1.500]	26	102162-6
	27.94 [1.100]	39.62 [1.560]	39.62 [1.560]	49.78 [1.960]	45.72 [1.800]	35.56 [1.400]	24	102162-5
	22.86 [0.900]	34.54 [1.360]	34.54 [1.360]	44.70 [1.760]	40.64 [1.600]	30.48 [1.200]	20	102162-4
	17.78 [0.700]	29.46 [1.160]	29.46 [1.160]	39.62 [1.560]	35.56 [1.400]	25.40 [1.000]	16	102162-3
	15.24 [0.600]	26.92 [1.060]	26.92 [1.060]	37.08 [1.460]	33.02 [1.300]	22.86 [0.900]	14	102162-2
	10.16 [0.400]	21.84 [0.860]	21.84 [0.860]	32.00 [1.260]	27.94 [1.100]	17.78 [0.700]	10	102162-1
	F	E	D	C	B	A	NO OF POSN	PART NUMBER



DO NOT SCALE PRINT. UNLESS SPECIFIED DIMENSIONS IN mm [INCHES] TOLERANCES ON: 2 PLC DEC ± 0.13 [0.005] 3 PLC DEC ± - ANGLES ± -

MATERIAL HOUSING: GLASS FILLED NYLON OR POLYESTER, 94V-0 RATED; BLACK POSTS: PH BRZ

FINISH POSTS: 0.76µm [0.000030] MIN GOLD ON LOCALIZED GOLD PLATE AREA, 2.54µm [0.00100] MIN BRIGHT TIN-LEAD ON SOLDER TAIL, ALL OVER 1.27µm [0.000050] MIN NICKEL ON ENTIRE POST

DR 4-23-90 H. MÖLL
 CHK 11/28/90 R. STONE
 APPD 11/28/90 S. GOOD
 APPD 11/26/90 D. HOFFMAN
 PRODUCT SPEC 108-40018
 APPLICATION SPEC -
 WEIGHT -

AMP INCORPORATED Harrisburg, Pa. 17105

NAME: HEADER ASSY, UNIVERSAL, AMP-LATCH™

SIZE: D CAGE CODE: 00779 DRAWING NO: 102162
 SCALE: 4:1 SHEET: 1 OF 1