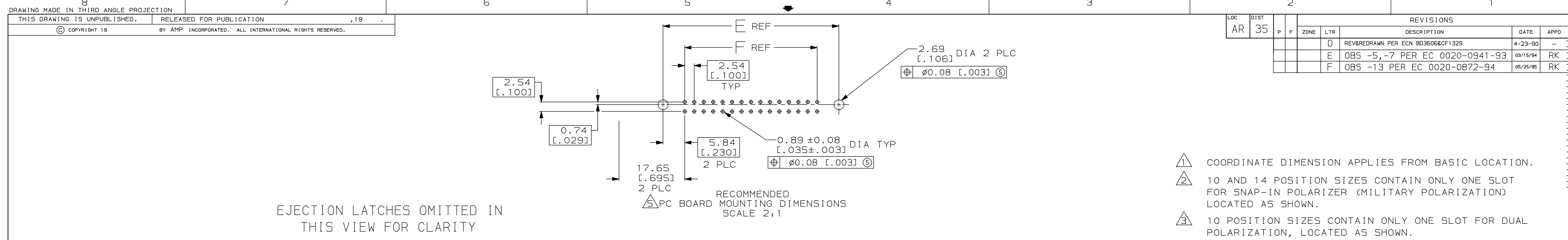
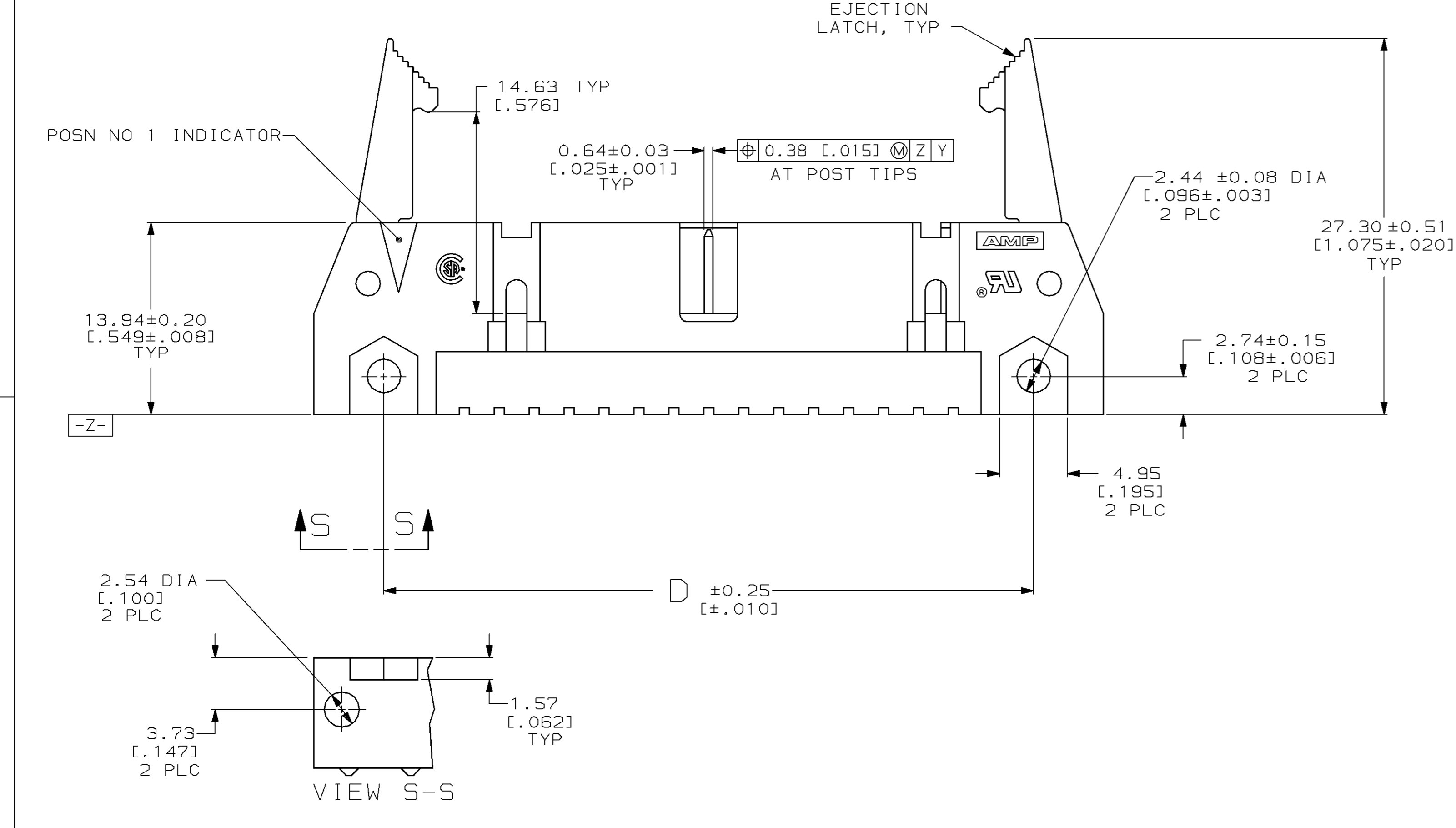
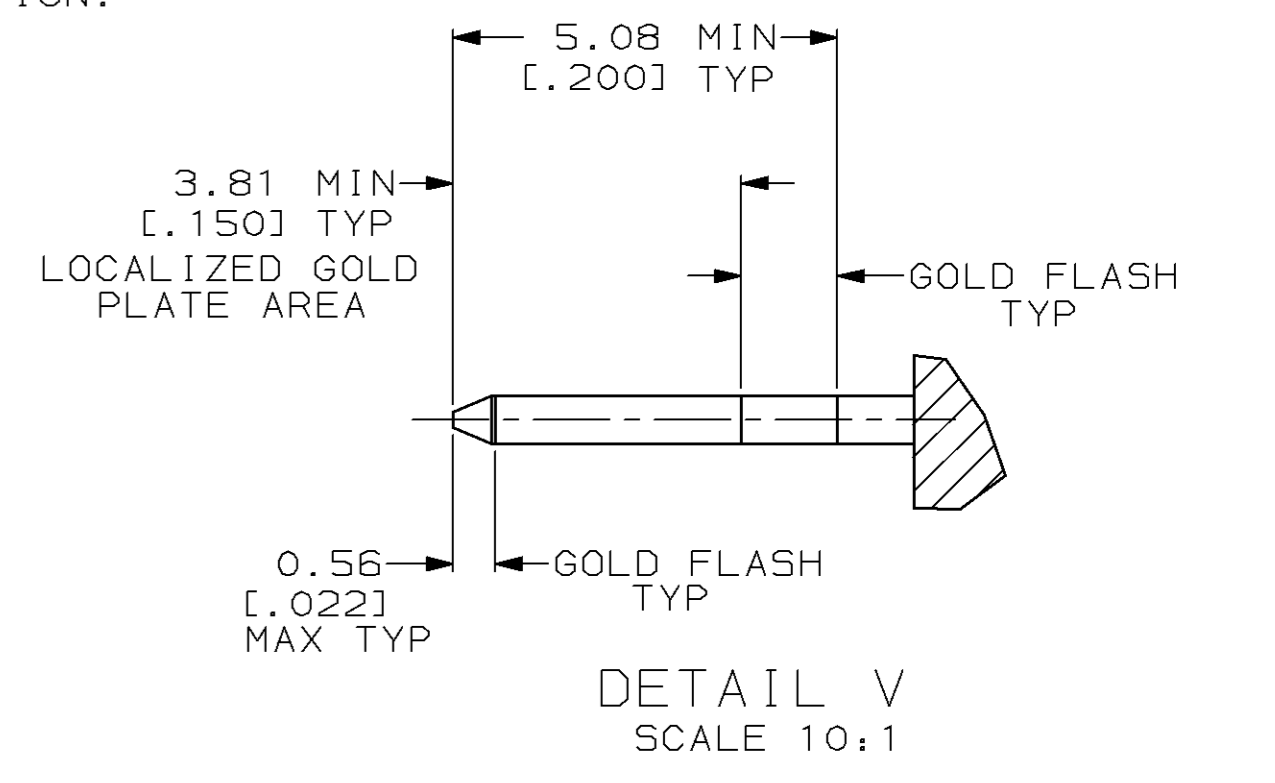
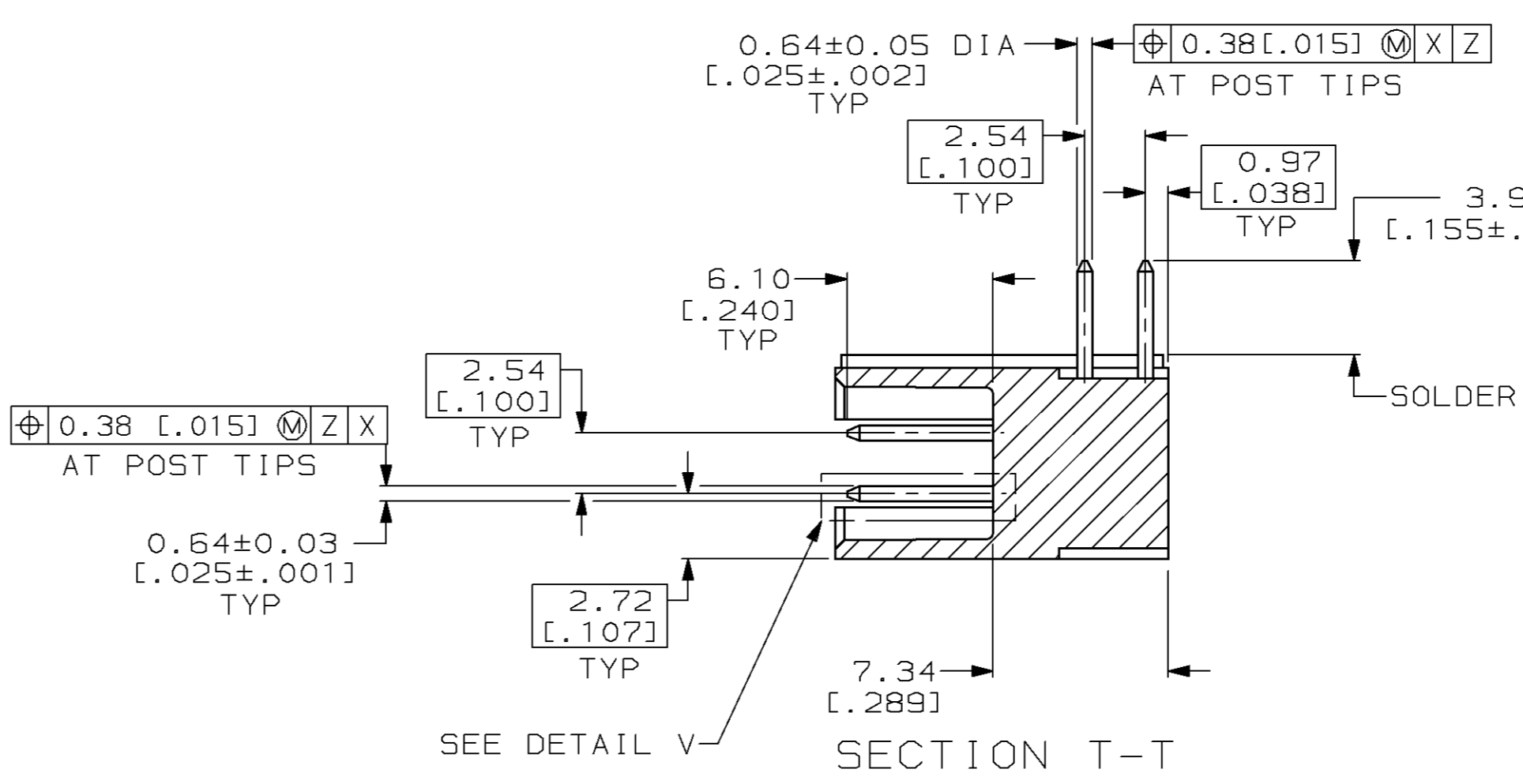
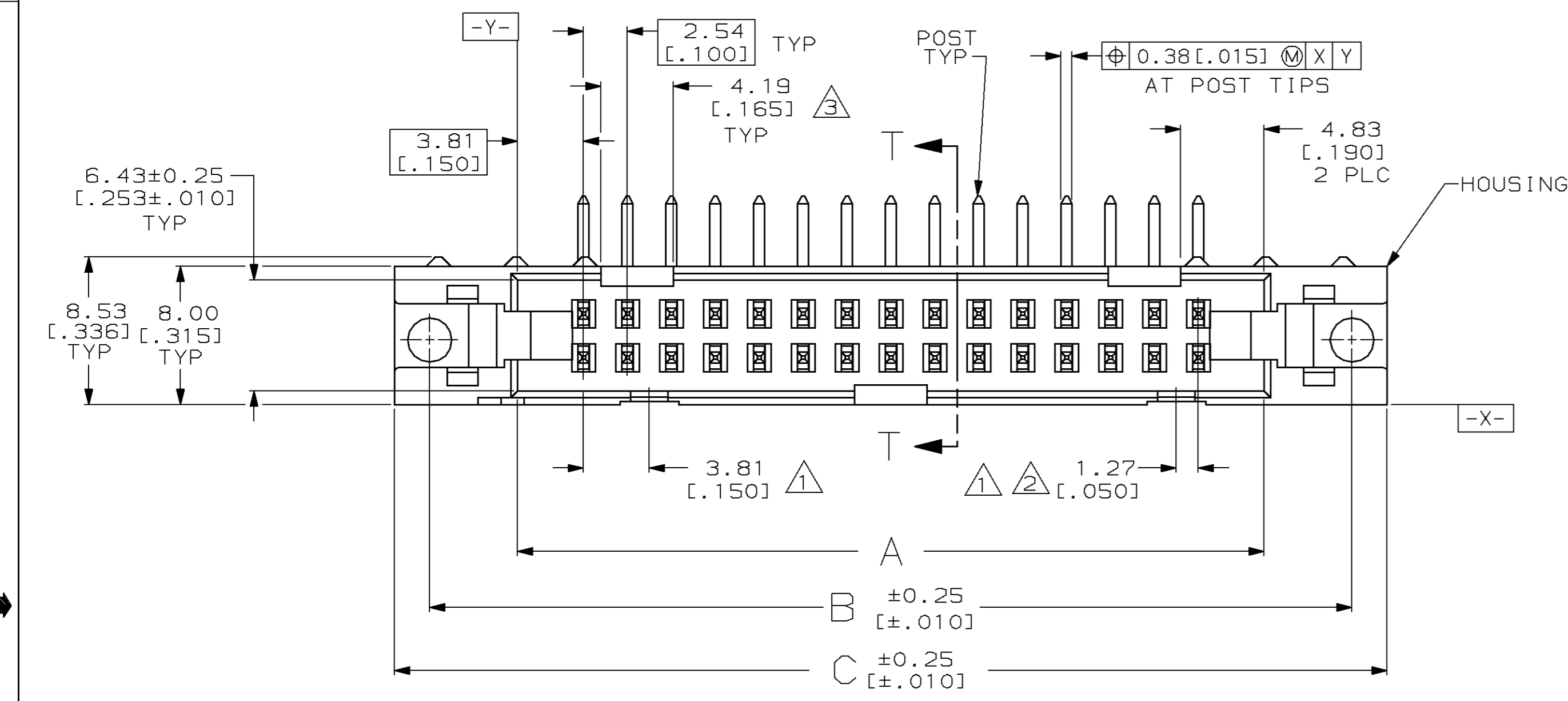


LOC	DIST	P	F	REVISIONS				
				ZONE	LTR	DESCRIPTION	DATE	APPD
				D		REV'D REDRAWN PER ECN 803606&CF1329	4-23-90	-
				E		OBS -5, -7 PER EC 0020-0941-93	03/15/94	RK
				F		OBS -13 PER EC 0020-0872-94	05/25/95	RK



- 1. COORDINATE DIMENSION APPLIES FROM BASIC LOCATION.
- 2. 10 AND 14 POSITION SIZES CONTAIN ONLY ONE SLOT FOR SNAP-IN POLARIZER (MILITARY POLARIZATION) LOCATED AS SHOWN.
- 3. 10 POSITION SIZES CONTAIN ONLY ONE SLOT FOR DUAL POLARIZATION, LOCATED AS SHOWN.
- 4. RECOMMENDED PRINTED CIRCUIT BOARD THICKNESS IS 3.18 [0.125].
- 5. DISTANCE REQUIRED BY EJECTION LATCHES IN THE OPEN POSITION.



OBSOLETE	53.34	65.02	65.02	75.18	71.12	60.96	44	1-102322-3
	78.74	90.42	90.42	100.58	96.52	86.36	64	1-102322-2
	73.66	85.34	85.34	95.50	91.44	81.28	60	1-102322-1
OBSOLETE	60.96	72.64	72.64	82.80	78.74	68.58	50	1-102322-0
	48.26	59.94	59.94	70.10	66.04	55.88	40	102322-9
	40.64	52.32	52.32	62.48	58.42	48.26	34	102322-8
OBSOLETE	35.56	47.24	47.24	57.40	53.34	43.18	30	102322-7
	30.48	42.16	42.16	52.32	48.26	38.10	26	102322-6
	27.94	39.62	39.62	49.78	45.72	35.56	24	102322-5
OBSOLETE	22.86	34.54	34.54	44.70	40.64	30.48	20	102322-4
	17.78	29.46	29.46	39.62	35.56	25.40	16	102322-3
	15.24	26.92	26.92	37.08	33.02	22.86	14	102322-2
OBSOLETE	10.16	21.84	21.84	32.00	27.94	17.78	10	102322-1
	F	E	D	C	B	A	NO OF POSN	PART NUMBER

DO NOT SCALE PRINT. UNLESS SPECIFIED DIMENSIONS IN mm [INCHES] TOLERANCES: ON ; 2 PLC DEC ± 0.13 [0.05] 3 PLC DEC ± - ANGLES ± -

MATERIAL: HOUSING & LATCHES, GLASS FILLED NYLON OR POLYESTER, 94V-0 RATED; BLACK POSTS, PH BRZ

FINISH: POSTS, 0.76µm [0.000030] MIN GOLD ON LOCALIZED GOLD PLATE AREA, 2.54µm [0.00100] MIN BRIGHT TIN-LEAD ON SOLDER TAIL, ALL OVER 1.27µm [0.000050] MIN NICKEL ON ENTIRE POST

DR 4-23-90 H. MOLL
 CHK 11-28-90 R. STONE
 APPD 11-29-90 S. GOOD
 APPD 11-29-90 D. HOFFMAN

NAME: **HEADER ASSY, UNIVERSAL, AMP-LATCH™**

PRODUCT SPEC: 108-40018

APPLICATION SPEC: -

WEIGHT: -

AMP INCORPORATED
 Harrisburg, Pa. 17105

SIZE: **D** CAGE CODE: 00779 DRAWING NO: 102322
 SCALE: 4:1 SHEET: 1 OF 1