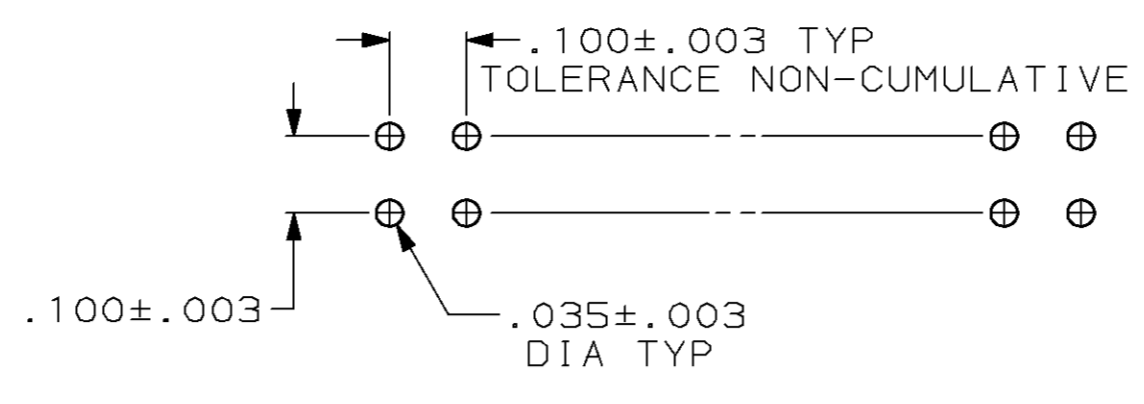
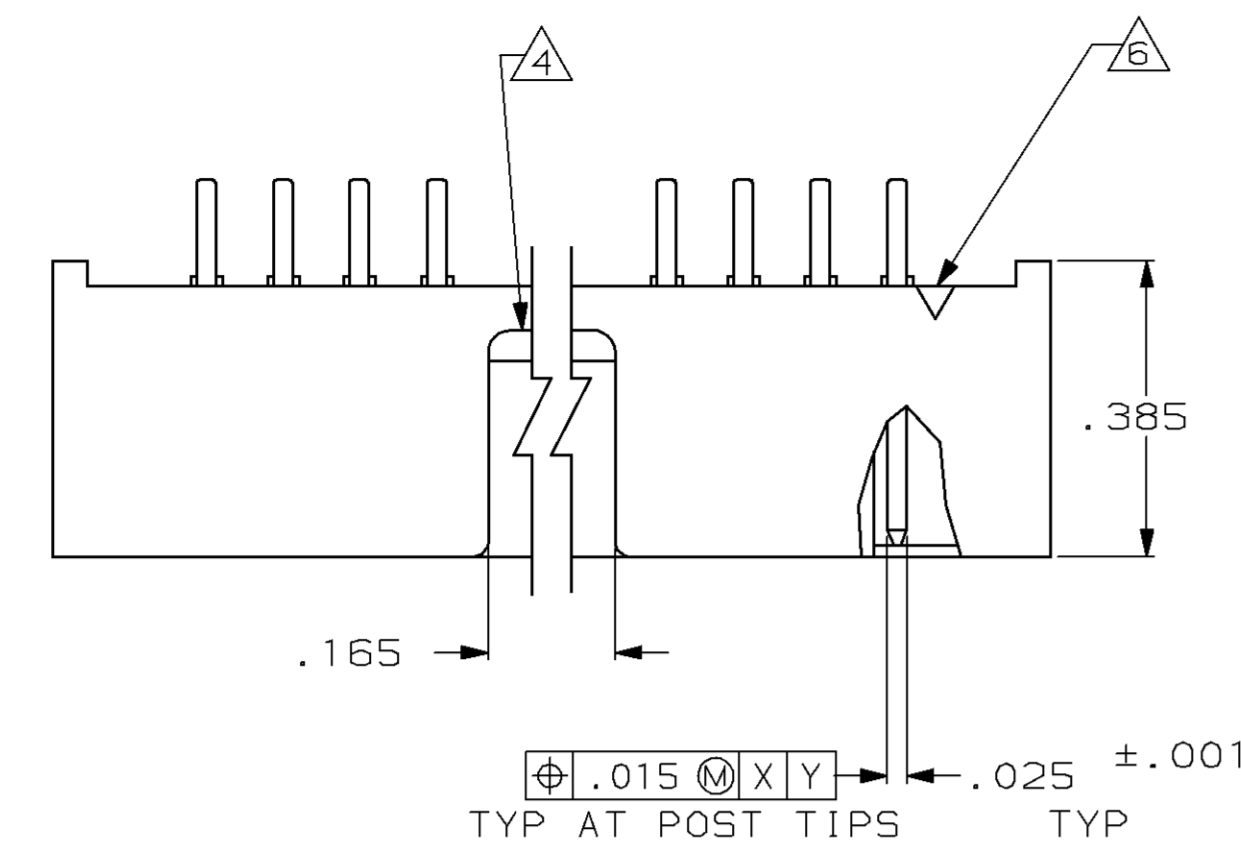
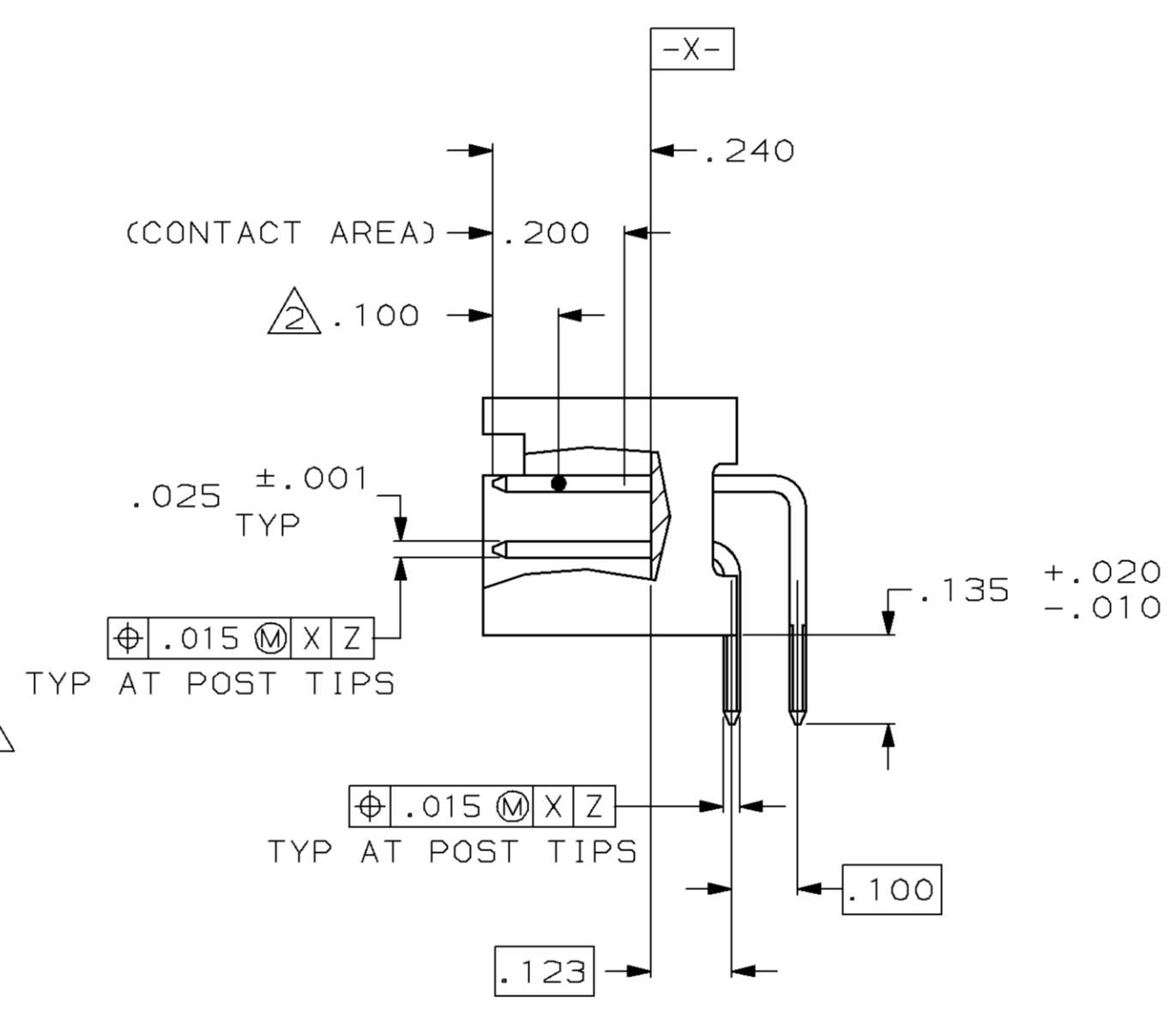
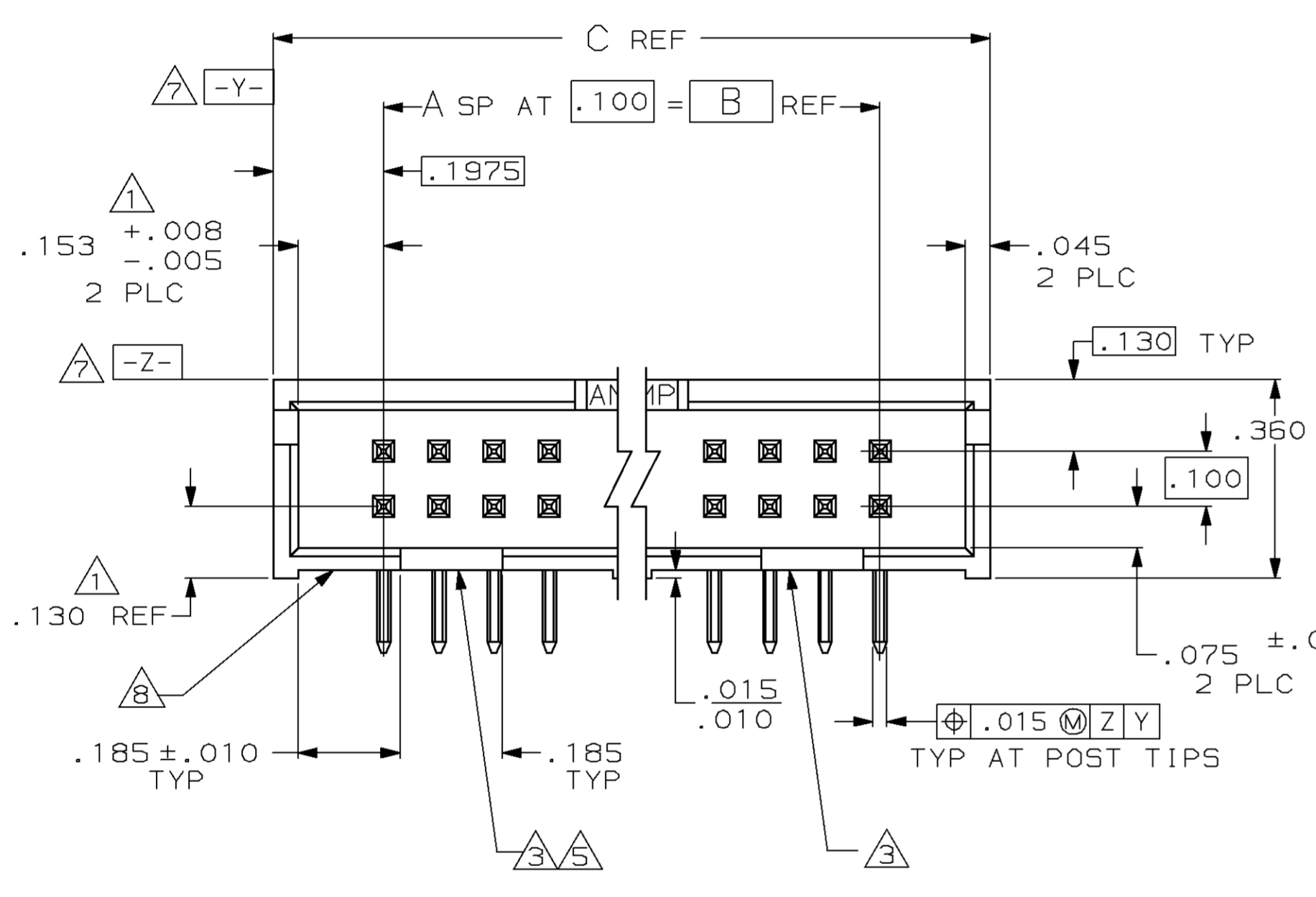


LOC AR	DIST	P	F	ZONE	LTR	DESCRIPTION	DATE	APPD
	35				A	REV&REDRAWN ECN 1633	-	-
					B	REV PER ECN B03603	2-5-90	SG
					C	REV PER ECN B03996	09/17/90	RK
					D	REV PER ECN B06866	02/15/93	RK
					E	OBS -4 & 1-1 PER EC 0020-942-93	03/13/94	RK
					F	REV PER EC 0020-857-95	07 DEC 95	RK
					G	REV PER EC 0410-56-97	23 OCT 97	KEF



RECOMMENDED HOLE LAYOUT FOR MANUAL INSERTION



	3.300	2.900	29	60	1-103311-2
OBSOLETE	3.100	2.700	27	56	1-103311-1
	2.800	2.400	24	50	1-103311-0
	2.500	2.100	21	44	103311-9
	2.300	1.900	19	40	103311-8
	2.000	1.600	16	34	103311-7
	1.600	1.200	12	26	103311-6
	1.300	.900	9	20	103311-5
OBSOLETE	1.200	.800	8	18	103311-4
	1.100	.700	7	16	103311-3
	1.000	.600	6	14	103311-2
	.800	.400	4	10	103311-1
	C	B	A	NO OF POSN	ASSEMBLY PART NUMBER

- ① THE NOTED DIMENSIONS APPLY AT THE INTERSECTION OF THE POST AND HOUSING
- ② POINT OF MEASUREMENT FOR PLATING THICKNESS
- ③ DOUBLE BAR POLARIZATION
- ④ CENTER POLARIZATION SLOT
- ⑤ FOR 10 POSN ASSEMBLY, SLOT OMITTED WHERE INDICATED
- ⑥ NUMBER 1 POSITION INDICATOR.
- ⑦ DATUMS [-Y-] AND [-Z-] APPLY AT THE BASE OF THE SHROUD WALL.
- ⑧ OPTIONAL AMP IDENTIFICATION NUMBER (DATE CODE). LOCATION APPROXIMATELY WHERE SHOWN.

UNLESS OTHERWISE SPECIFIED DIMENSIONS ARE IN INCHES TOLERANCES ON :		DR 8-27-87 H MOLL	AMP INCORPORATED Harrisburg, Pa. 17105
2 PL DEC ±.005 3 PL DEC ±.005 ANGLES ±.		CHK 9-4-87 L A MAYER	
MATERIAL: HOUSING: GLASS FILLED NYLON, FLAME RETARDANT, BLACK POSTS: PHOS BRONZE		APPD 9-4-87 R FEIDT	
FINISH: POSTS: .000030 GOLD IN CONTACT AREA, .000100-.000200 TIN-LEAD ON SOLDER TAIL, ALL OVER .000050 NICKEL		APPD 9-4-87 R ELICKER	PRODUCT SPEC -
APPLICATION SPEC -		WEIGHT -	NAME HEADER ASSY, LOW PROFILE, AMP-LATCH™
SIZE D	FSCM NO 00779	DRAWING NO 103311	SCALE 4:1
SHEET 1 OF 1		CUSTOMER DRAWING	