

Distributed by:

JAMECO[®]
ELECTRONICS

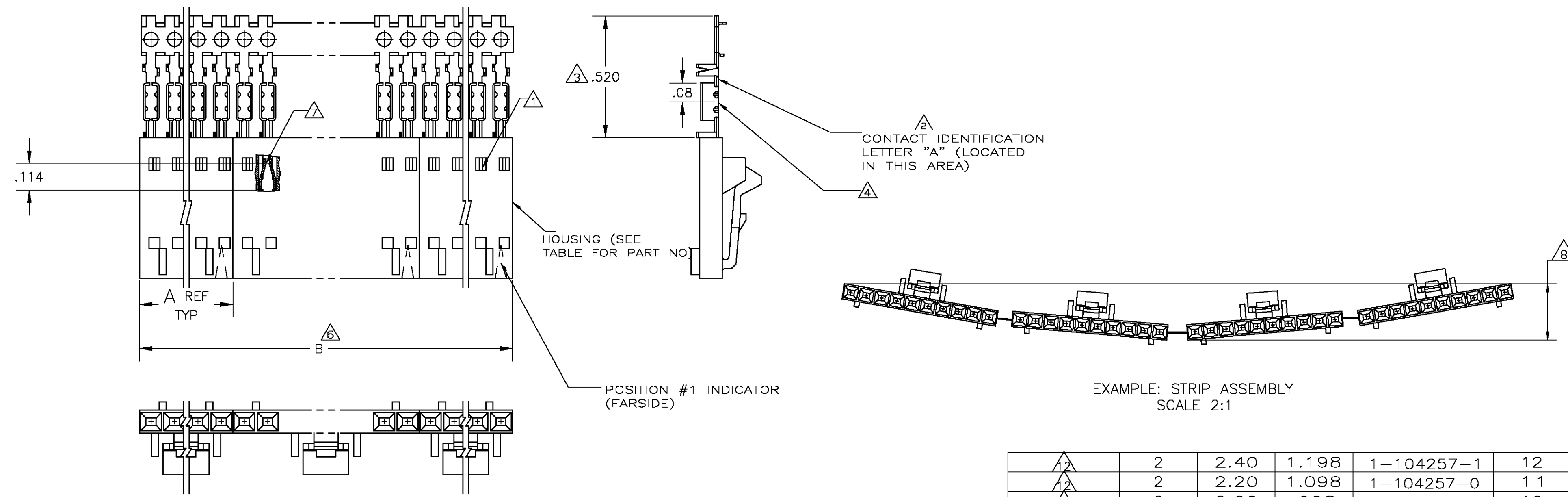
www.Jameco.com ♦ 1-800-831-4242

The content and copyrights of the attached
material are the property of its owner.

Jameco Part Number 747391

THIS DRAWING IS UNPUBLISHED. RELEASED FOR PUBLICATION
 © COPYRIGHT BY TYCO ELECTRONICS CORPORATION. ALL RIGHTS RESERVED.

LOC	DIST	REVISIONS					
AD	00	P	LTR	DESCRIPTION	DATE	DWN	APVD
		M		EC 0G3C 0734 04	16DEC04	BSV	-



- 1 CONTACTS ARE LATCHED INTO THE PRELOAD WINDOWS.
- 2 USE WITH #26-#30 AWG WIRE SIZE, .054/.030 INSULATION DIAMETER, .015 MAXIMUM INSULATION THICKNESS.
- 3 THE DIMENSION APPLIES WITH THE FORWARD STOP IN CONTACT WITH THE HOUSING SURFACE
- 4 POINT OF MEASUREMENT FOR PLATING THICKNESS
- 5. FOR INDIVIDUAL ASSEMBLIES SEE PART NUMBER 103640
- 6 ASSEMBLIES ARE JOINED BY THE CARRIER STRIP. ORDER QUANTITY REFLECTS TOTAL NUMBER OF INDIVIDUAL ASSEMBLIES REQUIRED. SEE TABLE FOR NUMBER OF ASSEMBLIES PER STRIP.
- 7 POINT OF MEASUREMENT FOR PLATING THICKNESS (INSIDE BEAMS)
- 8 MAXIMUM ALLOWABLE BOW OF ASSEMBLY NOT TO EXCEED .055.
- 9 .000015 GOLD IN THE CONTACT AREA. .000050-.000100 BRIGHT TIN-LEAD ON THE TERMINATION AREA, ALL OVER .000050 NICKEL.
- 10 .000015 GOLD IN THE CONTACT AREA. .000050-.000100 BRIGHT TIN ON THE TERMINATION AREA, ALL OVER .000050 NICKEL.
- 11 PRELIMINARY PART - NOT RELEASED FOR PRODUCTION.
- 12 .000015 GOLD IN THE CONTACT AREA. .000050-.000100 MATTE TIN ON THE TERMINATION AREA, ALL OVER .000050 NICKEL.

EXAMPLE: STRIP ASSEMBLY
SCALE 2:1

12	2	2.40	1.198	1-104257-1	12	6-103960-1
12	2	2.20	1.098	1-104257-0	11	6-103960-0
12	2	2.00	.998	104257-9	10	5-103960-9
12	2	1.80	.898	104257-8	9	5-103960-8
12	2	1.60	.798	104257-7	8	5-103960-7
12	2	1.40	.698	104257-6	7	5-103960-6
12	4	2.39	.598	104257-5	6	5-103960-5
12	4	1.99	.498	104257-4	5	5-103960-4
12	5	1.99	.398	104257-3	4	5-103960-3
12	8	2.40	.298	104257-2	3	5-103960-2
12	10	2.00	.198	104257-1	2	5-103960-1
11	5	1.99	.398	104257-3	4	1-103960-2
9	2	2.40	1.198	1-104257-1	12	1-103960-1
9	2	2.20	1.098	1-104257-0	11	1-103960-0
9	2	2.00	.998	104257-9	10	103960-9
9	2	1.80	.898	104257-8	9	103960-8
9	2	1.60	.798	104257-7	8	103960-7
9	2	1.40	.698	104257-6	7	103960-6
9	4	2.39	.598	104257-5	6	103960-5
9	4	1.99	.498	104257-4	5	103960-4
9	5	1.99	.398	104257-3	4	103960-3
9	8	2.40	.298	104257-2	3	103960-2
9	10	2.00	.198	104257-1	2	103960-1
PLATING	6	B	A	HOUSING PART NUMBER	NO OF POSN	ASSEMBLY PART NUMBER ON STRIP

THIS DRAWING IS A CONTROLLED DOCUMENT.

DWN	L A MAYER	11-4-86	Tyco Electronics Corporation Harrisburg, Pa 17105-3608
CHK	P de JONG	11-4-86	
APVD	P de JONG	11-4-86	
NAME	RCPT ASSY, AMPMODU MTE, SINGLE ROW, .100 C/L, LATCHED & POLARIZED FOR #26-#30 AWG WIRE SIZE, STRIP FORM		
DIMENSIONS: INCHES	TOLERANCES UNLESS OTHERWISE SPECIFIED:	PRODUCT SPEC	108-25034
	0 PLC ± -	APPLICATION SPEC	114-25026
	1 PLC ± -	WEIGHT	-
	2 PLC ± -	SIZE	A2
	3 PLC ± -	CAGE CODE	00779
	4 PLC ± -	DRAWING NO	103960
	ANGLES ± -	RESTRICTED TO	-
MATERIAL	FINISH	CUSTOMER DRAWING	
HOUSING	SEE TABLE	SCALE	3:1
		SHEET	1 OF 1
		REV	M