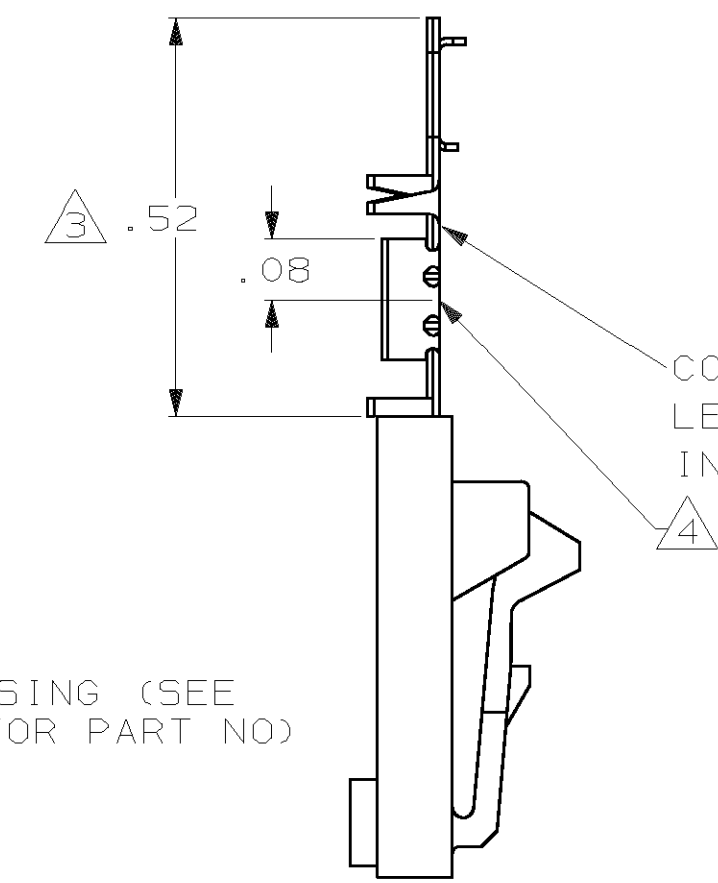
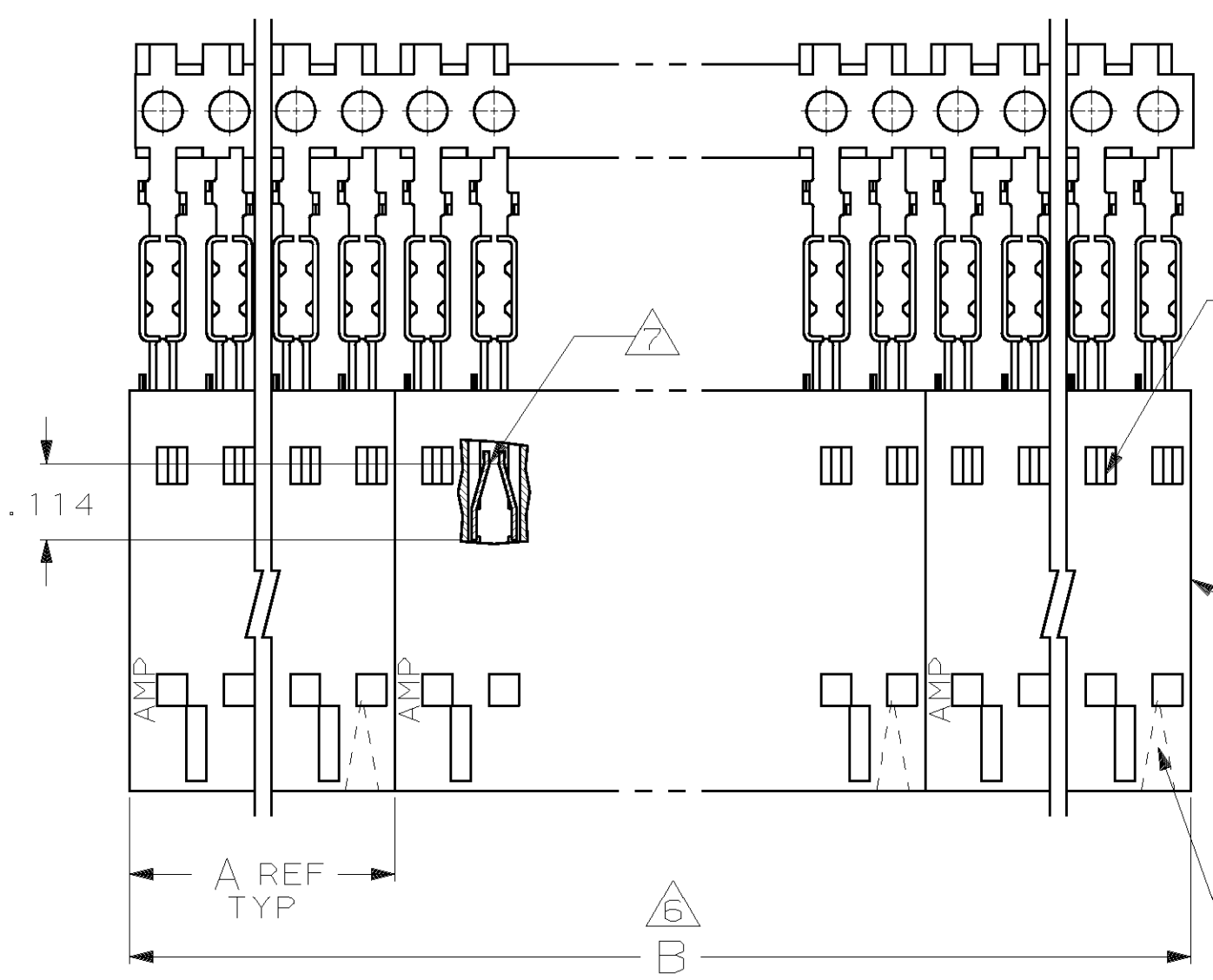


THIS DRAWING IS UNPUBLISHED. RELEASED FOR PUBLICATION, 19
 © COPYRIGHT 19 BY AMP INCORPORATED, HARRISBURG, PA. ALL INTERNATIONAL RIGHTS RESERVED. AMP PRODUCTS MAY BE COVERED BY U.S. AND FOREIGN PATENTS AND/OR PATENTS PENDING.

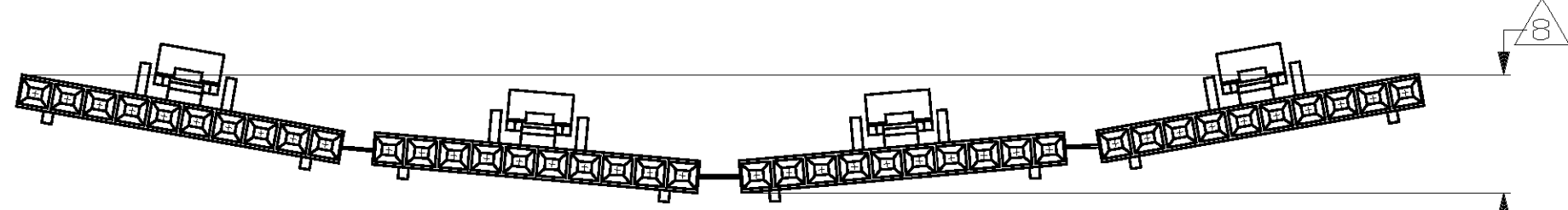
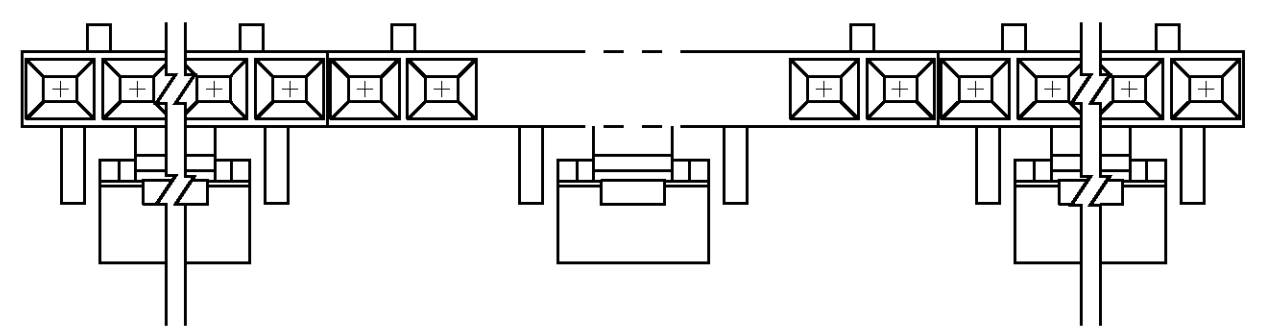
LOC	DIST	P	F	ZONE	LTR	DESCRIPTION	DATE	APPROVED
AD	39					RELEASED	-	-
						REV ECN 1736	-	-
						REV PER AR-2553	6-26-89	SAS
						REV LOC & DIST AD-4171	3-90	BF
						REV PER 0010-0832-93	7-93	JG
						REV PER 0010-1071-93	7-93	JG
						REV PER 0010-0155-94	3-9-94	JG
						REV PER 0010-0652-94	5-16-94	JG
						REV PER 0010-1424-94	10-14-94	JG
						REV PER 063C-0290-00	20JUL00	KW



CONTACT IDENTIFICATION LETTER "A" (LOCATED IN THIS AREA)

HOUSING (SEE TABLE FOR PART NO)

POSITION #1 INDICATOR (FAR SIDE)



EXAMPLE: STRIP ASSEMBLY
SCALE 2:1

2	2.40	1.198	1-104257-1	12	1-103961-1
2	2.20	1.098	1-104257-0	11	1-103961-0
2	2.00	.998	104257-9	10	103961-9
2	1.80	.898	104257-8	9	103961-8
2	1.60	.798	104257-7	8	103961-7
2	1.40	.698	104257-6	7	103961-6
4	2.39	.598	104257-5	6	103961-5
4	1.99	.498	104257-4	5	103961-4
5	1.99	.398	104257-3	4	103961-3
8	2.40	.298	104257-2	3	103961-2
10	2.00	.198	104257-1	2	103961-1
△6	B	A	HOUSING PART NUMBER	NO OF POSN	ASSEMBLY PART NUMBER ON STRIP

- 1 CONTACTS ARE LATCHED INTO THE PRELOAD WINDOWS
- 2 USE WITH #26-#30 AWG WIRE SIZE, .054/.030 INSULATION DIAMETER, .015 MAXIMUM INSULATION THICKNESS
- 3 THE DIMENSION APPLIES WITH THE FORWARD PRELOAD STOP IN CONTACT WITH THE HOUSING SURFACE
- 4 POINT OF MEASUREMENT FOR PLATING THICKNESS
- 5 FOR INDIVIDUAL ASSEMBLIES SEE PART NUMBER 103897
- 6 ASSEMBLIES ARE JOINED BY THE CARRIER STRIP. ORDER QUANTITY REFLECTS TOTAL NUMBER OF INDIVIDUAL ASSEMBLIES REQUIRED. SEE TABLE FOR NUMBER OF ASSEMBLIES PER STRIP.
- 7 POINT OF MEASUREMENT FOR PLATING THICKNESS (INSIDE BEAMS)
- 8 MAXIMUM ALLOWABLE BOW OF ASSEMBLY NOT TO EXCEED .055.

UNLESS OTHERWISE SPECIFIED DIMENSIONS ARE IN INCHES TOLERANCES ON :	DR 11-4-86 L A MAYER
2 PL DEC ± .02	CHK 11-12-86 P de Jong
3 PL DEC ± .005	APPD 11-12-86 P de Jong
ANGLES ± -	APPD 11-13-86 J SCHIEFER
MATERIAL: HOUSING: FLAME RETARDANT THERMOPLASTIC, COLOR:BLACK	PRODUCT SPEC 108-25034
CONTACTS: PHOS BRONZE	APPLICATION SPEC 114-25026
FINISH: CONTACTS: .000030 GOLD IN THE CONTACT AREA, .000050-.000100 TIN-LEAD ON THE TERMINATION AREA, ALL OVER .000050 NICKEL	WEIGHT

AMP AMP INCORPORATED
Harrisburg, Pa. 17105

NAME
RCPT ASSY, AMPMODU[®] MTE, SINGLE
ROW, .100¢, LATCHED & POLARIZED,
FOR #26-#30 AWG WIRE SIZE, STRIP FORM

SIZE F5CM NO 00779 DRAWING NO 103961

SCALE 4:1 SHEET 1 OF 1