

Distributed by:

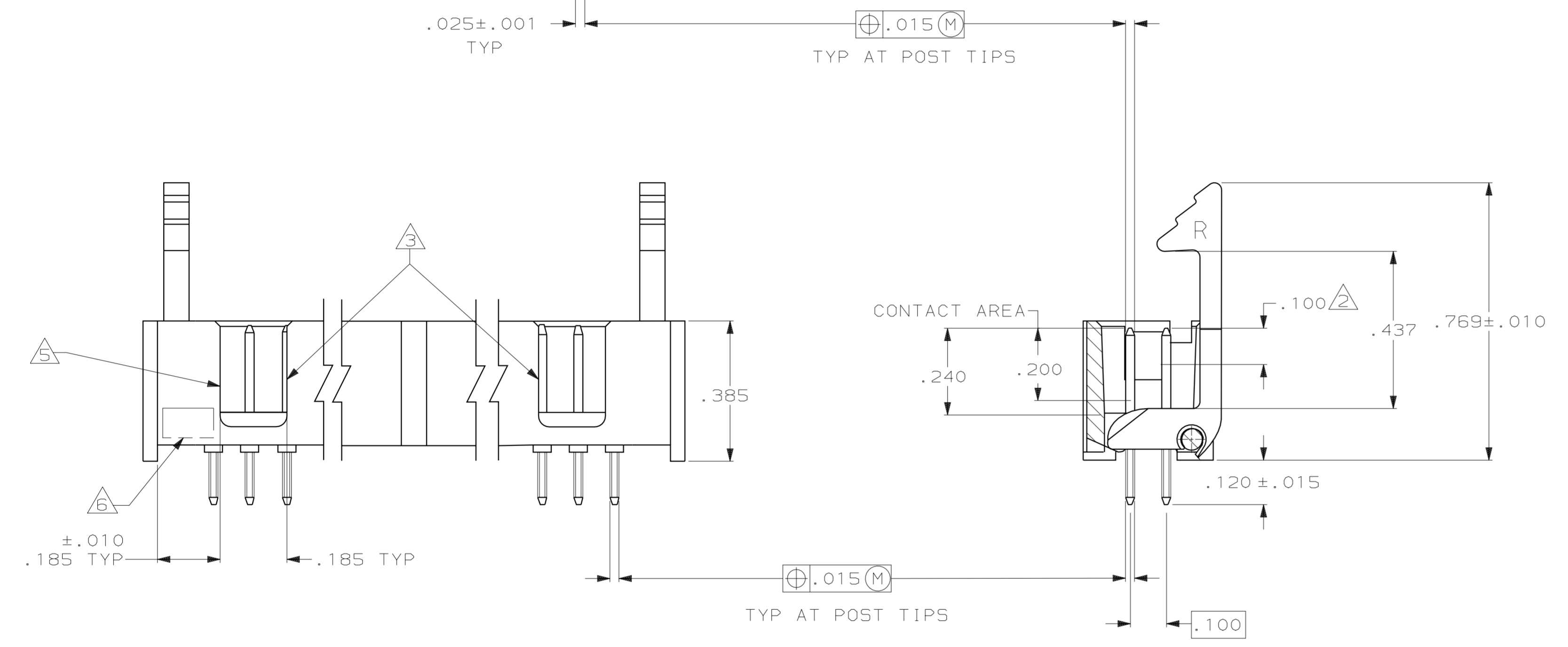
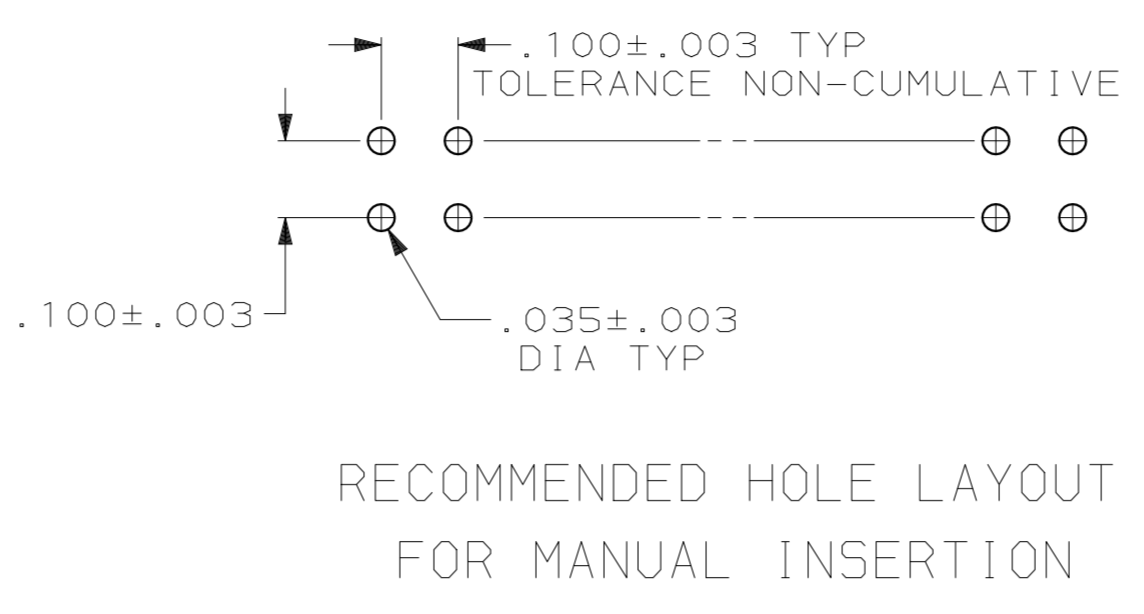
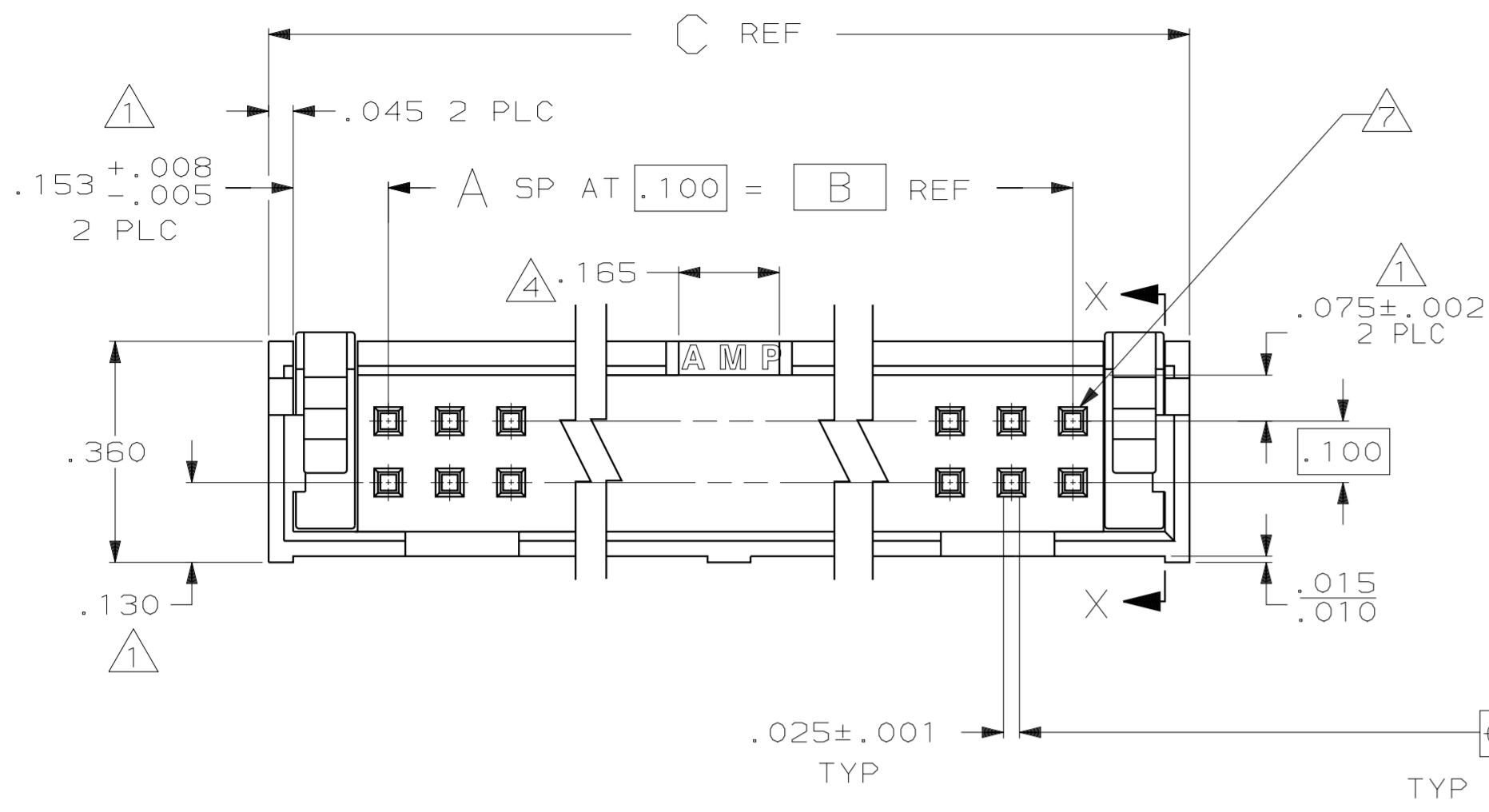
**JAMECO**<sup>®</sup>  
ELECTRONICS

**www.Jameco.com ♦ 1-800-831-4242**

The content and copyrights of the attached  
material are the property of its owner.

Jameco Part Number 739016

| LOC |    | DIST |   | REV |  | ZONE |  | LTR |  | REVISIONS |                         | DATE    | APPD |
|-----|----|------|---|-----|--|------|--|-----|--|-----------|-------------------------|---------|------|
| GP  | 00 | P    | F |     |  |      |  |     |  |           |                         |         |      |
|     |    |      |   |     |  |      |  |     |  | G         | REV PER EC 0513-0347-05 | 20MAR06 | SB   |



|          |       |       |    |    |            |
|----------|-------|-------|----|----|------------|
| OBSOLETE | 1.800 | 1.400 | 14 | 30 | 1-104313-2 |
|          | 3.300 | 2.900 | 29 | 60 | 1-104313-0 |
| OBSOLETE | 2.800 | 2.400 | 24 | 50 | 104313-9   |
|          | 2.500 | 2.100 | 21 | 44 | 104313-8   |
|          | 2.300 | 1.900 | 19 | 40 | 104313-7   |
|          | 2.000 | 1.600 | 16 | 34 | 104313-6   |
|          | 1.600 | 1.200 | 12 | 26 | 104313-5   |
|          | 1.300 | .900  | 9  | 20 | 104313-4   |
|          | 1.100 | .700  | 7  | 16 | 104313-3   |
|          | 1.000 | .600  | 6  | 14 | 104313-2   |
|          | .800  | .400  | 4  | 10 | 104313-1   |
|          |       | C     | B  | A  | NO OF POSN |

- ① THE NOTED DIMENSIONS APPLY AT THE INTERSECTION OF THE POST AND HOUSING
- ② POINT OF MEASUREMENT FOR PLATING THICKNESS
- ③ DOUBLE BAR POLARIZATION
- ④ CENTER POLARIZATION SLOT
- ⑤ FOR 10 POSN ASSEMBLY, SLOT OMITTED WHERE INDICATED
- ⑥ OPTIONAL AMP IDENTIFICATION NUMBER (DATE CODE). LOCATION APPROXIMATELY WHERE SHOWN.
- ⑦ NUMBER 1 POSITION.

|  |  |  |  |  |                  |
|--|--|--|--|--|------------------|
| UNLESS OTHERWISE SPECIFIED DIMENSIONS ARE IN INCHES TOLERANCES ON:   |  | DR 1-26-88<br>G. DOUTY                                 |  | AMP INCORPORATED<br>Harrisburg, Pa. 17105      |                  |
| 2 PL DEC ±.005<br>3 PL DEC ±.005<br>ANGLES ±   |  | CHK 1-26-88<br>R. FEIDT                                |  |  |                  |
| MATERIAL:<br>HOUSING: GLASS FILLED NYLON,<br>FLAME RETARDANT, BLACK<br>POSTS: PHOS BRONZE                                |  | APPD1-26-88<br>R. FEIDT                                |  | NAME<br>HEADER ASSY, LOW PROFILE,<br>AMP-LATCH |                  |
| FINISH: POSTS:<br>.000030 GOLD IN CONTACT<br>AREA, .000100-.000200 TIN-LEAD<br>ON SOLDER TAIL<br>ALL OVER .000050 NICKEL |  | APPD1-27-88<br>R. ELICKER<br>PRODUCT SPEC<br>108-40018 |  | SIZE<br><b>D</b>                               | FSCM NO<br>00779 |
|  |  | APPLICATION SPEC<br>-                                  |  | DRAWING NO<br>104313                           | SHEET 1 OF 1     |
|  |  | WEIGHT<br>-  |  | SCALE 4:1                                      | CUSTOMER DRAWING |