

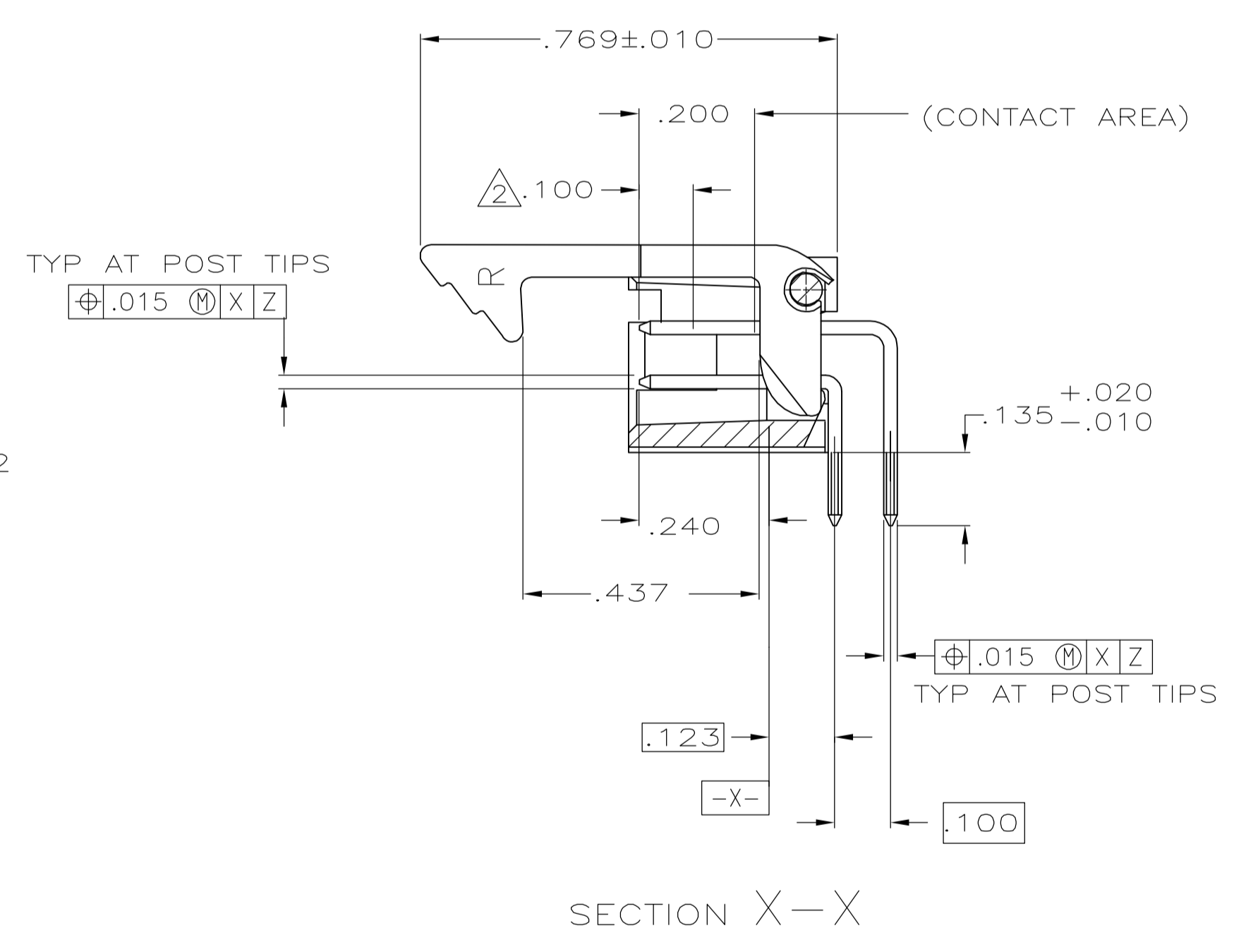
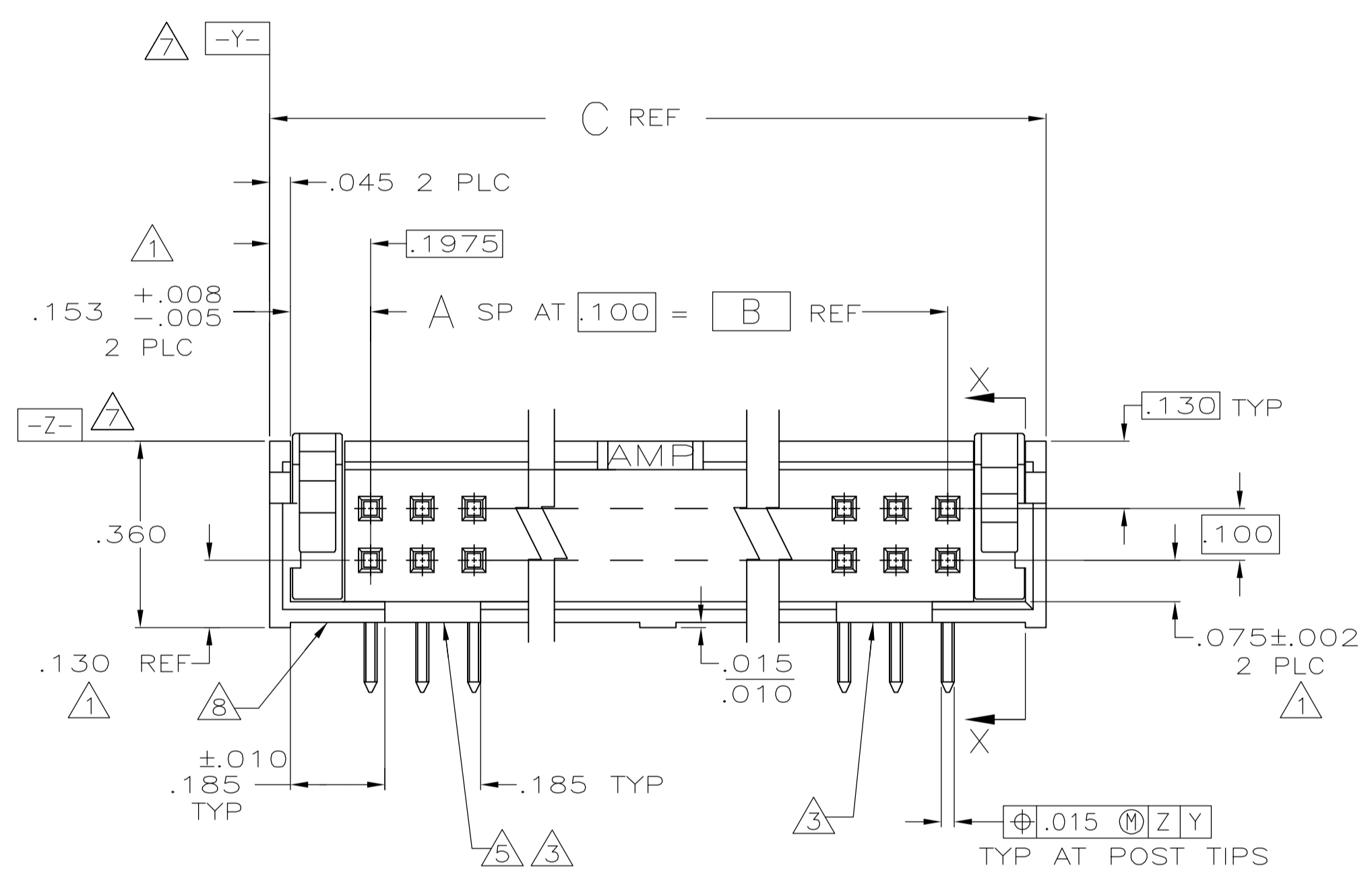
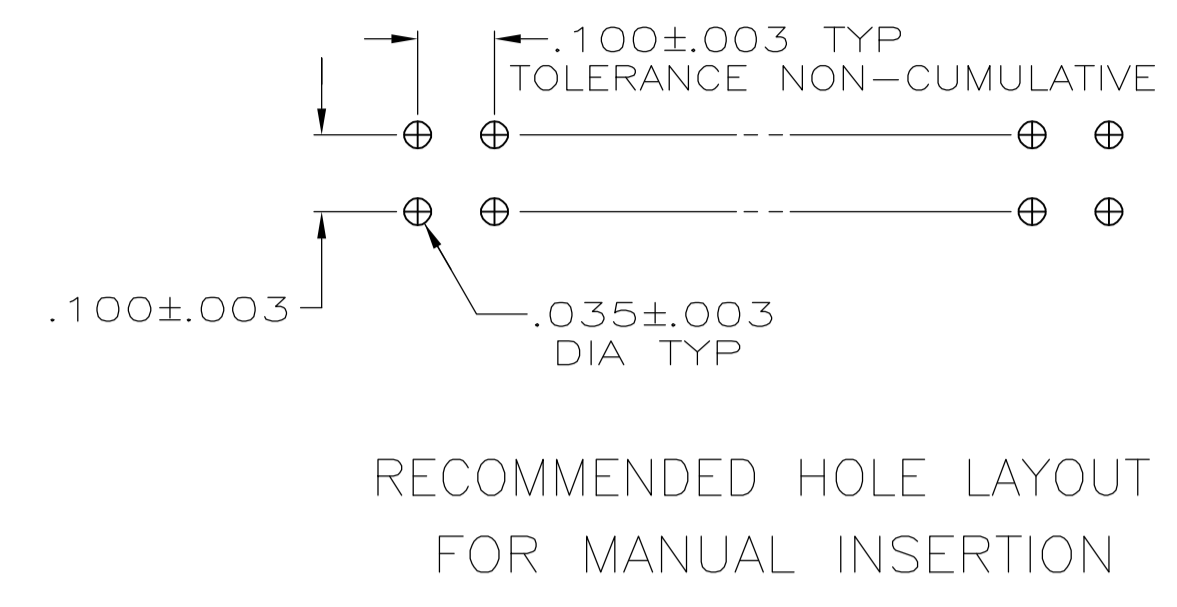
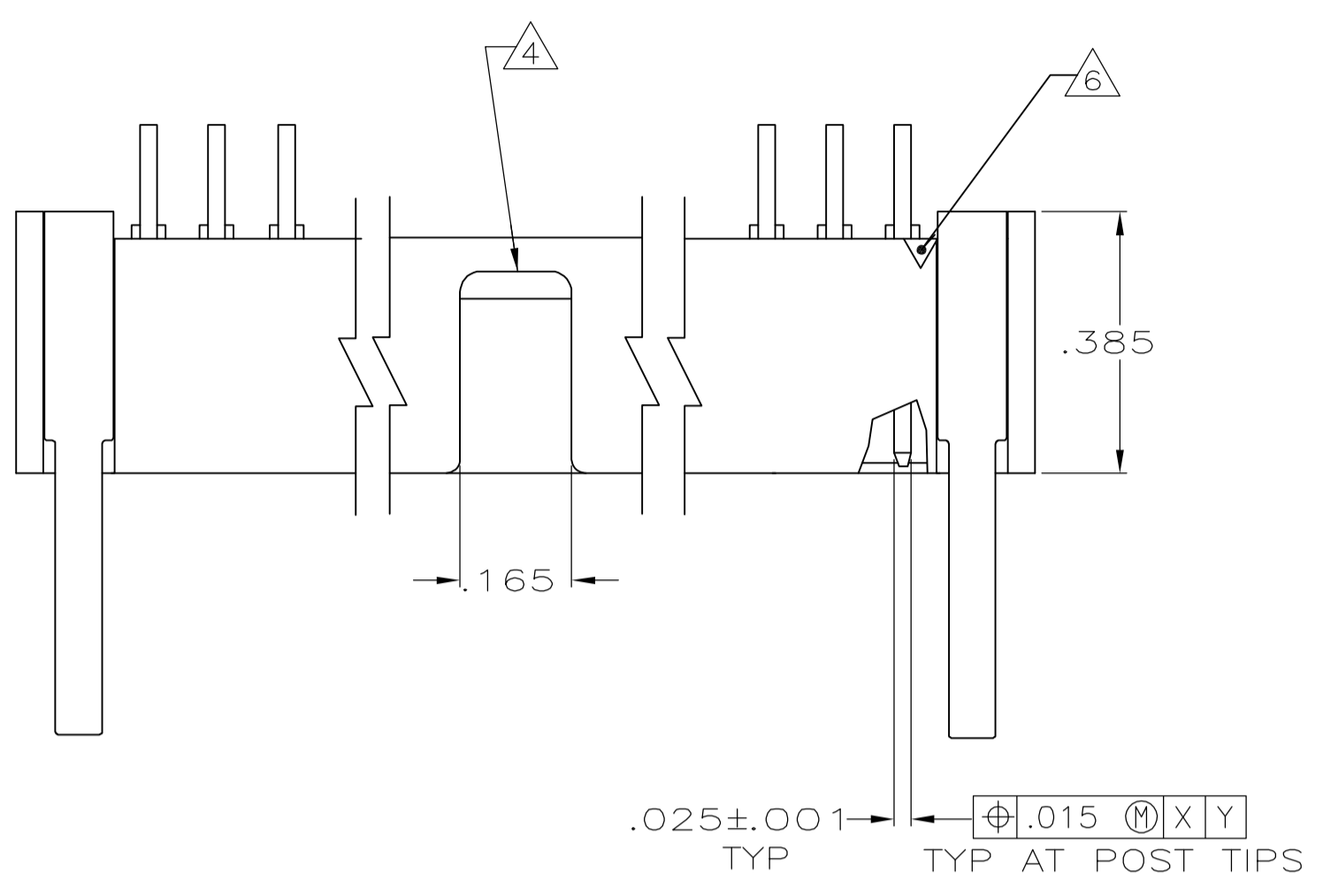
Distributed by:

JAMECO[®]
ELECTRONICS

www.Jameco.com ♦ 1-800-831-4242

The content and copyrights of the attached
material are the property of its owner.

Jameco Part Number 895326



- ① THE NOTED DIMENSIONS APPLY AT THE INTERSECTION OF THE POST AND HOUSING
- ② POINT OF MEASUREMENT FOR PLATING THICKNESS
- ③ DOUBLE BAR POLARIZATION
- ④ CENTER POLARIZATION SLOT
- ⑤ FOR 10 POSN ASSEMBLY, SLOT OMITTED WHERE INDICATED
- ⑥ NUMBER 1 POSITION INDICATOR.
- ⑦ DATUMS **-Y-** AND **-Z-** APPLY AT THE BASE OF THE SHROUD WALL.
- ⑧ OPTIONAL AMP IDENTIFICATION NUMBER (DATE CODE). LOCATION APPROXIMATELY WHERE SHOWN.
- ⑨ MATERIAL: HOUSING: GLASS FILLED NYLON, FLAME RETARDANT, BLACK. POSTS: PHOS. BRONZE.
- ⑩ FINISH: POSTS: .000030 GOLD IN CONTACT AREA. .000100-.000200 TIN-LEAD ON SOLDER TAIL, ALL OVER .000050 NICKEL.

	3.300	2.900	29	60	1-104315-0
	2.800	2.400	24	50	104315-9
OBSOLETE	2.500	2.100	21	44	104315-8
	2.300	1.900	19	40	104315-7
	2.000	1.600	16	34	104315-6
	1.600	1.200	12	26	104315-5
	1.300	.900	9	20	104315-4
	1.100	.700	7	16	104315-3
OBSOLETE	1.000	.600	6	14	104315-2
	.800	.400	4	10	104315-1
	C	B	A	NO OF POSN	ASSEMBLY PART NUMBER

THIS DRAWING IS A CONTROLLED DOCUMENT.

DIMENSIONS: INCHES	TOLERANCES UNLESS OTHERWISE SPECIFIED:	DWG: G DOUITY 1-26-88	CHK: R FEJDT 1-26-88	APVD: -	NAME: -	TYCO Electronics	Tyco Electronics Corporation Harrisburg, PA 17105-3608
0 PLC ± -	1 PLC ± -	2 PLC ± -	3 PLC ± .005	4 PLC ± -	ANGLES ± -	PRODUCT SPEC: -	APPLICATION SPEC: -
MATERIAL: A	FINISH: I	SIZE: A1	WEIGHT: -	CAGE CODE: 00779	DRAWING NO: 104315	RESTRICTED TO: -	CUSTOMER DRAWING
		SCALE: 4:1	SHEET: 1 OF 1	REV: H			