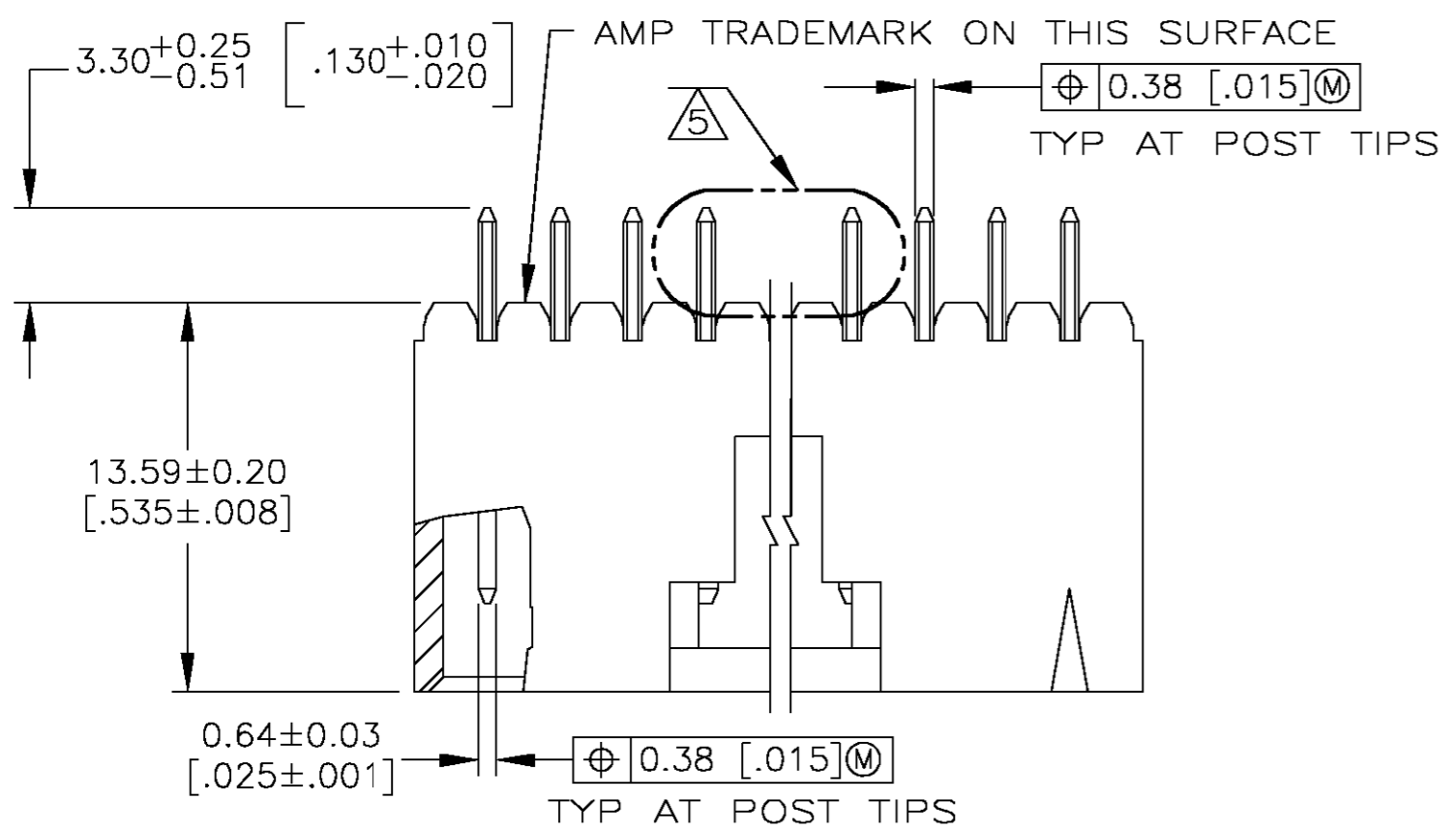
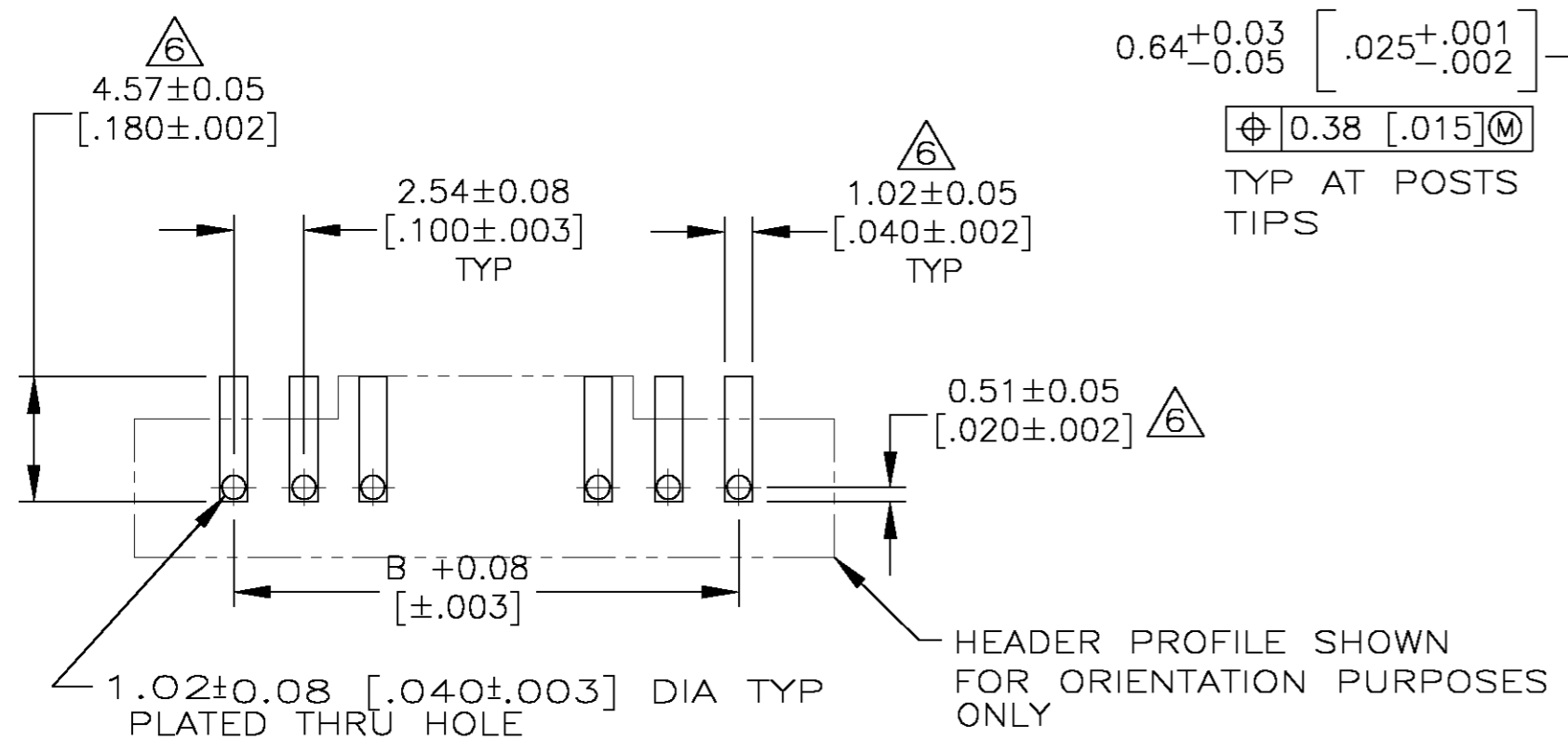
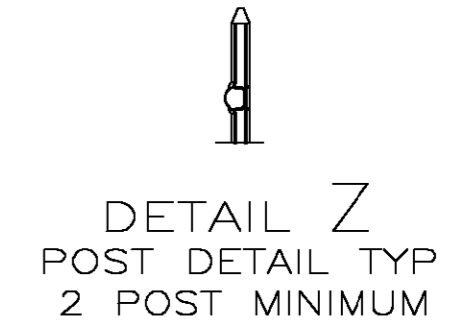
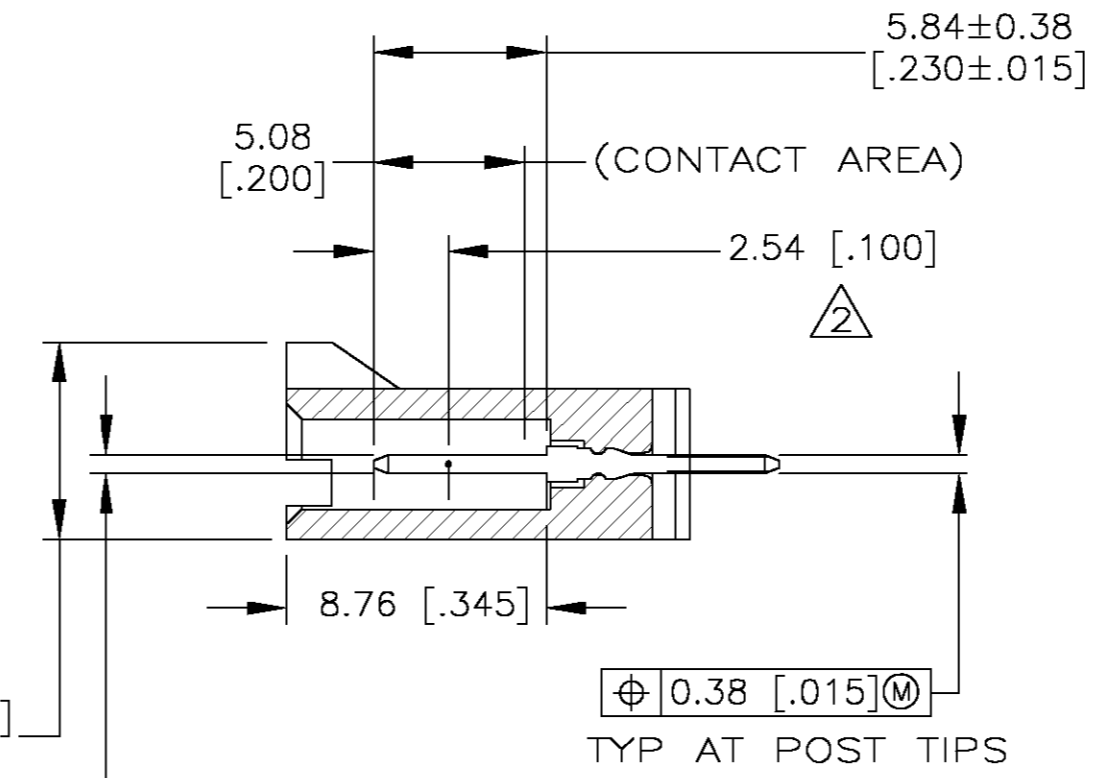
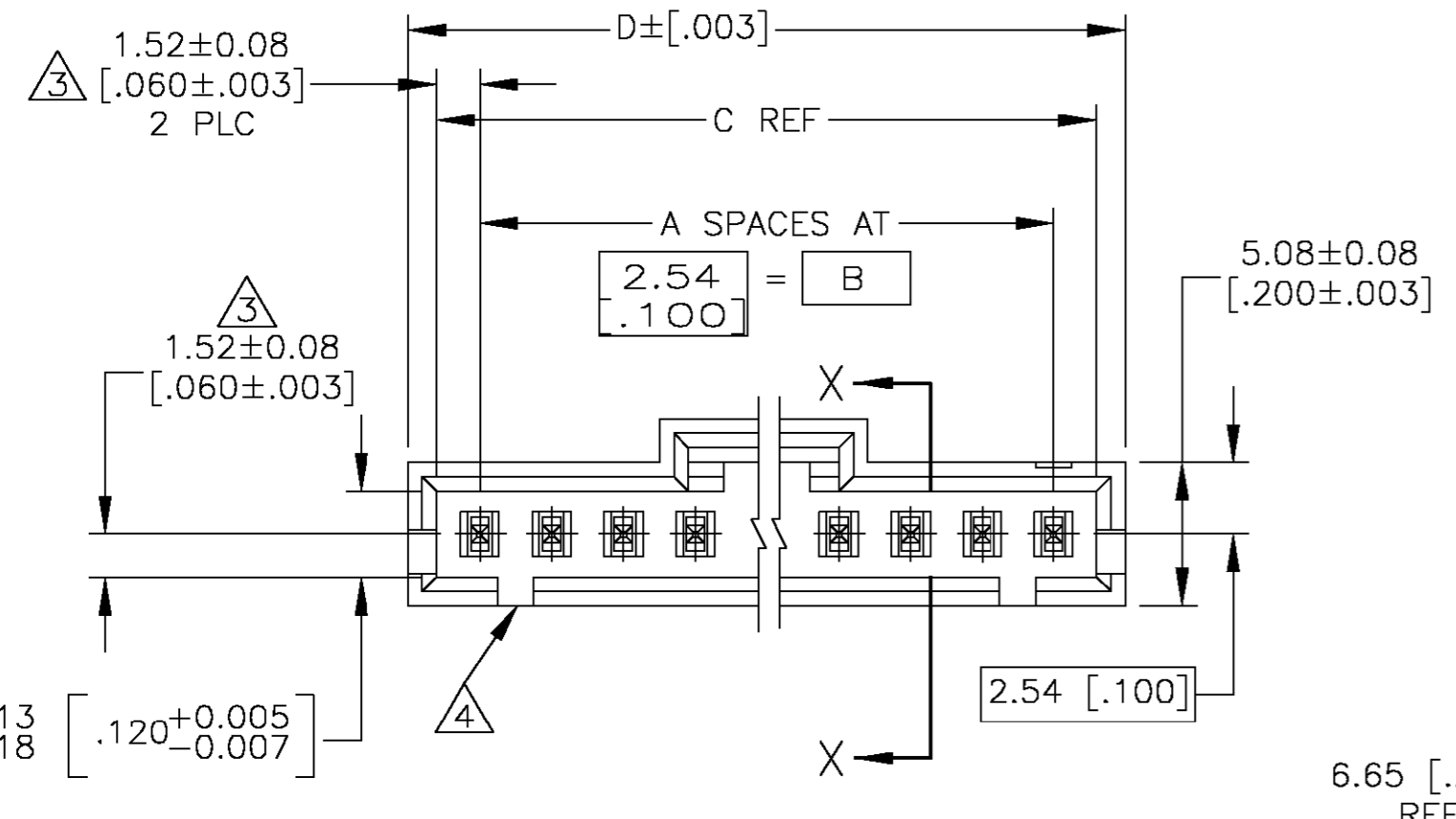


LOC	DIST	REVISIONS			
P	LTR	DESCRIPTION	DATE	DWN	APVD
AD	00	S	REV PER 0G3C-0441-00	09FEB01	MB KW



- 1 0.000381 [.000015] GOLD IN THE CONTACT AREA, 0.00254-0.00508 [.000100-.000200] MATTE TIN-LEAD ON THE SOLDER TAIL, ALL OVER ALL OVER 0.00127 [.000050] NICKEL.
- 2 POINT OF MEASUREMENT FOR PLATING THICKNESS
- 3 THE NOTED DIMENSIONS APPLY FROM THE BASIC DIMENSION LINE (NOT THE POST CENTERLINE) TO THE SURFACE INDICATED
- 4 ONE POLARIZATION SLOT FOR 2 POSITION ASSEMBLY ONLY.
- 5 SELECT POST TAILS FORMED TO PROVIDE CONNECTOR HOLD DOWN UNTIL SOLDERED, CONFIGURATION ACCEPTS 0.69-2.03 [.027-.080] THICK PRINTED CIRCUIT BOARD (SEE DETAIL Z).
- 6 DIMENSIONS NOTED ARE FOR SOLDER STENCIL LAYOUT FOR USE WITH 1.57±0.20 [.062±.008] THICK PRINTED CIRCUIT BOARDS.
- 7 PARTS ARE PACKAGED IN GANG OF TUBES

- 8 OBSOLETE PART NO., REFER TO DWG 104909 FOR POS 13 THRU 25.
- 9 HOUSING: HIGH TEMPERATURE THERMOPLASTIC, COLOR-BLACK. POSTS: BRASS.



RECOMMENDED PC BOARD MOUNTING DIMENSIONS
 RECOMMENDED STENCIL THICKNESS = 0.25 [.010]

66.04 [2.600]	64.01 [2.520]	60.96 [2.400]	24	25	8	2-104362-4
63.5 [2.500]	61.47 [2.420]	58.42 [2.300]	23	24	8	2-104362-3
60.96 [2.400]	58.93 [2.320]	55.88 [2.200]	22	23	8	2-104362-2
58.42 [2.300]	56.39 [2.220]	53.34 [2.100]	21	22	8	2-104362-1
55.88 [2.200]	53.85 [2.120]	50.8 [2.000]	20	21	8	2-104362-0
53.34 [2.100]	51.31 [2.020]	48.26 [1.900]	19	20	8	1-104362-9
50.8 [2.000]	48.77 [1.920]	45.72 [1.800]	18	19	8	1-104362-8
48.26 [1.900]	46.23 [1.820]	43.18 [1.700]	17	18	8	1-104362-7
45.72 [1.800]	43.69 [1.720]	40.64 [1.600]	16	17	8	1-104362-6
43.18 [1.700]	41.15 [1.620]	38.1 [1.500]	15	16	8	1-104362-5
40.64 [1.600]	38.61 [1.520]	35.56 [1.400]	14	15	8	1-104362-4
38.1 [1.500]	36.07 [1.420]	33.02 [1.300]	13	14	8	1-104362-3
35.56 [1.400]	33.53 [1.320]	30.48 [1.200]	12	13	8	1-104362-2
33.02 [1.300]	30.99 [1.220]	27.94 [1.100]	11	12	8	1-104362-1
30.48 [1.200]	28.45 [1.120]	25.4 [1.000]	10	11	8	1-104362-0
27.94 [1.100]	25.91 [1.020]	22.86 [0.900]	9	10	8	104362-9
25.4 [1.000]	23.37 [0.920]	20.32 [0.800]	8	9	8	104362-8
22.86 [0.900]	20.83 [0.820]	17.78 [0.700]	7	8	8	104362-7
20.32 [0.800]	18.29 [0.720]	15.24 [0.600]	6	7	8	104362-6
17.78 [0.700]	15.75 [0.620]	12.7 [0.500]	5	6	8	104362-5
15.24 [0.600]	13.21 [0.520]	10.16 [0.400]	4	5	8	104362-4
12.7 [0.500]	10.67 [0.420]	7.62 [0.300]	3	4	8	104362-3
10.16 [0.400]	8.13 [0.320]	5.08 [0.200]	2	3	8	104362-2
7.62 [0.300]	5.59 [0.220]	2.54 [0.100]	1	2	8	104362-1
D	C	B	A	NO OF POSN	ASSEMBLY PART NUMBER	

THIS DRAWING IS A CONTROLLED DOCUMENT.

DIMENSIONS: INCHES	TOLERANCES UNLESS OTHERWISE SPECIFIED:	DWN: G. DOUTY 2-22-88	CHK: T. C. CLARK 2-22-88	APVD: -	NAME: -
0 PLC ± -	1 PLC ± -	2 PLC ± -	3 PLC ± .005	4 PLC ± -	ANGLES ± -
MATERIAL: -	FINISH: -	PRODUCT SPEC: -	APPLICATION SPEC: -	WEIGHT: -	RESTRICTED TO: -
CUSTOMER DRAWING		SCALE: 4:1	SHEET: 1 OF 1	REV: S	

AMP Tyco Electronics Corporation Harrisburg, PA 17105

HEADER ASSY, AMPMODU MTE, VERTICAL SINGLE ROW, .100 C/L, .025 SQ POST POLARIZED, WITH LATCHING & HOLD DOWN

SIZE: A2 CAGE CODE: 00779 DRAWING NO: 104362