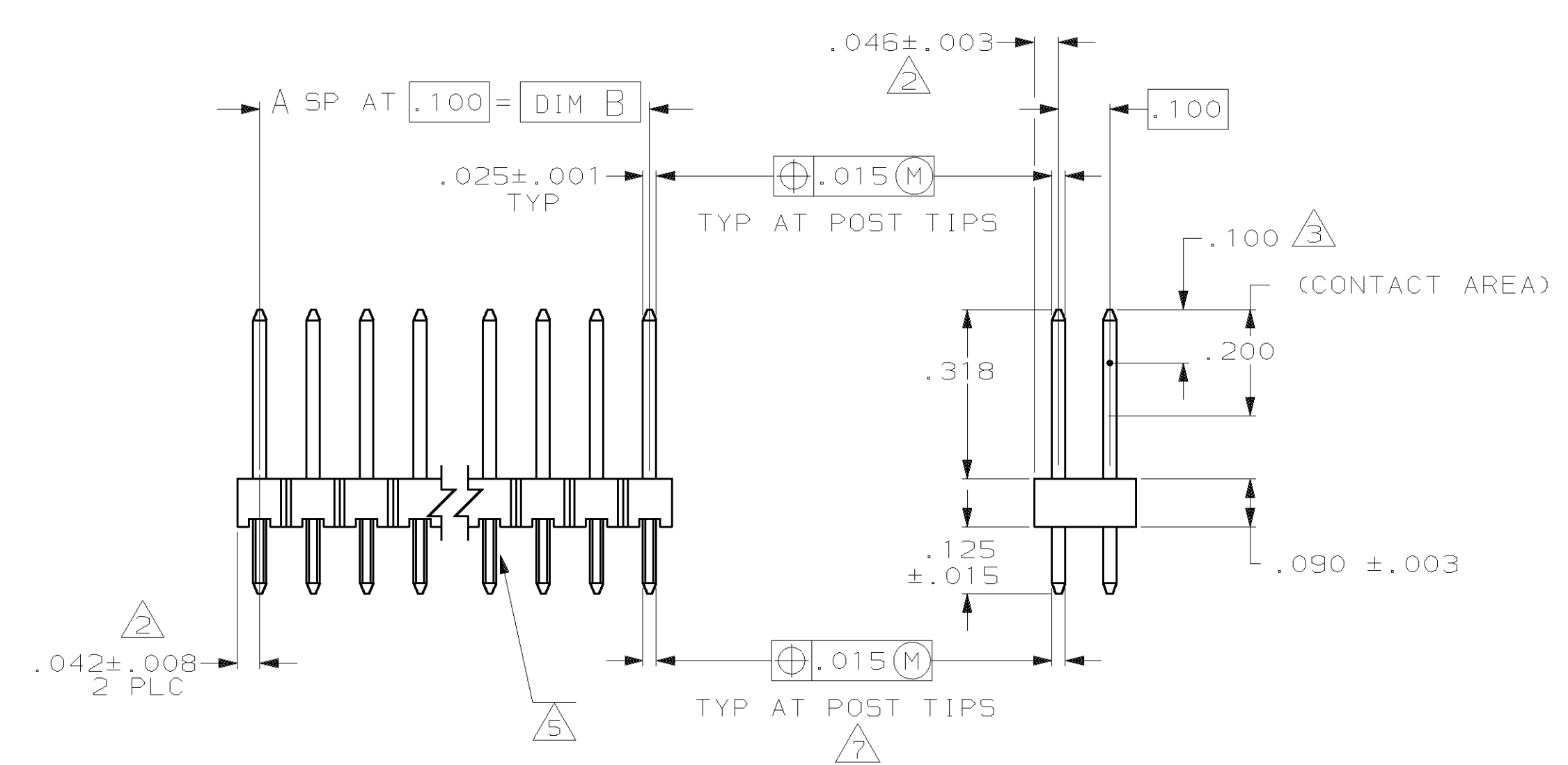
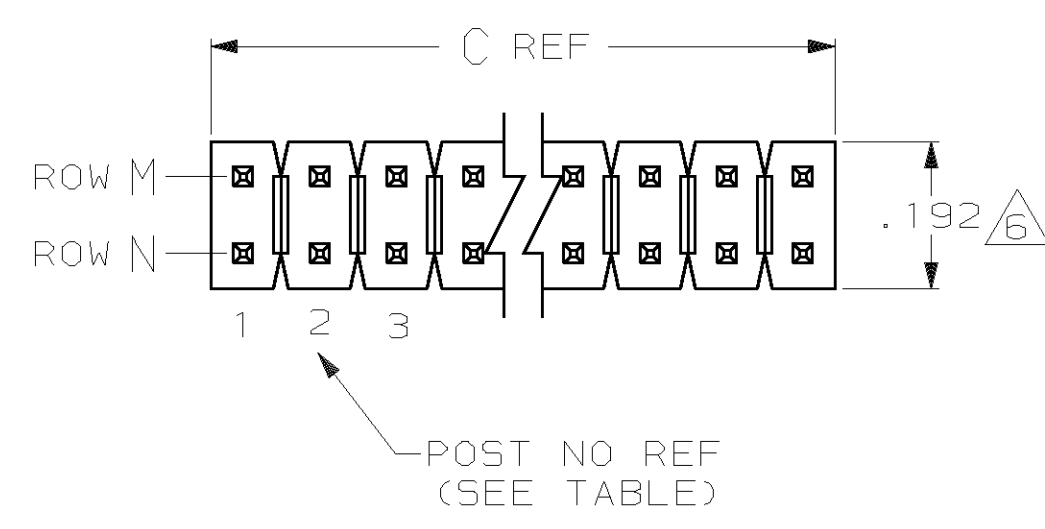
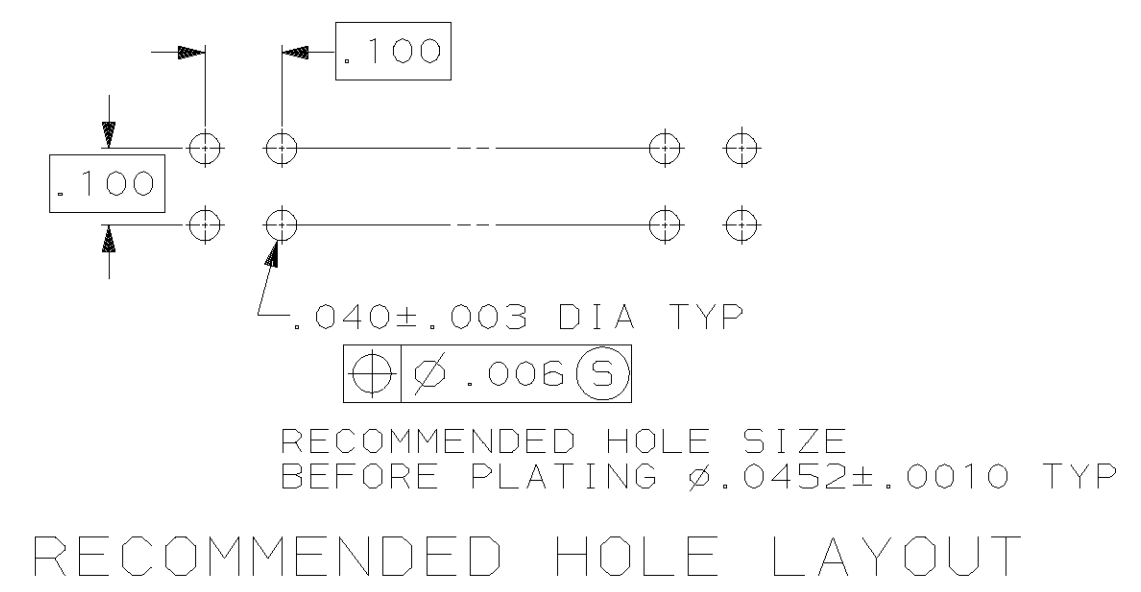


REVISIONS								
LOC	DIST	P	F	ZONE	LTR	DESCRIPTION	DATE	APPD
AD	39				P	REV PER 063C-0249-99	03FEB00	JG



- TRUE POSITION TOLERANCE OF THE POST TIPS APPLIES WHEN THE HEADER IS HELD FLAT AGAINST THE PRINTED CIRCUIT BOARD.
- THE NOTED DIMENSIONS APPLY AT THE INTERSECTION OF THE POST AND HOUSING.
- POINT OF MEASUREMENT FOR PLATING THICKNESS.
- OBSOLETE PART NUMBER.
- RETENTION FEATURES ON SOLDER TAILS, LOCATED AT MANUFACTURERS OPTION.
- FOR 2 POSITION PART ONLY, THE NOTED DIMENSION IS .184±.016.
- Ø.020 (M) FOR KINKED TAILS.



3.284	3.200	32	66	2-104433-4
1.784	1.700	17	36	2-104433-3
3.484	3.400	34	70	2-104433-2
2.184	2.100	21	44	2-104433-1
3.984	3.900	39	80	2-104433-0
2.984	2.900	29	60	1-104433-9
2.484	2.400	24	50	1-104433-8
1.984	1.900	19	40	1-104433-7
1.684	1.600	16	34	1-104433-6
1.484	1.400	14	30	1-104433-5
1.384	1.300	13	28	1-104433-4
1.284	1.200	12	26	1-104433-3
1.184	1.100	11	24	1-104433-2
1.084	1.000	10	22	1-104433-1
.984	.900	9	20	1-104433-0
.884	.800	8	18	104433-9
.784	.700	7	16	104433-8
.684	.600	6	14	104433-7
.584	.500	5	12	104433-6
.484	.400	4	10	104433-5
.384	.300	3	8	104433-4
.284	.200	2	6	104433-3
.184	.100	1	4	104433-2
.084	—	—	2	104433-1
C	B	A	NO OF POSN	ASSEMBLY PART NUMBER

DO NOT SCALE PRINT. UNLESS SPECIFIED DIMENSIONS IN INCHES TOLERANCES - ON : 2 PLC DEC ± - 3 PLC DEC ± .005 ANGLES ± -	DR 6-23-88 H MOLL CHK 6-23-88 R FEIDT APPD 6-23-88 R FEIDT	AMP INCORPORATED Harrisburg, Pa. 17105 NAME HEADER ASSY, MOD II, BREAKAWAY, DBL ROW, .100X.100Ø, VERT, .025 50 POSTS, WITH RETENTION FEATURE
MATERIAL HOUSING, FLAME RETARDANT THERMOPLASTIC COLOR-BLACK POST, PHOSPHOR BRONZE	APPD 6-23-88 W T PARKER PRODUCT SPEC -	
FINISH POSTS: .000015 GOLD IN CONTACT AREA, .000100-.000200 MATTE TIN-LEAD ON SOLDER TAIL, ALL OVER .000050 NICKEL	APPLICATION SPEC - WEIGHT -	
SIZE <b>D</b>	FSCM NO 00779	DRAWING NO 104433
SCALE 4:1	SHEET 1 OF 1	