



Surface-Mount Receptacles, .050 [1.27] Centers, Board-to-Board

Double Row, Vertical

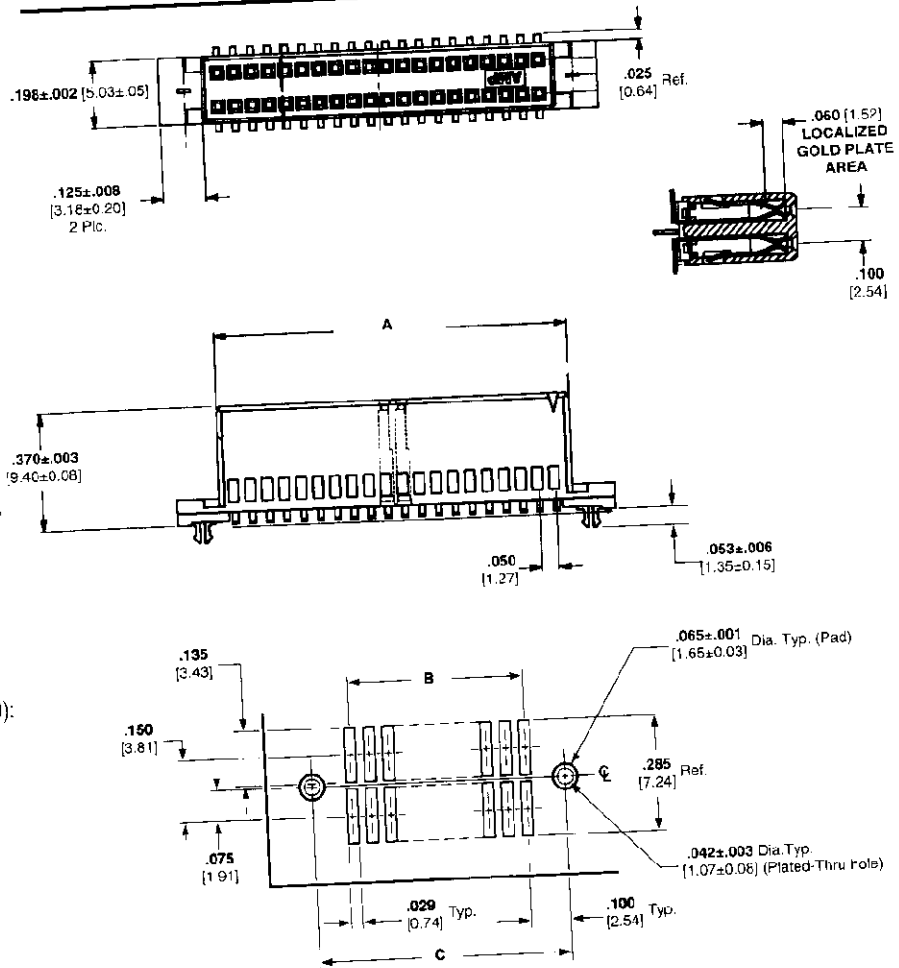


Photo 109794

Material and Finish:

- Housing**—Glass-filled, black thermoplastic, 94V-0 rated
- Contacts**—Phosphor bronze, plated .00003C [0.00076] gold in mating area, .000150 [0.00381] tin-lead on solder tail, with entire contact underplated .000C50 [0.00127] nickel
- Holddown**—Copper alloy, plated .000150 tin-lead over .000050 [0.00127] nickel

- Technical Documents** (page 70):
- Product Specification** 108-1093
 - Application Specification** 114-25035



Recommended PC Board Layout

No. of Positions	Dimensions			Part Numbers	
	A	B	C	Pkg in Tube	Pkg in Tape & Reel*
10	.294 7.47	.200 5.08	.400 10.16	104550-1	146883-3
20	.544 13.82	.450 11.43	.650 16.51	104550-2	146883-4
24	.644 16.36	.550 13.97	.750 19.05	104550-3	146883-1
30	.794 20.17	.700 17.78	.900 22.86	104550-4	146883-2
40	1.044 26.52	.950 24.13	1.150 29.21	104550-5	146883-5
50	1.294 32.87	1.200 30.48	1.400 35.56	104550-6	146883-6
60	1.544 39.22	1.450 36.83	1.650 41.91	104550-7	146883-7
80	2.044 51.92	1.950 49.53	2.150 54.61	104550-8	146883-8
100	2.544 64.62	2.450 62.23	2.650 67.31	104550-9	146883-9

*Parts packaged in tape and reel without hold downs and with vacuum pick and place button