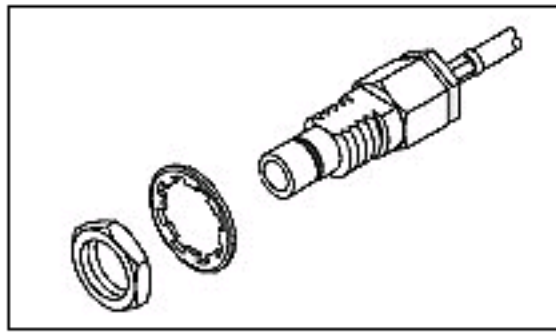




[Home](#) > [Products](#) > [RF & Coax](#) > [Product Feature Selector](#) > Product Details

1060329-1 Product Details

[Share](#) | [Print](#) | [Email](#)


1060329-1

TE Internal Number: 1060329-1
✔ [Active](#)

SMB RF Connectors

✔ [Always EU RoHS/ELV Compliant \(Statement of Compliance\)](#)

Product Highlights:

- Connector - RF
- Jack
- Standard
- Applies To Coaxial Cable
- Coupler Style = Quick Connect/Disconnect

[View all Features](#)

[Add to My Part List](#) |
 [Request Sample](#) |
 [Find Similar Products](#) |
 [Buy Product](#)

Quick Links

- ▶ [Check Pricing & Availability](#)
- ▶ [Search for Tooling](#)
- ▶ [Product Feature Selector](#)
- ▶ [Contact Us About This Product](#)

Documentation & Additional Information

Product Drawings:

- None Available

Catalog Pages/Data Sheets:

- None Available

Product Specifications:

- None Available

Application Specifications:

- None Available

Instruction Sheets:

- [SMB Bulkhead Feedthrough Cable Jack Clamp Attachment...](#) (PDF, English)

CAD Files:

- None Available

Related Products:

- [Tooling](#)

[List all Documents](#)

Product Features (Please use the Product Drawing for all design activity)

Product Type Features:

- [Product Type](#) = Connector - RF
- [Gender](#) = Jack
- Connector Series = Standard
- [Body Style](#) = Straight
- [Grade](#) = Commercial
- Board Standoff = Without
- Profile = Standard
- Dielectric Material = TFE Fluorocarbon

Mechanical Attachment:

- [Panel Mount Retention](#) = With
- [Panel Attachment Style](#) = Rear Mount
- Panel Mount Retention Type = Bulkhead

Electrical Characteristics:

- [Connector Impedance \(Ω\)](#) = 50

Termination Features:

- Coaxial Cable Termination Type = Clamp

Body Features:

- Coupler Style = Quick Connect/Disconnect
- [Pin Protection](#) = Without
- Solder Lug = Without
- [Body Plating](#) = Gold per MIL-G-45204, Type II, Grade C, Class 1

Contact Features:

- [Center Contact Plating](#) = Gold over Copper
- Preloaded = Yes

Configuration Features:

- [Coaxial Cable Type \(RG/U or Mfg.\)](#) = 174, 188, 316
- Environmental Protection = Without

Industry Standards:

- [RoHS/ELV Compliance](#) = RoHS compliant, ELV compliant
- [Lead Free Solder Processes](#) = Not relevant for lead free process
- RoHS/ELV Compliance History = Always was RoHS compliant

Conditions for Usage:

- [Applies To](#) = Coaxial Cable

Other:

- Brand = AMP

Corporate Information

- [About TE](#)
- [Investors](#)
- [News Room](#)
- [Supplier Portal](#)
- [Careers](#)

Quick Links

- [Check Distributor Inventory](#)
- [Cross Reference Products](#)
- [Find Documents & Drawings](#)
- [Product Compliance Support Center](#)
- [Site Map](#)

Customer Support

- [Email or Chat With Us](#)
- [Find a Phone Number](#)
- [Search Knowledge Base](#)
- [Manage Your Account](#)

Keep Me Informed

Receive TE News, Events & Technology Updates

[▶](#)

