

Distributed by:

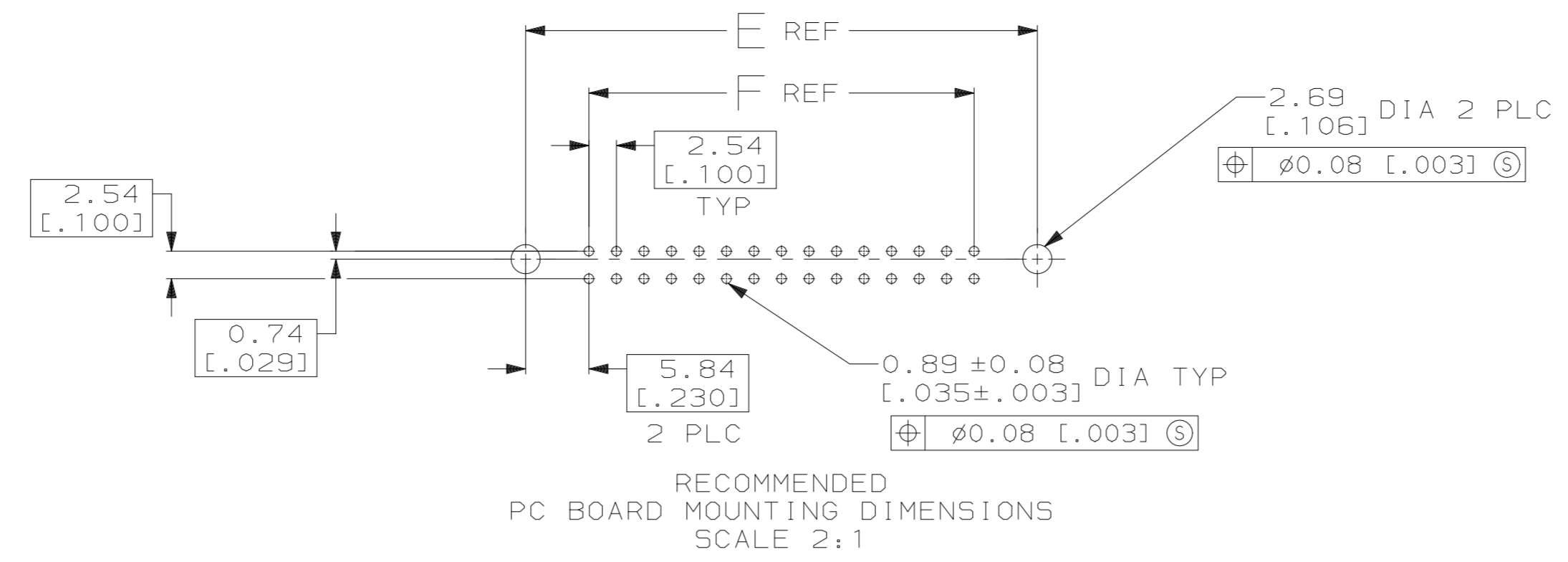
JAMECO[®]
ELECTRONICS

www.Jameco.com ♦ 1-800-831-4242

The content and copyrights of the attached
material are the property of its owner.

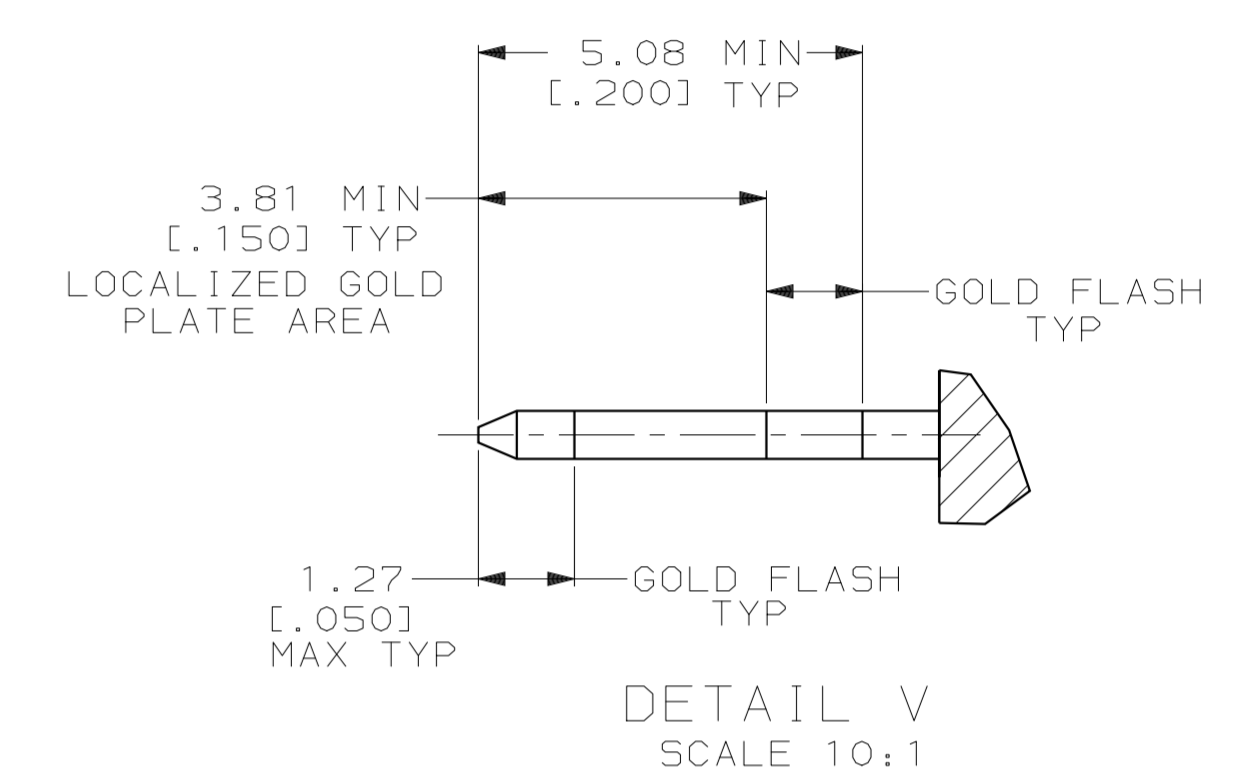
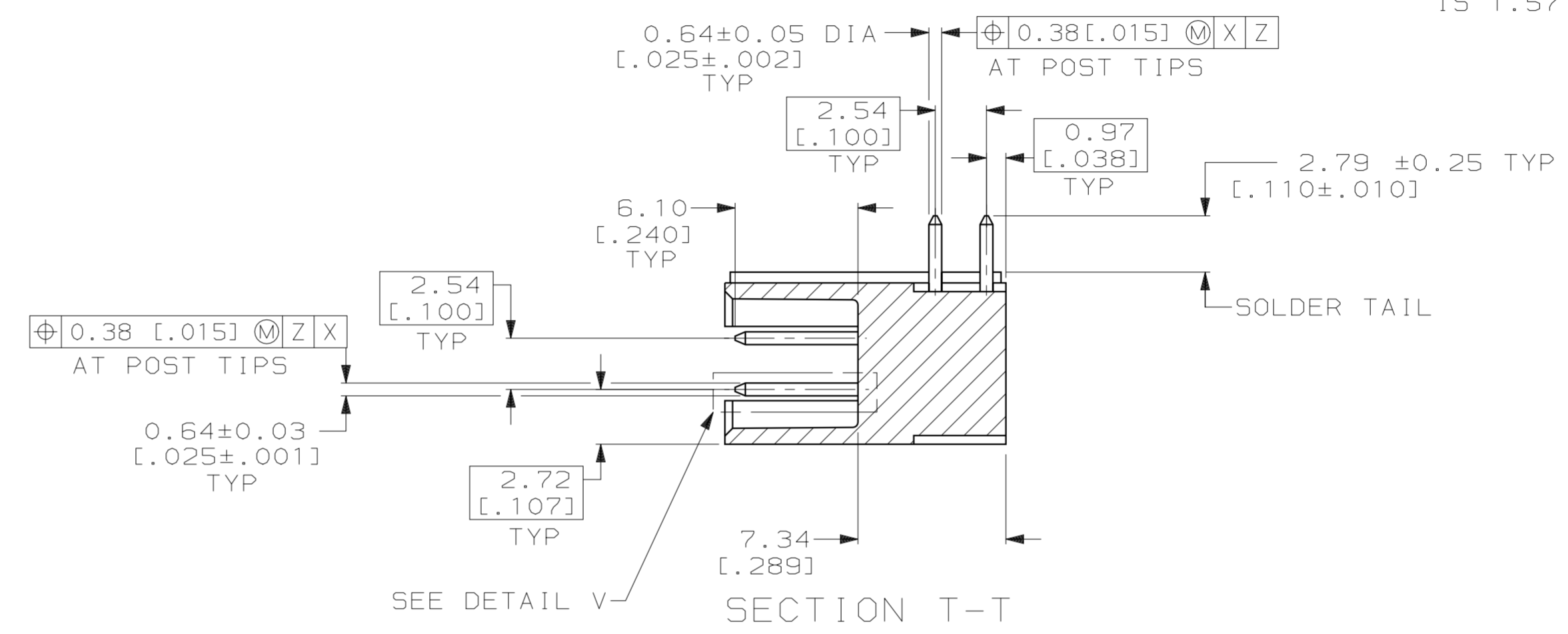
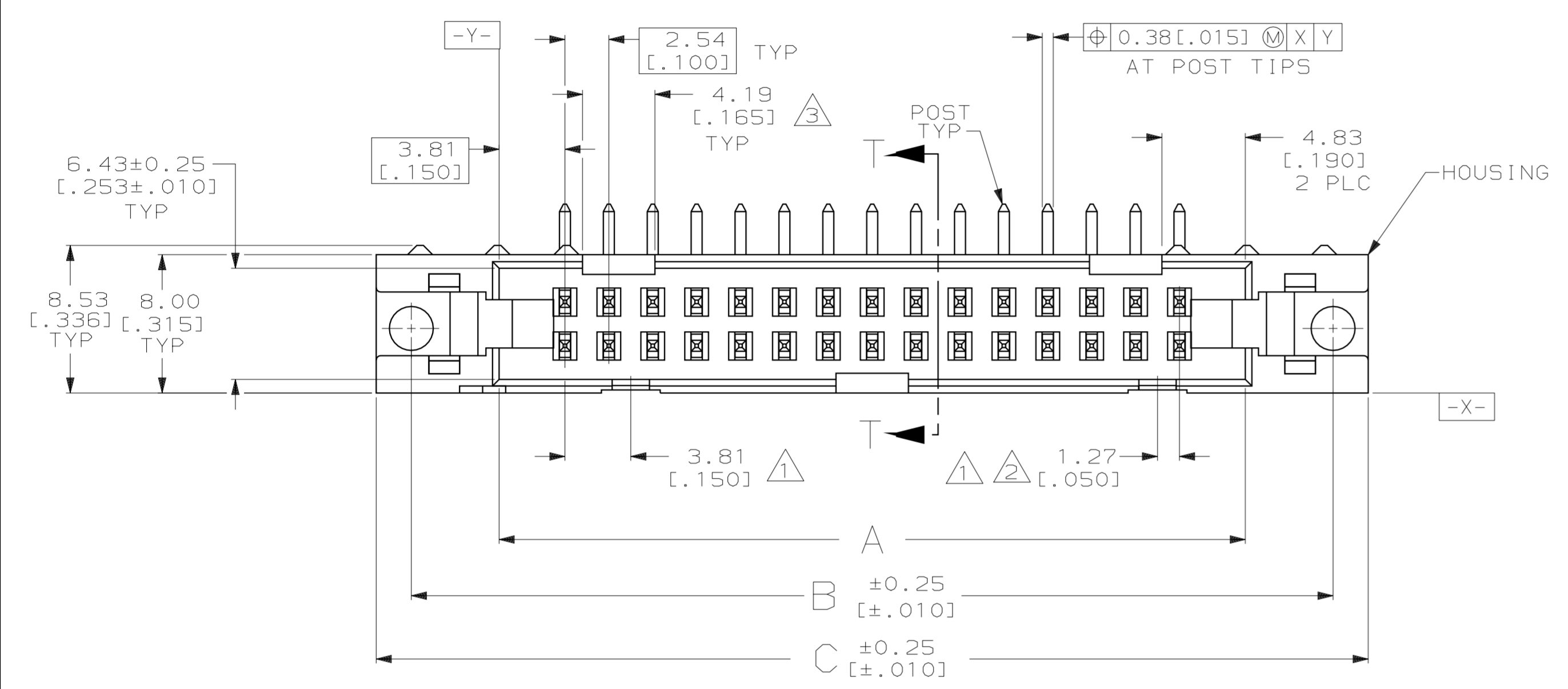
Jameco Part Number 886833

LOC		DIST		P		F		ZONE		LTR		REVISIONS		
GP	00											DESCRIPTION	DATE	APPD
											J	REV PER EC 0513-0347-05	20MAR06	SB

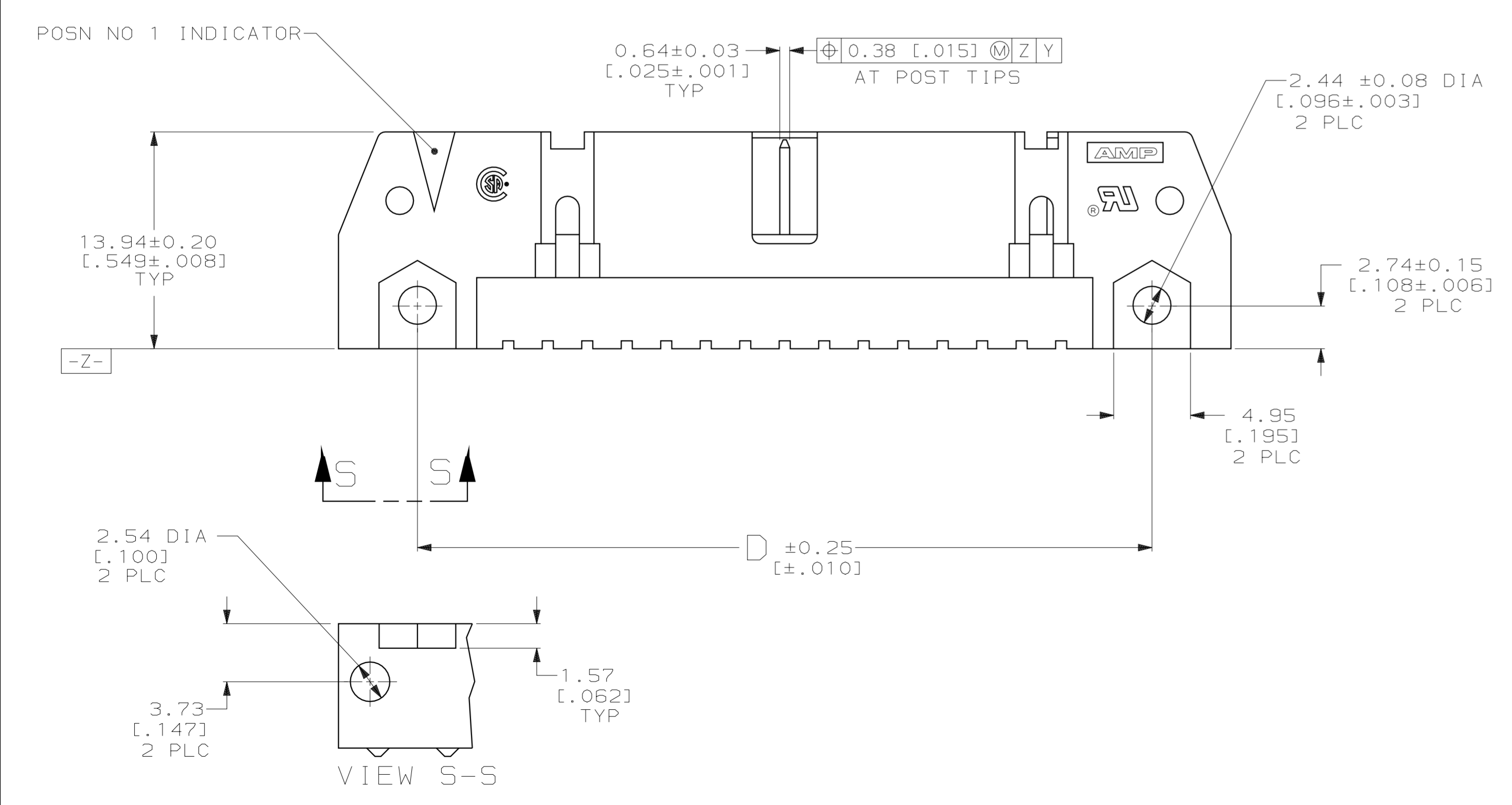


RECOMMENDED
PC BOARD MOUNTING DIMENSIONS
SCALE 2:1

- 1 COORDINATE DIMENSION APPLIES FROM BASIC LOCATION.
- 2 10 AND 14 POSITION SIZES CONTAIN ONLY ONE SLOT FOR SNAP-IN POLARIZER (MILITARY POLARIZATION) LOCATED AS SHOWN.
- 3 10 POSITION SIZES CONTAIN ONLY ONE SLOT FOR DUAL POLARIZATION, LOCATED AS SHOWN.
- 4. RECOMMENDED PRINTED CIRCUIT BOARD THICKNESS IS 1.57 [0.062].



OBsolete	53.34	65.02	65.02	75.18	71.12	60.96	44	1-102159-3
	78.74	90.42	90.42	100.58	96.52	86.36	64	1-102159-2
	73.66	85.34	85.34	95.50	91.44	81.28	60	1-102159-1
	60.96	72.64	72.64	82.80	78.74	68.58	50	1-102159-0
	48.26	59.94	59.94	70.10	66.04	55.88	40	102159-9
	40.64	52.32	52.32	62.48	58.42	48.26	34	102159-8
	35.56	47.24	47.24	57.40	53.34	43.18	30	102159-7
	30.48	42.16	42.16	52.32	48.26	38.10	26	102159-6
OBsolete	27.94	39.62	39.62	49.78	45.72	35.56	24	102159-5
	22.86	34.54	34.54	44.70	40.64	30.48	20	102159-4
	17.78	29.46	29.46	39.62	35.56	25.40	16	102159-3
	15.24	26.92	26.92	37.08	33.02	22.86	14	102159-2
	10.16	21.84	21.84	32.00	27.94	17.78	10	102159-1
	F	E	D	C	B	A	NO OF POSN	PART NUMBER



VIEW S-S

DO NOT SCALE PRINT. UNLESS SPECIFIED DIMENSIONS IN mm [INCHES] TOLERANCES: ON: 2 PLC DEC ± 0.13 [0.005] 3 PLC DEC ± - ANGLES ± - MATERIAL HOUSING: GLASS FILLED NYLON OR POLYESTER, 94V-0 RATED; BLACK POSTS: PH BRZ

DR 4-23-90 H.MOLL
 CHK 11/28/90 R.STONE
 APPD 11/29/90 S.GOOD
 APPD 11/26/90 D.HOFFMAN
 PRODUCT SPEC 108-40018
 APPLICATION SPEC -
 WEIGHT -

AMP INCORPORATED Harrisburg, Pa. 17105

NAME: HEADER ASSY, UNIVERSAL, AMP-LATCH

PRODUCT SPEC 108-40018

FINISH POSTS: 0.38µm [0.000015] MIN GOLD ON LOCALIZED GOLD PLATE AREA, 2.54µm [0.000100] MIN BRIGHT TIN-LEAD ON SOLDER TAIL, ALL OVER 1.27µm [0.000050] MIN NICKEL ON ENTIRE POST

SIZE D CAGE CODE 00779 DRAWING NO 102159 SCALE 4:1 SHEET 1 OF 1