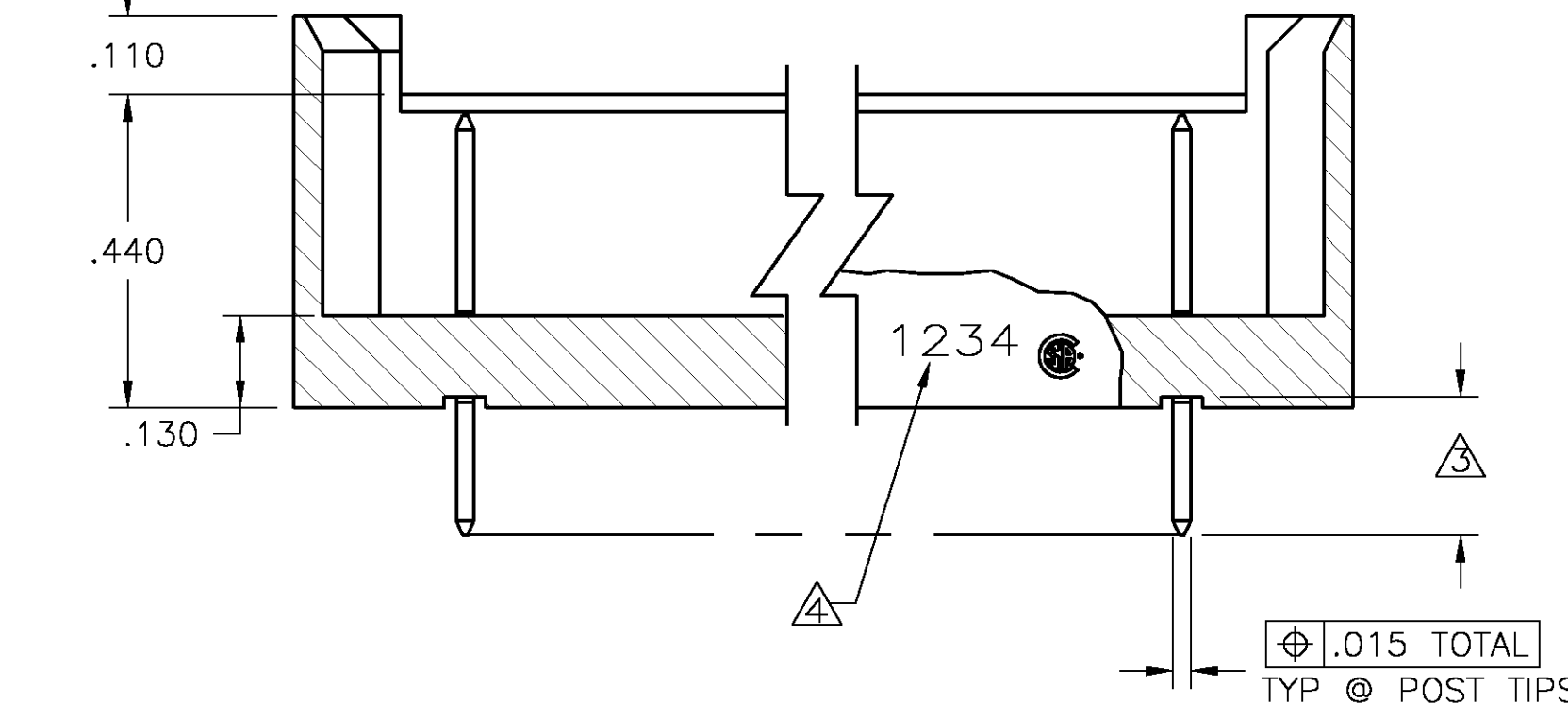
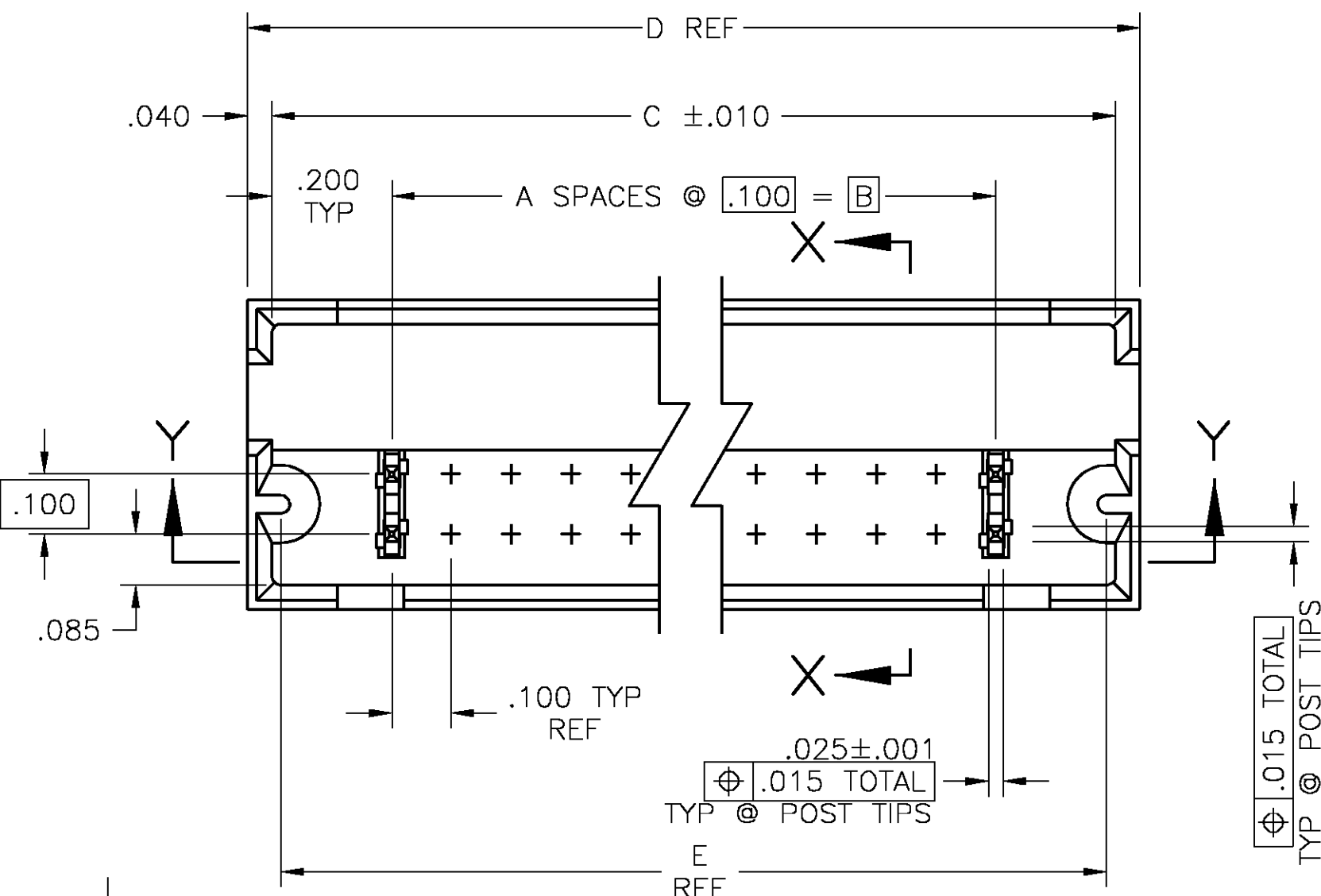
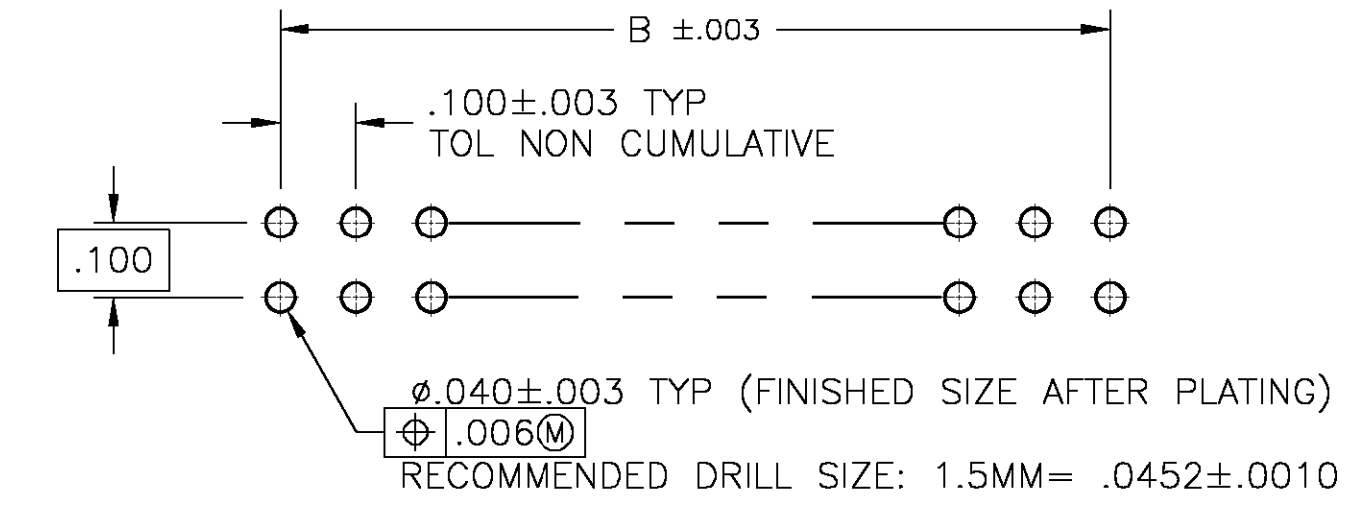


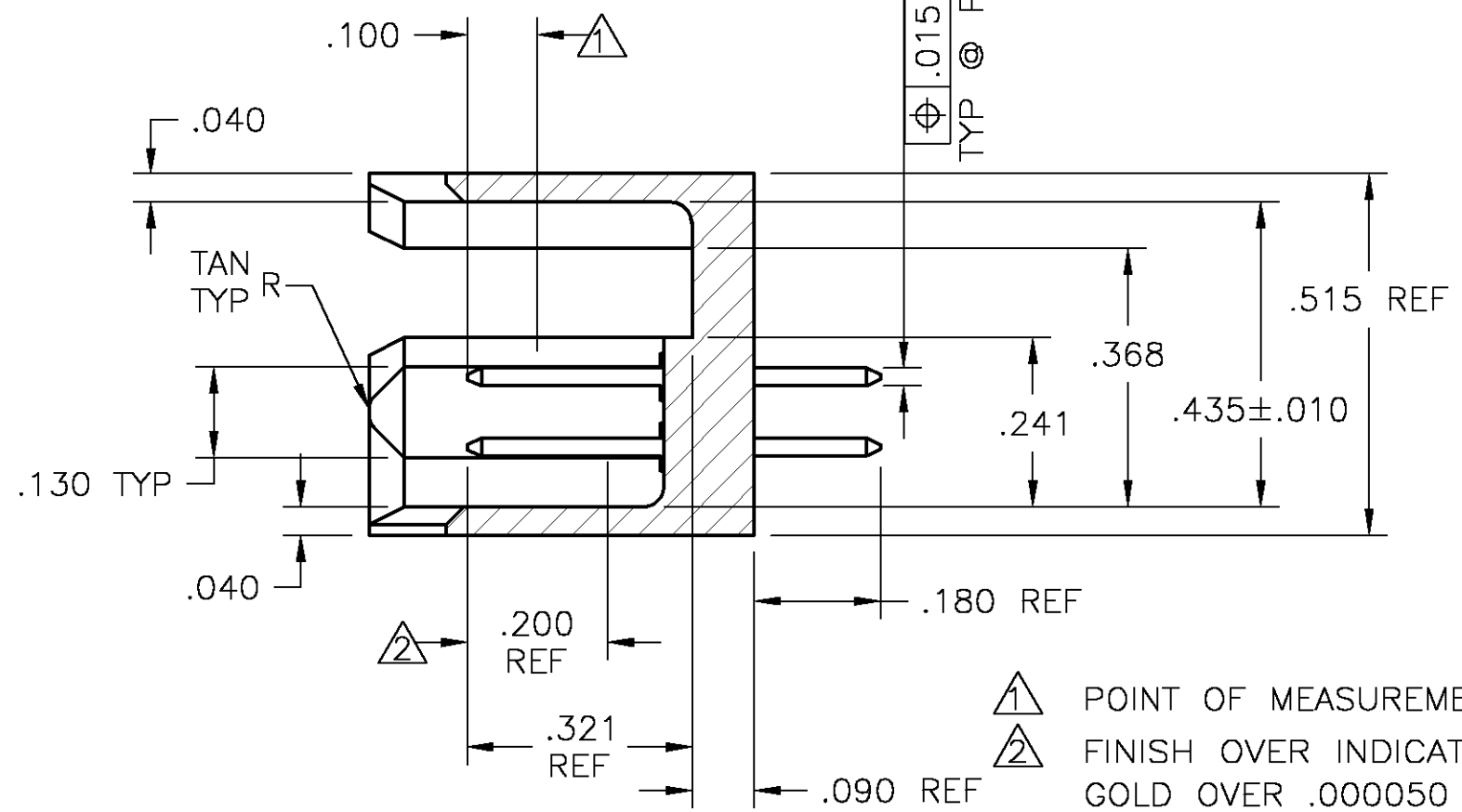
LOC		DIST		REVISIONS			
AD	00	P	LTR	DESCRIPTION	DATE	DWN	APVD
		L		REV PER 0G3C-0518-00	18 JAN01	MB	JG



SECTION Y-Y



RECOMMENDED HOLE SIZE



SECTION X-X

- ① POINT OF MEASUREMENT FOR PLATING THICKNESS.
- ② FINISH OVER INDICATED AREA: .000030 GOLD OVER .000050 NICKEL.
- ③ FINISH OVER INDICATED AREA: .000100-.000200 BRIGHT TIN LEAD OVER .000050 NICKEL.

- ④ RECESSED DATE CODE AND LOGO.
- ⑤ OBSOLETE PART NUMBER.
- ⑥ PRELIMINARY PART - NOT RELEASED FOR PRODUCTION

⑥	1.570	1.680	1.600	1.200	12	26	2-102692-9
⑤	8.270	8.380	8.300	7.900	79	160	2-102692-8
⑤	4.970	5.080	5.000	4.600	46	94	2-102692-7
⑤	2.470	2.580	2.500	2.100	21	44	2-102692-6
⑤	.970	1.080	1.000	.600	6	14	2-102692-5
⑤	9.270	9.380	9.300	8.900	89	180	2-102692-4
⑤	7.670	7.780	7.700	7.300	73	148	2-102692-3
⑤	6.670	6.780	6.700	6.300	63	128	2-102692-2
⑤	7.270	7.380	7.300	6.900	69	140	2-102692-1
	E	D	C ±.010	B	A	NO. OF POSN	PART NUMBER

6.770	6.880	6.800	6.400	64	130	2-102692-0
4.570	4.680	4.600	4.200	42	86	1-102692-9
3.870	3.980	3.900	3.500	35	72	1- -8
1.770	1.880	1.800	1.400	14	30	1- -7
1.270	1.380	1.300	.900	9	20	1- -6
1.070	1.180	1.100	.700	7	16	1- -5
3.770	3.880	3.800	3.400	34	70	1-102692-4
2.270	2.380	2.300	1.900	19	40	1-102692-3
4.770	4.880	4.800	4.400	44	90	1-102692-2
10.270	10.380	10.300	9.900	99	200	1-102692-1
5.770	5.880	5.800	5.400	54	110	1-102692-0
6.270	6.380	6.300	5.900	59	120	102692-9
5.270	5.380	5.300	4.900	49	100	-8
5.070	5.180	5.100	4.700	47	96	-7
4.270	4.380	4.300	3.900	39	80	-6
3.270	3.380	3.300	2.900	29	60	-5
2.770	2.880	2.800	2.400	24	50	-4
2.070	2.180	2.100	1.700	17	36	-3
1.470	1.580	1.500	1.100	11	24	-2
.870	.980	.900	.500	5	12	102692-1
E	D	C ±.010	B	A	NO. OF POSN	PART NUMBER

THIS DRAWING IS A CONTROLLED DOCUMENT.

DIMENSIONS: INCHES	TOLERANCES UNLESS OTHERWISE SPECIFIED:	DWN: B. HAYMAKER 11JAN01	CHK: J. GESFORD 12NOV98	APVD: J. GESFORD 12NOV98	NAME: J. GESFORD
0 PLC ± -	1 PLC ± -	2 PLC ± -	3 PLC ± .005	4 PLC ± -	ANGLES ± -
MATERIAL: GLASS FILLED FLAME RETARDANT THERMOPLASTIC COLR:BLACK POST: COPPER ALLOY	FINISH: ① ③	WEIGHT: -	SIZE: A2	CAGE CODE: 00779	DRAWING NO: 102692
CUSTOMER DRAWING			SCALE: 4:1	SHEET: 1 OF 1	REV: 1

AMP Tyco Electronics Corporation Harrisburg, PA
 HEADER ASSEMBLY, MOD II, .100C.100CL, .025 SQ POSTS