

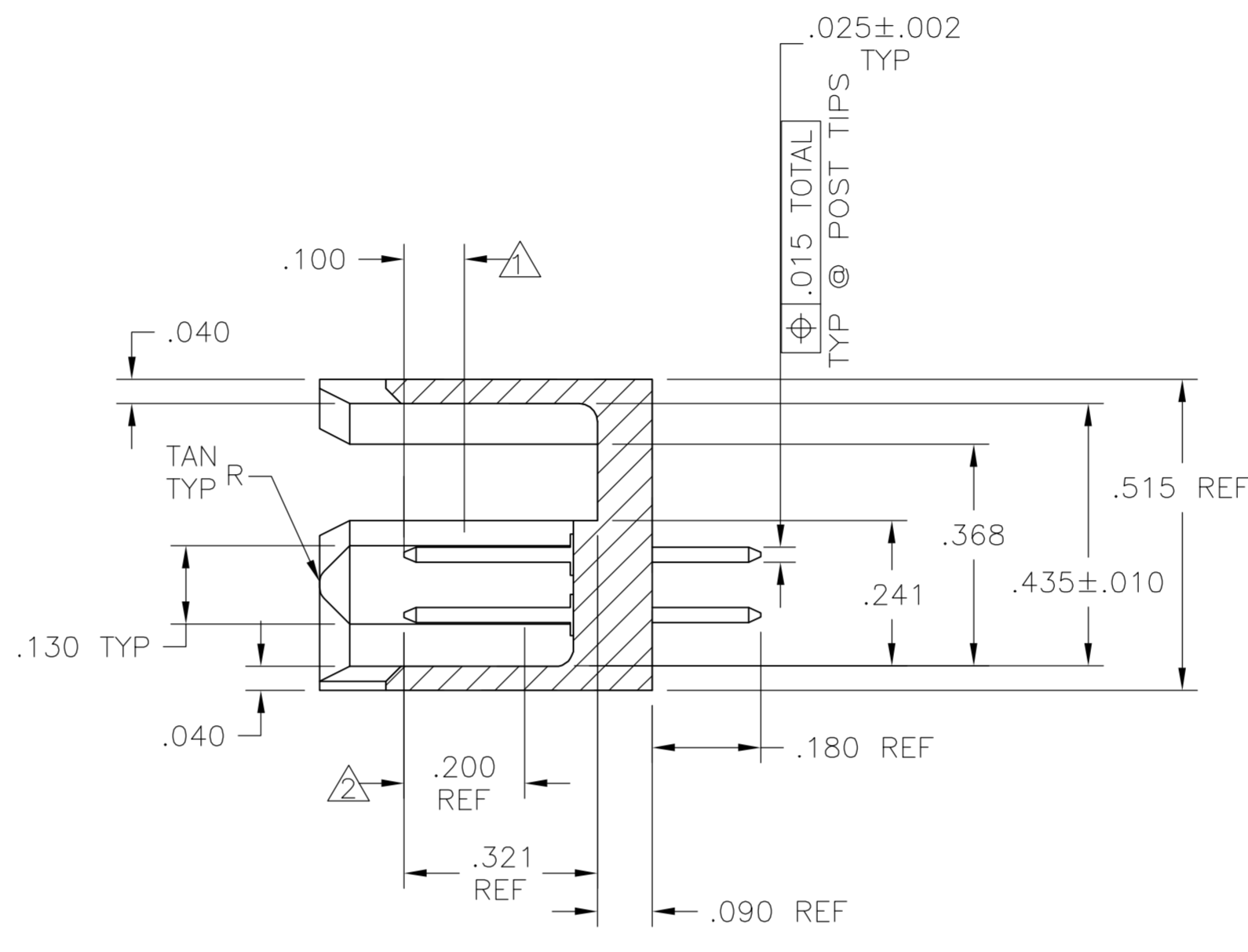
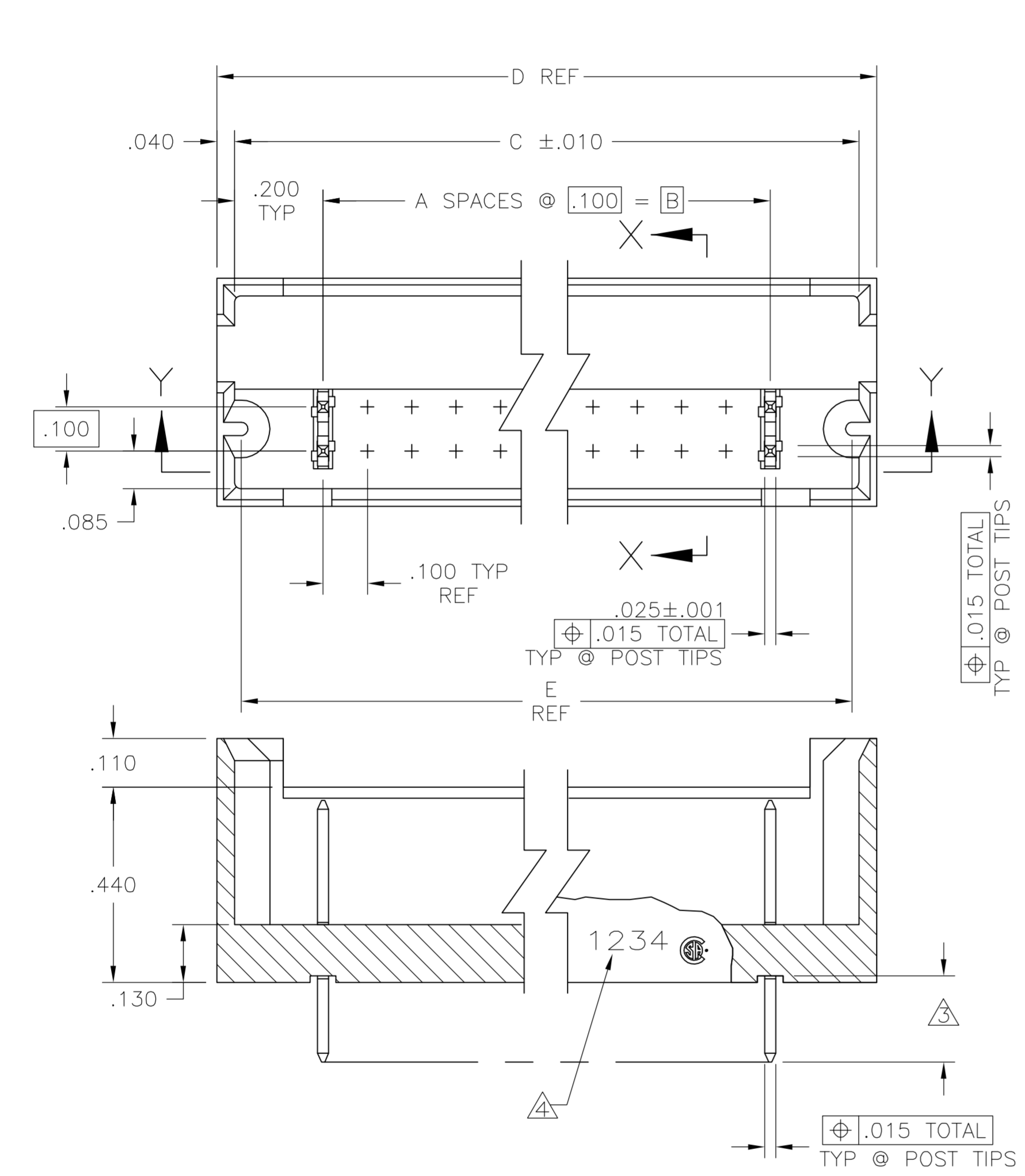
Distributed by:

**JAMECO**<sup>®</sup>  
ELECTRONICS

**www.Jameco.com ♦ 1-800-831-4242**

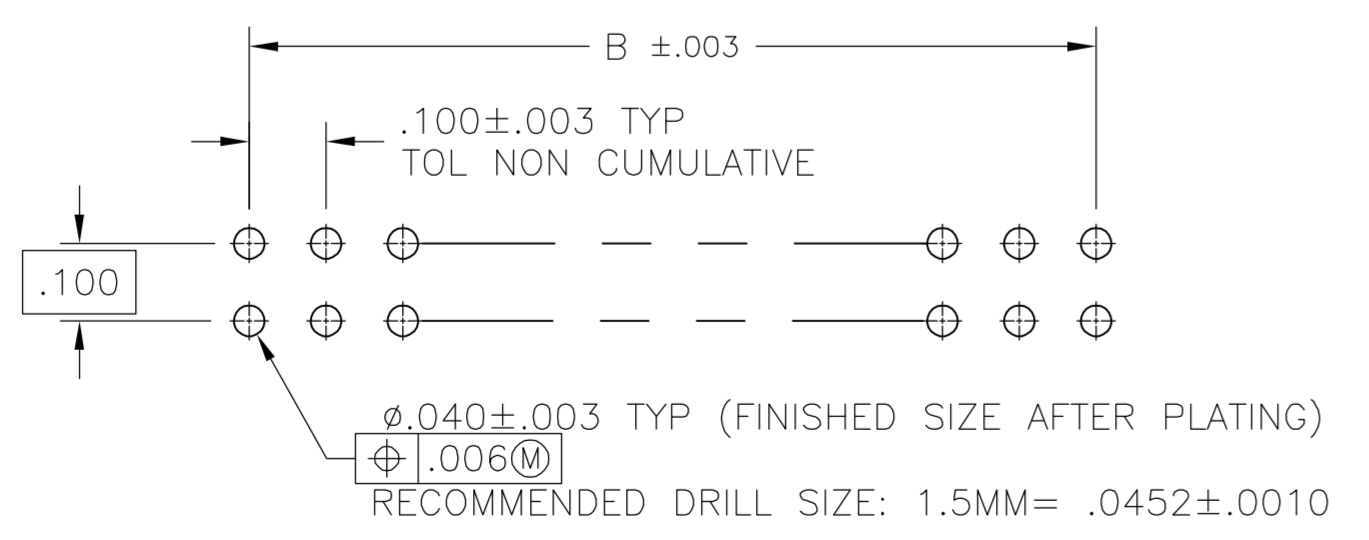
The content and copyrights of the attached  
material are the property of its owner.

Jameco Part Number 745117



SECTION X-X

SECTION Y-Y



RECOMMENDED HOLE SIZE

- 1 POINT OF MEASUREMENT FOR PLATING THICKNESS.
- 2 FINISH OVER INDICATED AREA: .000030 GOLD OVER .000050 NICKEL.
- 3 FINISH OVER INDICATED AREA: .000100-.000200 BRIGHT TIN LEAD OVER .000050 NICKEL.
- 4 RECESSED DATE CODE AND LOGO.
- 5 OBSOLETE PART NUMBER.
- 6 PRELIMINARY PART - NOT RELEASED FOR PRODUCTION
- 7 FINISH OVER INDICATED AREA: .000100-.000200 MATTE TIN OVER .000050 NICKEL.
- 8 ROHS 2002/95/EC COMPLIANT

NO. OF POSN	A	B	C ±.010	D	E	PART NUMBER
12	26	12	2.000	1.600	1.570	7-102692-9
160	79	79	7.900	8.300	8.270	7-102692-8
21	44	46	2.100	5.080	4.970	7-102692-7
6	14	21	.600	2.500	2.470	7-102692-6
180	89	6	1.000	1.080	.970	7-102692-5
148	73	89	7.300	7.700	7.670	7-102692-4
128	63	180	6.300	6.780	6.670	7-102692-3
140	69	128	6.900	7.380	7.270	7-102692-2
130	64	140	6.400	6.880	6.770	7-102692-1
86	42	64	4.200	4.680	4.570	6-102692-9
72	35	86	3.500	3.980	3.870	6-102692-8
30	14	72	1.400	1.770	1.770	6-102692-7
20	9	30	.900	1.270	1.270	6-102692-6
16	7	20	.700	1.070	1.070	6-102692-5
70	34	16	3.400	3.770	3.770	6-102692-4
40	19	70	1.900	2.270	2.270	6-102692-3
90	44	40	4.400	4.770	4.770	6-102692-2
200	99	90	9.900	10.270	10.270	6-102692-1
110	54	200	5.400	5.770	5.770	6-102692-0
120	59	110	5.900	6.270	6.270	5-102692-9
100	49	120	4.900	5.270	5.270	5-102692-8
96	47	100	4.700	5.070	5.070	5-102692-7
80	39	96	3.900	4.270	4.270	5-102692-6
60	29	80	2.900	3.270	3.270	5-102692-5
50	24	60	2.400	2.770	2.770	5-102692-4
36	17	50	1.700	2.070	2.070	5-102692-3
24	11	36	1.100	1.470	1.470	5-102692-2
12	5	24	.500	.870	.870	5-102692-1
26	12	26	1.200	1.570	1.570	2-102692-9
160	79	160	7.900	8.270	8.270	2-102692-8
94	46	160	4.600	4.970	4.970	2-102692-7
44	21	94	2.100	2.470	2.470	2-102692-6
14	6	44	.600	1.080	.970	2-102692-5
180	89	14	1.800	1.970	1.970	2-102692-4
148	73	180	7.300	7.670	7.670	2-102692-3
128	63	148	6.300	6.670	6.670	2-102692-2
140	69	128	6.900	7.270	7.270	2-102692-1
130	64	140	6.400	6.770	6.770	2-102692-0
86	42	130	4.200	4.570	4.570	1-102692-9
72	35	86	3.500	3.870	3.870	1-102692-8
30	14	72	1.400	1.770	1.770	1-102692-7
20	9	30	.900	1.270	1.270	1-102692-6
16	7	20	.700	1.070	1.070	1-102692-5
70	34	16	3.400	3.770	3.770	1-102692-4
40	19	70	1.900	2.270	2.270	1-102692-3
90	44	40	4.400	4.770	4.770	1-102692-2
200	99	90	9.900	10.270	10.270	1-102692-1
110	54	200	5.400	5.770	5.770	1-102692-0
120	59	110	5.900	6.270	6.270	102692-9
100	49	120	4.900	5.270	5.270	102692-8
96	47	100	4.700	5.070	5.070	102692-7
80	39	96	3.900	4.270	4.270	102692-6
60	29	80	2.900	3.270	3.270	102692-5
50	24	60	2.400	2.770	2.770	102692-4
36	17	50	1.700	2.070	2.070	102692-3
24	11	36	1.100	1.470	1.470	102692-2
12	5	24	.500	.870	.870	102692-1

THIS DRAWING IS A CONTROLLED DOCUMENT.

DIMENSIONS: INCHES 0 PLC ± - 1 PLC ± - 2 PLC ± - 3 PLC ± .005 4 PLC ± - ANGLES ± - MATERIAL: HEADERS: GLASS FILLED FLAME RETARDANT THERMOPLASTIC COLOR: BLACK POST: COPPER ALLOY FINISH: SEE TABLE	TOLERANCES UNLESS OTHERWISE SPECIFIED: 0 PLC ± - 1 PLC ± - 2 PLC ± - 3 PLC ± .005 4 PLC ± - ANGLES ± - FINISH: SEE TABLE	DWN: B. HAYMAKER 11 JAN 01 CHK: J. GESFORD 12 NOV 98 APVD: J. GESFORD 12 NOV 98 NAME: PRODUCT SPEC: APPLICATION SPEC: WEIGHT: - CUSTOMER DRAWING	Tyco Electronics Corporation Harrisburg, PA 17105-3608 NAME: HEADER ASSEMBLY, MOD II, .100C.100CL, .025 SQ POSTS SIZE: A1 CASE CODE: 00779 DRAWING NO: 102692 SCALE: 4:1 SHEET 1 OF 1 REV L1
---	---	---	--