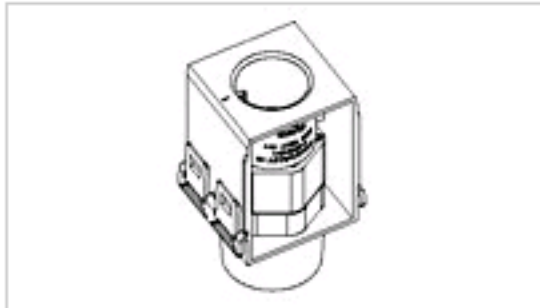


1103248-1 Product Details

[Share](#) | [Print](#) | [Email](#)


Active

[View 3D PDF](#)

HTS Connectors and Accessories

HVS-HF.08.1.Sti.C

1103248-1

TE Internal Number: 1103248-1

Product Highlights [View All](#)

- HVS-HF Series
- Insert
- Contact Configuration = Crimp Terminal
- Insert Style = Pin
- Male

- [Pricing & Availability](#)
- [Request Sample](#)
- [Add to My Part List](#)
- [Buy Product through Distributor](#)

Feedback

[Documents](#) | [Features](#) | [Compliance](#)

Please Note:
Use the Product Drawing for all design activity

Product Type Features	
Product Type	Insert
Gender	Male
Finish	Gray

Body Features	
Insert Style	Pin
Material	PC-GF20

Contact Features	
Contact Configuration	Crimp Terminal
Number of Poles	1

Industry Standards	
RoHS/ELV Compliance	RoHS compliant, ELV compliant
Lead Free Solder Processes	Not relevant for lead free process
RoHS/ELV Compliance History	Always was RoHS compliant

Packaging Features	
Packaging Method	Loose Piece
Packaging Quantity	10

Other	
Series	HVS-HF
Brand	HTS

Related Products

Not quite the product you're looking for?
[Find Similar Products](#)

[View Part in Product Feature Selector](#)

[Check for Tooling](#)

- Corporate Information**
- [About TE](#)
 - [Investors](#)
 - [News Room](#)
 - [Supplier Portal](#)
 - [Careers](#)
 - [Terms & Conditions](#)
 - [Privacy Policy](#)
 - [Global Accessibility Statement](#)

- Quick Links**
- [Distributor Inventory](#)
 - [Product Cross Reference](#)
 - [Documents & Drawings](#)
 - [Product Compliance Support Center](#)
 - [Site Map](#)

- Customer Support**
- [Email or Chat With Us](#)
 - [Find a Phone Number](#)
 - [Knowledge Base](#)
 - [Manage Your Account](#)

Keep Me Informed