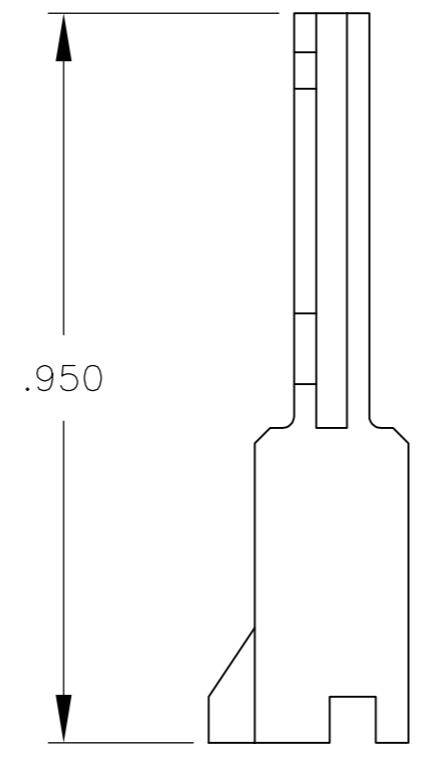
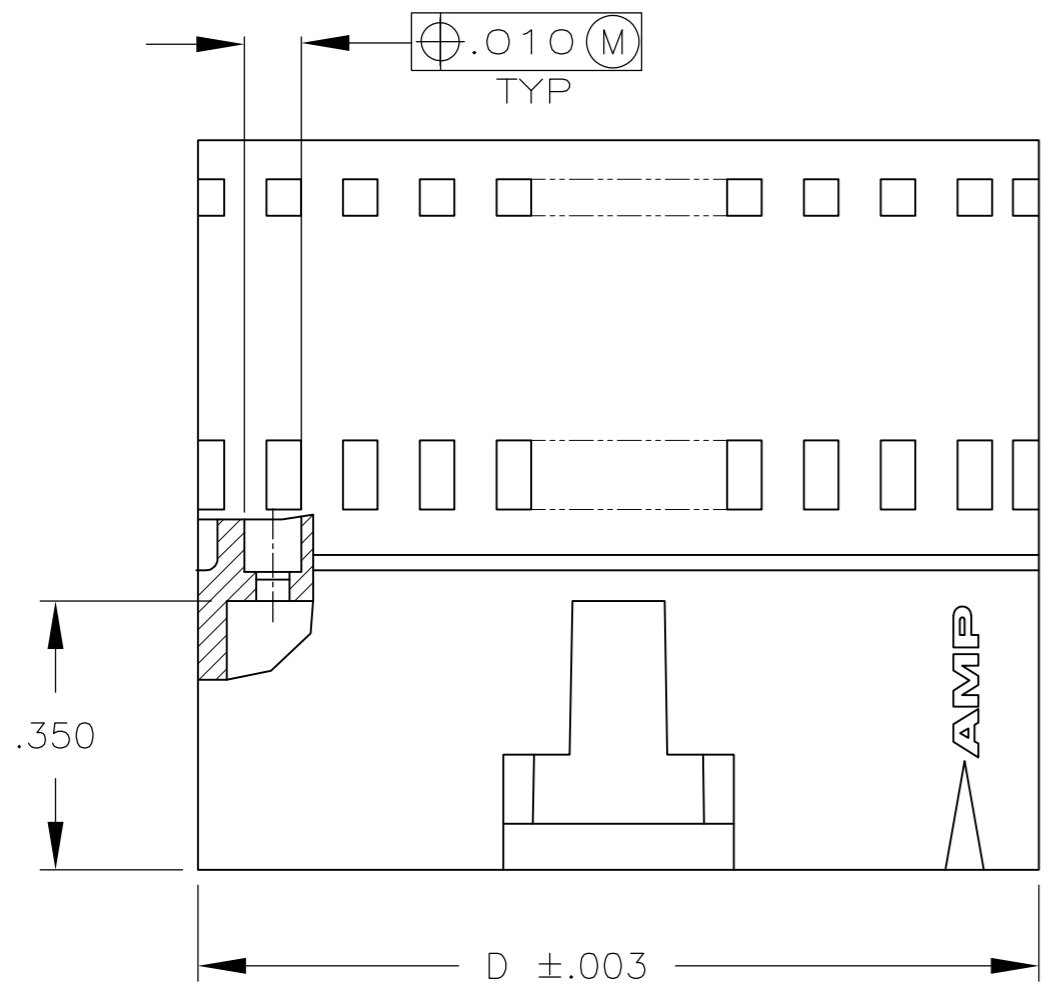
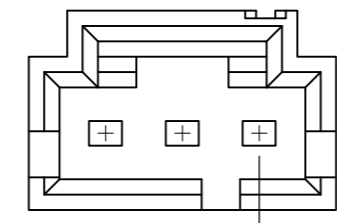
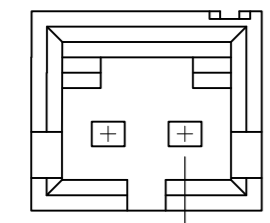
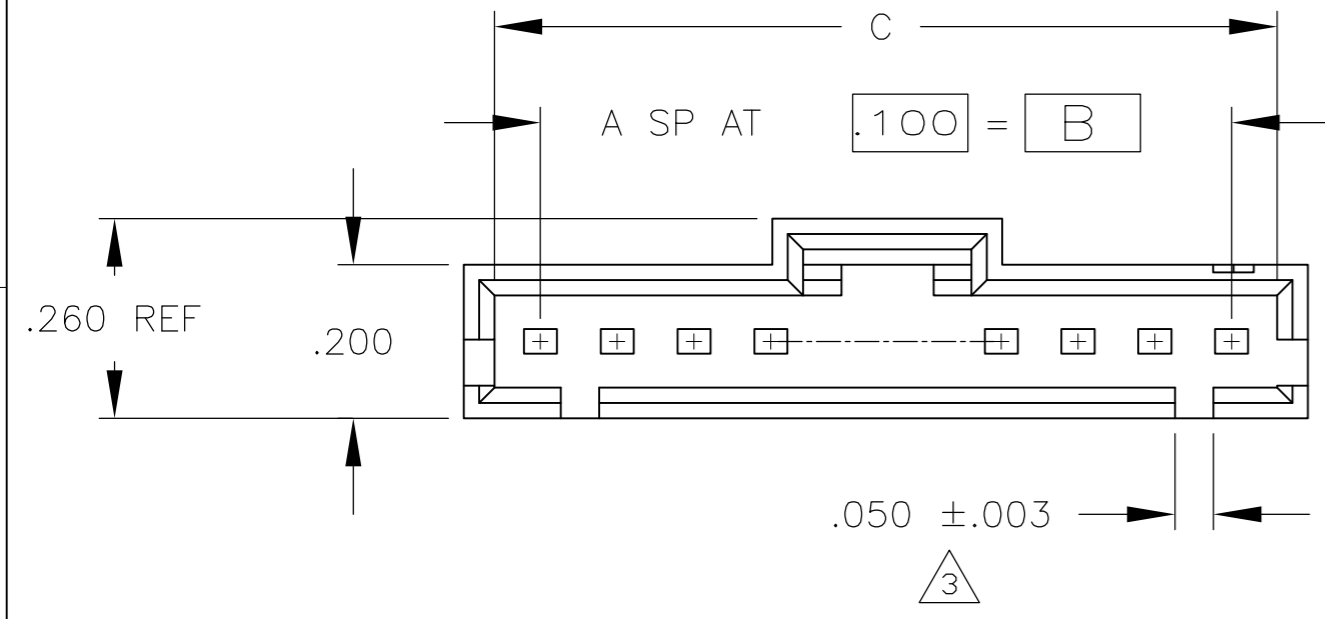


THIS DRAWING IS UNPUBLISHED. RELEASED FOR PUBLICATION
 © COPYRIGHT - By - ALL RIGHTS RESERVED.

LOC		DIST		REVISIONS			
P	LTR	DESCRIPTION		DATE	DWN	APVD	
AD	39	P2		REVISED PER ECO-11-010839	25MAY11	RK	HMR



- 1 PBT
- 2 LCP
- 3 TOLERANCE IS $+ .007 / - .003$ FOR 6 POSITION AND SMALLER SIZES.



2	2.595	2.520	2.400	24	25	2-103653-4
2	2.495	2.420	2.300	23	24	2-103653-3
2	2.395	2.320	2.200	22	23	2-103653-2
2	2.295	2.220	2.100	21	22	2-103653-1
2	2.195	2.120	2.000	20	21	2-103653-0
2	2.095	2.020	1.900	19	20	1-103653-9
2	1.995	1.920	1.800	18	19	1-103653-8
2	1.895	1.820	1.700	17	18	1-103653-7
2	1.795	1.720	1.600	16	17	1-103653-6
2	1.695	1.620	1.500	15	16	1-103653-5
2	1.595	1.520	1.400	14	15	1-103653-4
2	1.495	1.420	1.300	13	14	1-103653-3
2	1.395	1.320	1.200	12	13	1-103653-2
2	1.295	1.220	1.100	11	12	1-103653-1
2	1.195	1.120	1.000	10	11	1-103653-0
2	1.095	1.020	.900	9	10	103653-9
2	.995	.920	.800	8	9	103653-8
2	.895	.820	.700	7	8	103653-7
2	.795	.720	.600	6	7	103653-6
1	.695	.620	.500	5	6	103653-5
1	.595	.520	.400	4	5	103653-4
1	.495	.420	.300	3	4	103653-3
1	.395	.320	.200	2	3	103653-2
1	.295	.220	.100	1	2	103653-1
MATERIAL	D	C	B	A	NO OF POSN	PART NUMBER
COLOR-BLACK						

THIS DRAWING IS A CONTROLLED DOCUMENT.

DWN	R BROWN	28JUL00
CHK	K WRIGHT	28JUL00
APVD	K WRIGHT	28JUL00
PRODUCT SPEC	108-25034	
APPLICATION SPEC	114-25026	
WEIGHT	-	
CUSTOMER DRAWING		

TE Connectivity

PIN HOUSING, AMPMODU
 MTE, SINGLE ROW, .100 CL
 POLARIZED WITH LATCH

SIZE: A2 CAGE CODE: 00779 DRAWING NO: C=103653 RESTRICTED TO: -
 SCALE: 4:1 SHEET: 1 of 1 REV: P2