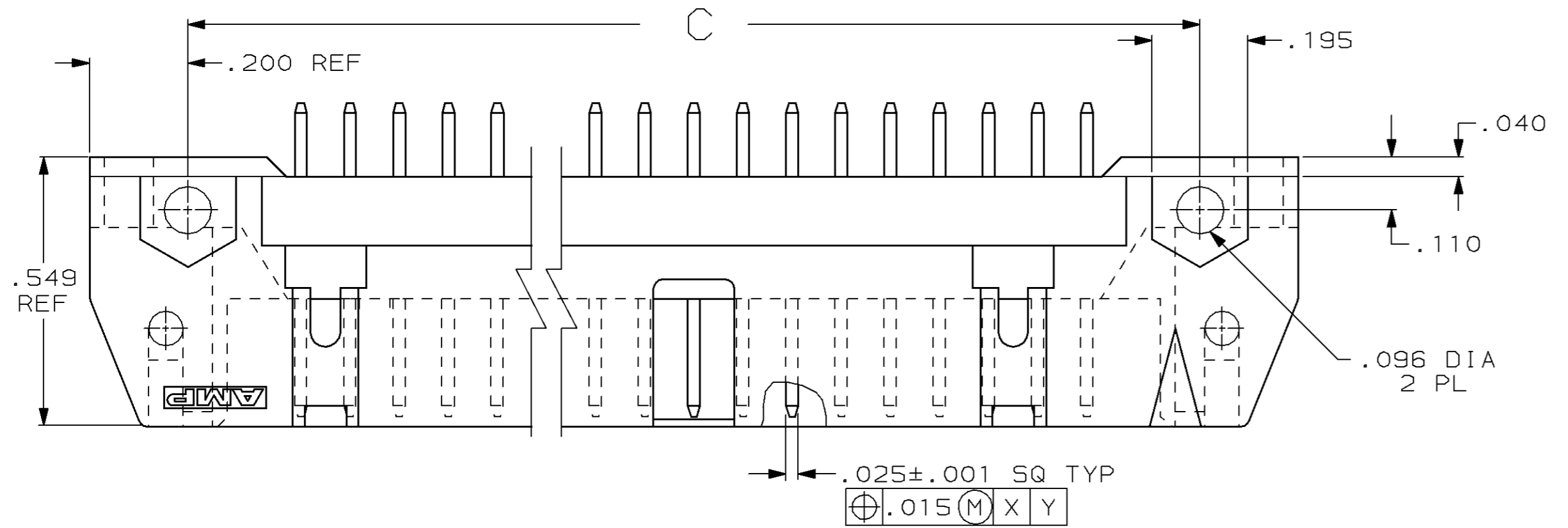
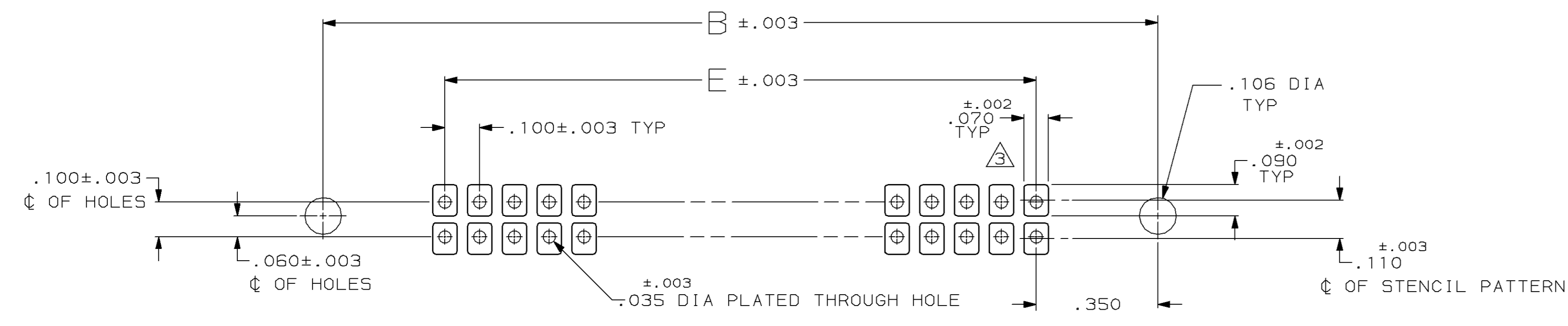
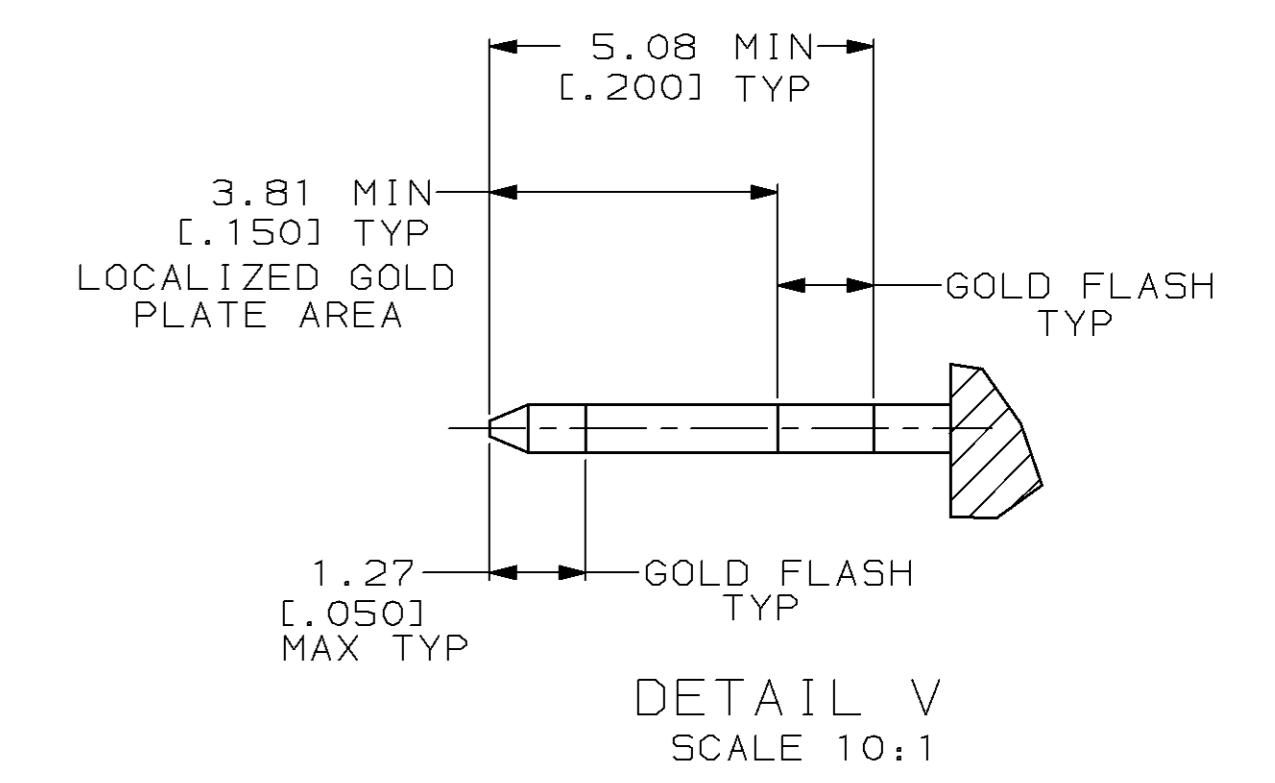
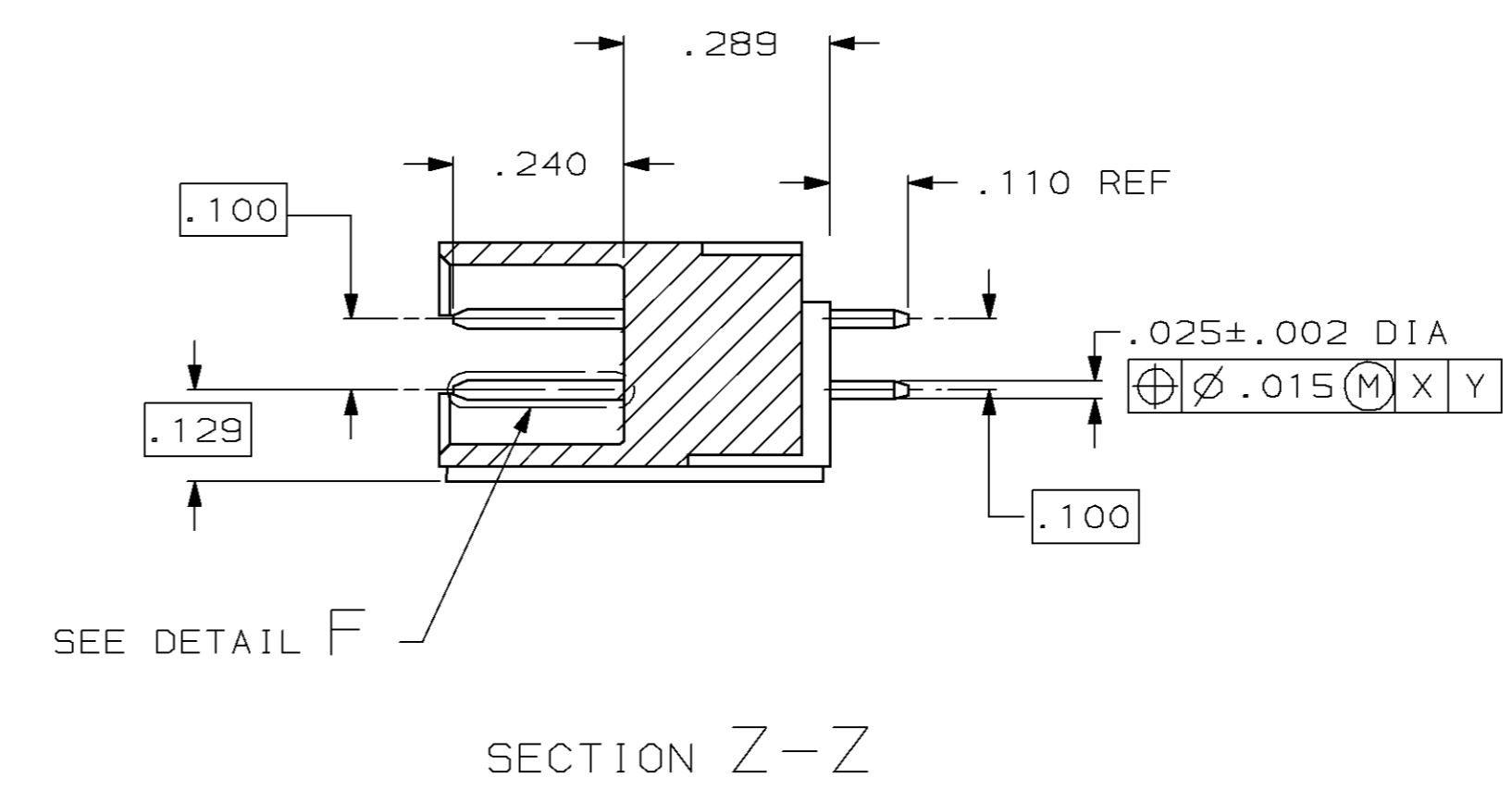
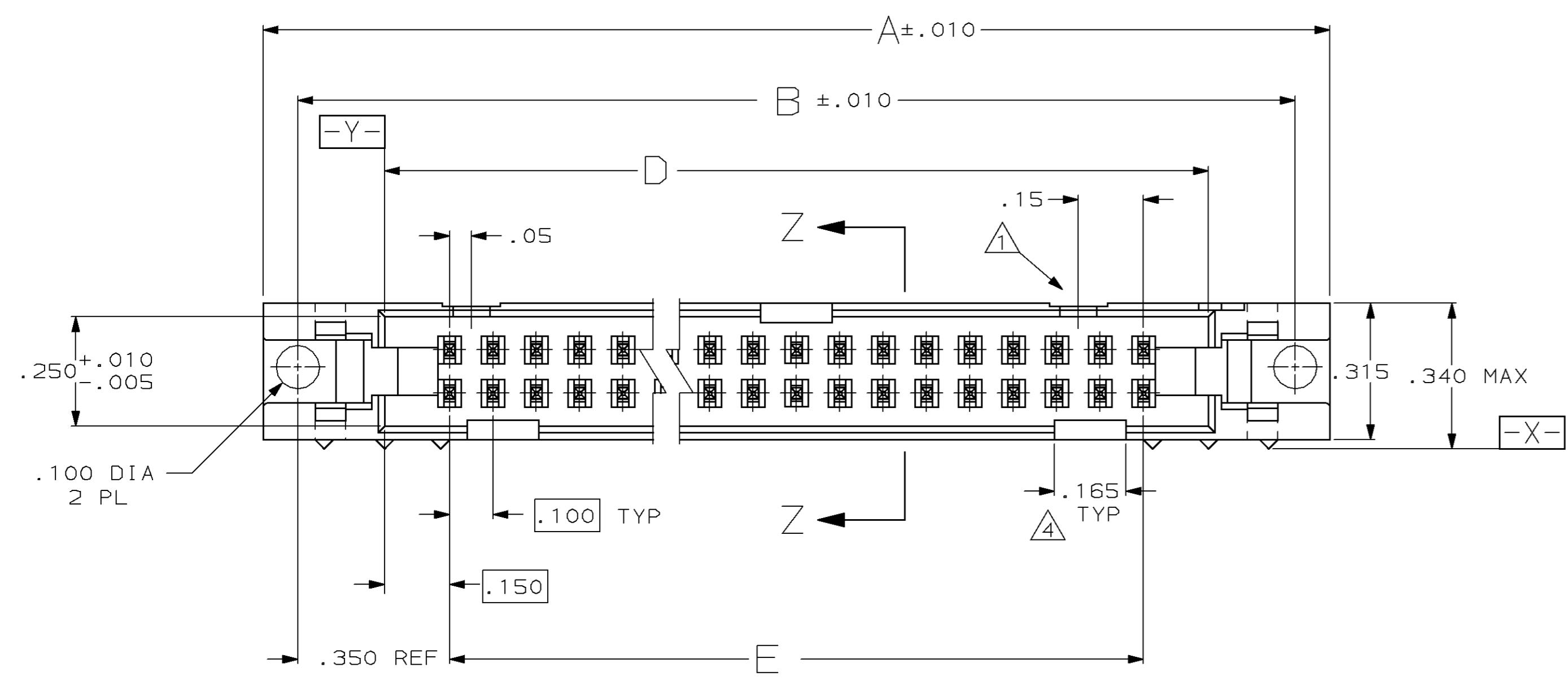


LOC		DIST		REVISIONS				
AD	51	P	F	ZONE	LTR	DESCRIPTION	DATE	APPD
				C		OBS -13 PER EC 0020-0941-93	03/15/94	RK
				D		PER EC 0020-0330-96	T.S.	9-25-96 HR



- 1 NO SNAP-IN POLARIZING FEATURE ON THIS END FOR 10 & 14 POS. HEADERS.
- 2 PLATED WITH .000030 GOLD ON MATING AREA, AND .000150 MIN MATTE TIN LEAD ON SOLDER AREA, ALL OVER .000050 NICKEL UNDERPLATE.
- 3 RECOMMENDED STENCIL THICKNESS EQUALS .010
- 4 FOR 10 POS. HEADER ONLY, ONE SLOT LOCATED AS SHOWN.
- 5 PLATED WITH GOLD FLASH OVER .000050 NICKEL.



OBSOLETE	2.100	2.400	2.560	2.80	2.96	44	1-111008-3
	3.100	3.400	3.560	3.80	3.96	64	1-111008-2
	2.900	3.200	3.360	3.60	3.76	60	1-111008-1
	2.400	2.700	2.860	3.10	3.26	50	1-111008-0
	1.900	2.200	2.360	2.60	2.76	40	111008-9
	1.600	1.900	2.060	2.30	2.46	34	111008-8
	1.400	1.700	1.860	2.10	2.26	30	111008-7
	1.200	1.500	1.660	1.90	2.06	26	111008-6
	1.100	1.400	1.560	1.80	1.96	24	111008-5
	.900	1.200	1.360	1.60	1.76	20	111008-4
	.700	1.000	1.160	1.40	1.56	16	111008-3
	.600	.900	1.060	1.30	1.46	14	111008-2
	.400	.700	.860	1.10	1.26	10	111008-1
	E	D	C	B	A	NO. OF POSN	PART NO

RECOMMENDED  
 P C BOARD MOUNTING DIMENSIONS

DO NOT SCALE PRINT. UNLESS SPECIFIED DIMENSIONS IN INCHES TOLERANCES ON: 2 PLC DEC ± 3 PLC DEC ± .005 ANGLES ± -	DR 11-7-85 J.L.GROFT CHK 12-5-85 M.ESCALANTE APPD 12-19-85 G.HAWK APPD 12-19-85 G.HAWK PRODUCT SPEC - APPLICATION SPEC - POST 1	<b>AMP</b> AMP Incorporated Harrisburg, PA 17105-3608 NAME AMP-LATCH™ UNIVERSAL HEADER, .025 SQ POST, .100 X .100 ⌀, STRAIGHT, FOR VAPOR-PHASE APPLICATIONS SIZE D 00779 DRAWING NO C=111008 SCALE 4:1 SHEET 1 OF 1	
THIS DRAWING IS A CONTROLLED DOCUMENT FOR AMP INCORPORATED. IT IS SUBJECT TO CHANGE AND THE CONTROLLING ENGINEERING ORGANIZATION SHOULD BE CONTACTED FOR THE LATEST REVISION.	POST 1	CUSTOMER DRAWING	