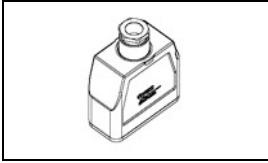


1-1102118-7 Product Details

[Share](#) [Print](#) [Email](#)



1-1102118-7

TE Internal Number: 1-1102118-7

Active

HTS Connectors and Accessories

Always EU RoHS/ELV Compliant (Statement of Compliance)

Product Highlights:

- HA.10 Series
- Accessory
- Accessory Type = Hood
- Product Size = 2
- Locking Device Type = None

[View all Features](#)

Quick Links

- ▶ [Pricing & Availability](#)
- ▶ [Search for Tooling](#)
- ▶ [Product Feature Selector](#)
- ▶ [Contact Us About This Product](#)

[Add to My Part List](#) [Request Sample](#) [Find Similar Products](#) [Buy Product](#)

Documentation & Additional Information

Product Drawings:

- [HOOD HA.10.STO.1.16 \(PDF, English\)](#)

Catalog Pages/Data Sheets:

- None Available

Product Specifications:

- None Available

Application Specifications:

- None Available

Instruction Sheets:

- None Available

CAD Files:

- None Available

Additional Information:

- [Product Line Information](#)

Related Products:

- [Tooling](#)

[List all Documents](#)

Product Features (Please use the Product Drawing for all design activity)

Product Type Features:

- Product Type = Accessory
- Accessory Type = Hood
- Product Size = 2
- [Thread Size](#) = PG16
- Finish = Dark Gray

Body Features:

- Entry Style = Top
- Dimensions (L x H x W) (mm [in]) = 63.0 x 75.9 x 29.0 [2.48 x 2.99 x 1.14]
- Material = Die Cast Aluminum

Contact Features:

- Corrosion Protected = No

Configuration Features:

- Locking Device Type = None

Industry Standards:

- [RoHS/ELV Compliance](#) = RoHS compliant, ELV compliant
- [Lead Free Solder Processes](#) = Not relevant for lead free process
- RoHS/ELV Compliance History = Always was RoHS compliant

Packaging Features:

- Packaging Method = Loose Piece
- Packaging Quantity = 5

Other:

- Series = HA.10
- Brand = HTS
- Comment = Includes brass cable fitting.

Corporate Information

- [About TE](#)
- [Investors](#)
- [News Room](#)
- [Supplier Portal](#)
- [Careers](#)
- [Terms & Conditions](#)
- [Privacy Policy](#)
- [AODA Accessibility Policy](#)
- [AODA Multi-Year Accessibility Plan](#)

Quick Links

- [Distributor Inventory](#)
- [Product Cross Reference](#)
- [Documents & Drawings](#)
- [Product Compliance Support Center](#)
- [Site Map](#)

Customer Support

- [Email or Chat With Us](#)
- [Find a Phone Number](#)
- [Knowledge Base](#)
- [Manage Your Account](#)

Keep Me Informed

4

3

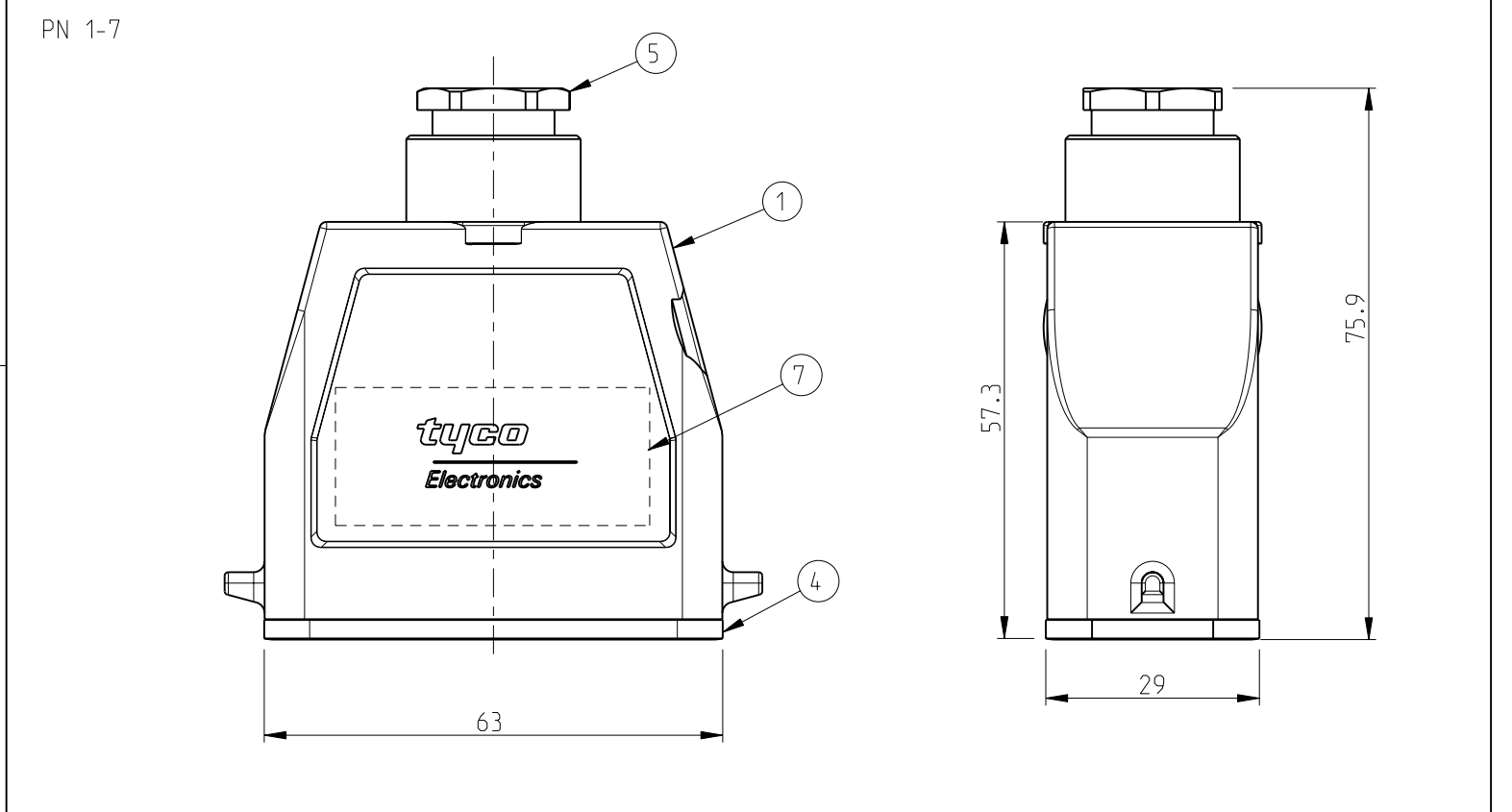
2

1

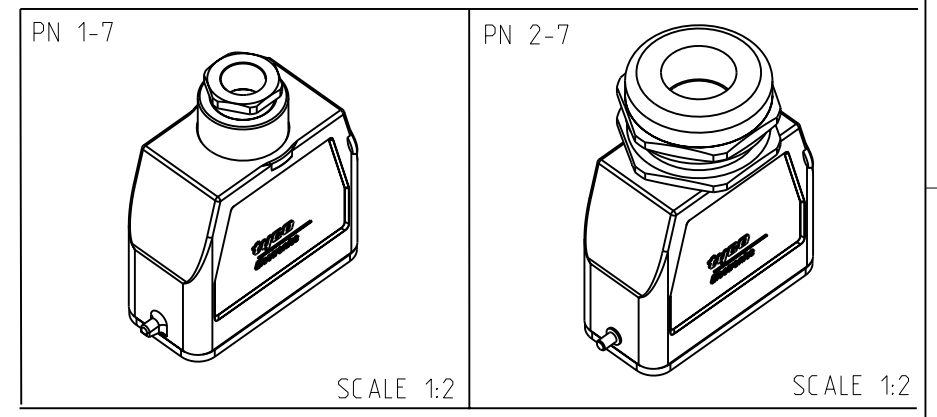
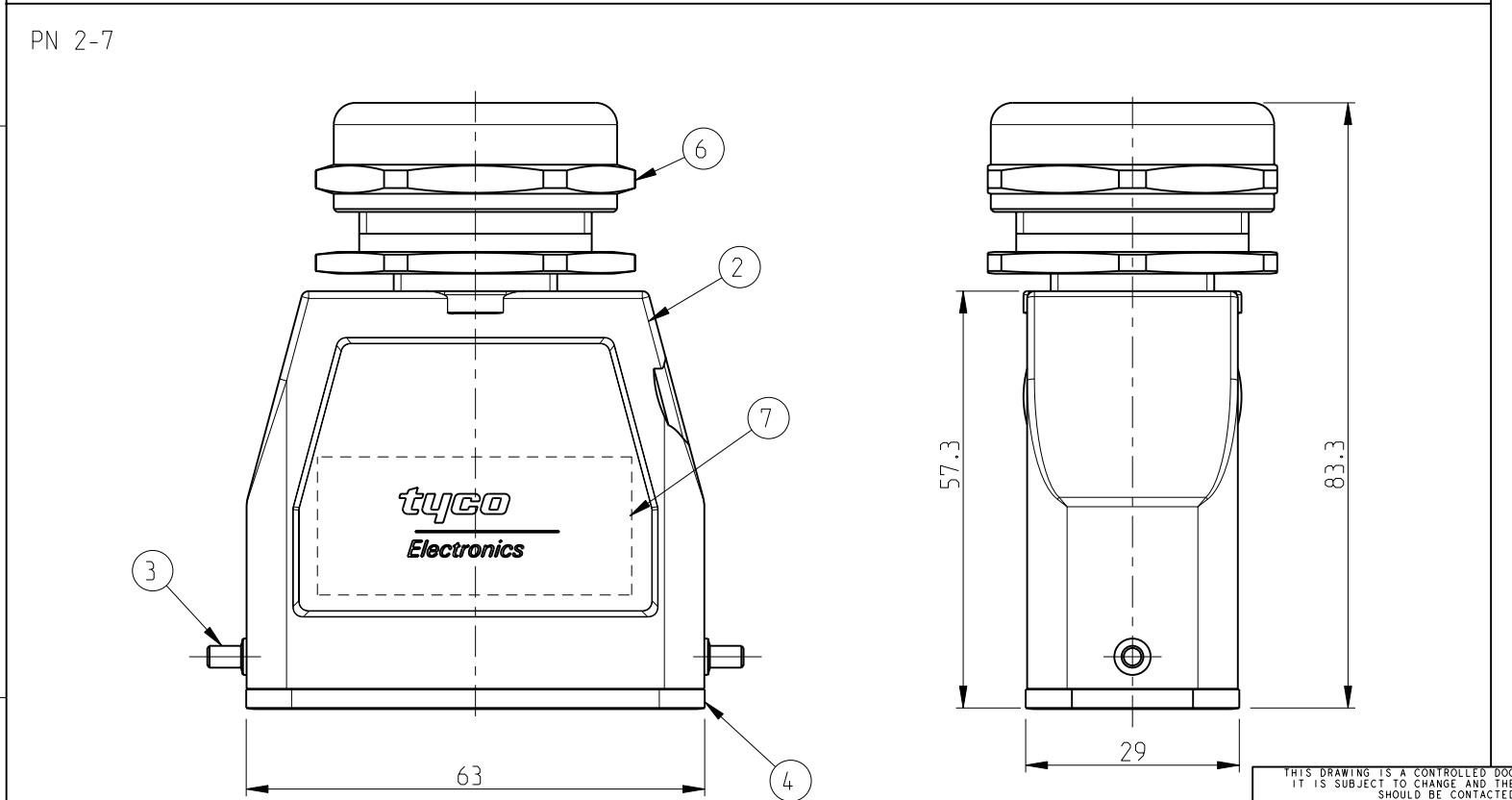
THIS DRAWING IS UNPUBLISHED. RELEASED FOR PUBLICATION .2000

© COPYRIGHT 2000 BY TYCO ELECTRONICS CORPORATION. ALL RIGHTS RESERVED.

LOC	DIST	REVISIONS				
P	LTR	DESCRIPTION	DATE	DWN	APVD	
A1	-	B4	ECR-10-016845	12AUG2010	GW	BR



- NOTES
- 1 PACKAGING
PACKAGING QUANTITY:5 PIECES PER BOX
 - 2 MATERIAL:HOUSING ALUMINIUM DIECASTING ALLOY
 - 3 SURFACE:ALUMINIUM OXIDE+VARNISH BLACK
VARNISH-GREY
 - 4 VARNISH ON THE INSIDE NOT NECESSARY
 - 5 OBSOLETE PARTS: OBSOLETE CIS STREAMLINING PER
D.RENAUD/D.SINISI



OBSOLETE

2	2	INSULATING TAPE	COROPLAST TYP 303	-	GREY	7	PVC-SOFT
1	-	CABLE FITTING	BRASS	NICKEL PLATED	BLUE	6	PG16
-	1	CABLE FITTING ROUND	BRASS	NICKEL PLATED	BLUE	5	PG16
1	1	PROFILE SEAL	NEOPRENE	-	BLACK	4	
2	-	CLIP BOLT	STAINLES STEEL	BLANK		3	
1	-	HA-K,HOOD	ALUMINIUM	ALUMINIUM OXIDE	BLACK	2	
-	1	HA,HOOD	ALUMINIUM	-	GREY	1	
2-7	1-7	DESCRIPTION	MATERIAL	SURFACE	COLOR	ITEM NO	REMARKS

HA.10.STO.1.16
HA-K.10.STO.1.16

THIS DRAWING IS A CONTROLLED DOCUMENT FOR TYCO ELECTRONICS CORPORATION
IT IS SUBJECT TO CHANGE AND THE CONTROLLING ENGINEERING ORGANIZATION
SHOULD BE CONTACTED FOR THE LATEST REVISION.

DWN	S.KUMAR	2/24/2006	<p>Tyco Electronics Corporation, AMP.GmbH 53757 Sankt Augustin, Germany</p>	
CHK	R.SRINIVAS	2/24/2006		
APVD	T.SCHNURPFEL	2/24/2006		
PRODUCT SPEC	108-74009			
APPLICATION SPEC	114-74001		NAME	HOOD HA.10.STO.1.16
WEIGHT	-		SIZE	A3
CUSTOMER DRAWING			CAGE CODE	00779
			DRAWING NO	1102118
			RESTRICTED TO	
			SCALE	1:1
			SHEET	1 OF 1
			REV	B4

DIMENSIONS:	TOLERANCES UNLESS OTHERWISE SPECIFIED:
mm	0 PLC ±
	1 PLC ±
	2 PLC ±
	3 PLC ±
	4 PLC ±
	ANGLES ±
MATERIAL	FINISH