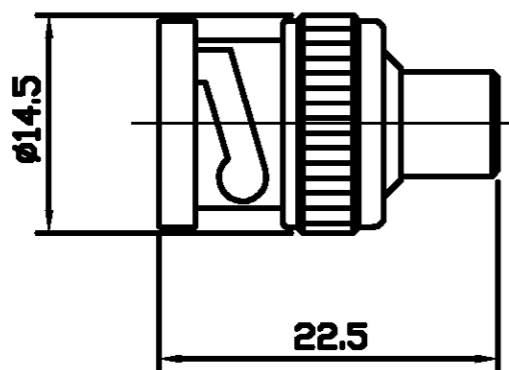


THIS DRAWING IS UNPUBLISHED.

RELEASED FOR PUBLICATION 7-9-00

© COPYRIGHT 2000 BY TYCO ELECTRONICS CORPORATION. ALL RIGHTS RESERVED.

LOC	DIST	REVISIONS			
P	LTR	DESCRIPTION	DATE	DWN	APVD
E	B	B	EB00 -0304-01	26-9-01	RG FWK



ALL DIMENSIONS ARE NOMINAL. FOR REFERENCE ONLY.

DIE SET PART NUMBER	N/A
HANDTOOL PART NUMBER	N/A
FOR USE ON CABLES	N/A
CONNECTOR PLATING DETAIL	SILVER
CONTACT PLATING DETAIL	SILVER
DIELECTRIC MATERIAL	TEFLON
GASKET MATERIAL	WHITE SILICONE RUBBER

THIS DRAWING IS A CONTROLLED DOCUMENT.

DIMENSIONS:	TOLERANCES UNLESS OTHERWISE SPECIFIED:
MM	
0 PLC	±
1 PLC	±
2 PLC	±
3 PLC	± -
4 PLC	± -
ANGLES	±
MATERIAL	FINISH
-	-

BAG	SINGLE ITEM	1-1337470-0
PACK TYPE	DESCRIPTION	PART NUMBER

DWN	07-SEP-00	 Tyco Electronics Corporation Stanmore, Middlesex, HA7 4RS	
CHK	07-SEP-00		
APVD	07-SEP-00		
PRODUCT SPEC	108-3435		
APPLICATION SPEC		NAME	BNC PLUG TERMINATION 75 Ohm
WEIGHT	-	SIZE	A3
CUSTOMER DRAWING		CAGE CODE	00779
		DRAWING NO	C-1337470
		RESTRICTED TO	-
		SCALE	NTS
		SHEET	1 OF 1
		REV	B