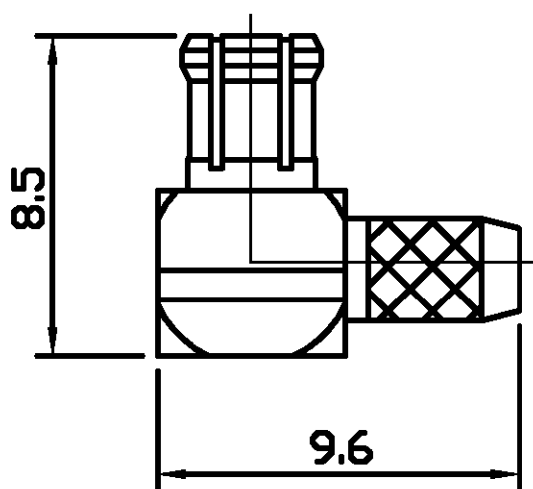


THIS DRAWING IS UNPUBLISHED. RELEASED FOR PUBLICATION 7-9-00

© COPYRIGHT 2000 BY TYCO ELECTRONICS CORPORATION. ALL RIGHTS RESERVED.

LOC	DIST	REVISIONS			
P	LTR	DESCRIPTION	DATE	DWN	APVD
E	B	B	1-11-01	RG	FWK
		EB00-0304-01			



⚠ SUPPLIED SEMI-ASSEMBLED (PACK CONTAINS LOOSE PIECES)
 VIEW SHOWS ASSEMBLED CONNECTOR (CABLE OMITTED)
 FOR CABLE TO CONNECTOR ASSEMBLY GUIDANCE
 REFER TO TYCO INSTRUCTION SHEET I.S 411 - 3251

ALL DIMENSIONS ARE NOMINAL. FOR REFERENCE ONLY.

DIE SET PART NUMBER	9-1478248-0
HANDTOOL PART NUMBER	9-1478240-0
FOR USE ON CABLES	RG174A/U, 188A/U & 316/U
CONNECTOR PLATING DETAIL	GOLD
CONTACT PLATING DETAIL	GOLD
DIELECTRIC MATERIAL	TEFLON
GASKET MATERIAL	N/A

THIS DRAWING IS A CONTROLLED DOCUMENT.

DIMENSIONS:	TOLERANCES UNLESS OTHERWISE SPECIFIED:
MM	
	0 PLC ±
	1 PLC ±
	2 PLC ±
	3 PLC ± -
	4 PLC ± -
	ANGLES ±
MATERIAL	FINISH
-	-

DWN	R.SMITH	07-SEP-00
CHK	R.GOODALL	07-SEP-00
APVD	R.GOODALL	07-SEP-00
PRODUCT SPEC	108-3435	
APPLICATION SPEC		
WEIGHT	-	
CUSTOMER DRAWING		

BAG	SINGLE ITEM	1-1337585-0
PACK TYPE	DESCRIPTION	PART NUMBER
Tyco Electronics Corporation Stanmore, Middlesex, HA7 4RS		
NAME		
MCX ELBOW PLUG CRIMP 50 Ohm		
SIZE	CAGE CODE	DRAWING NO
A3	00779	C-1337585
RESTRICTED TO		-
SCALE	SHEET	REV
NTS	1 OF 1	B