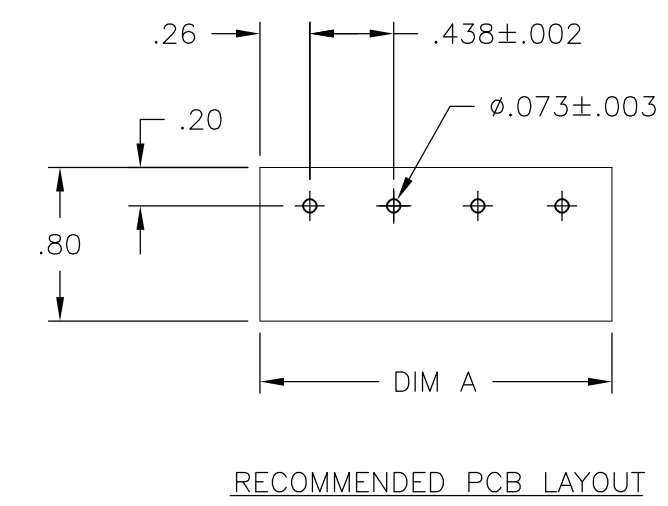
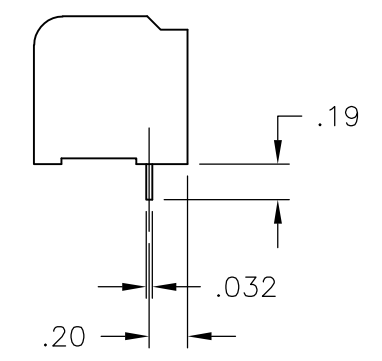
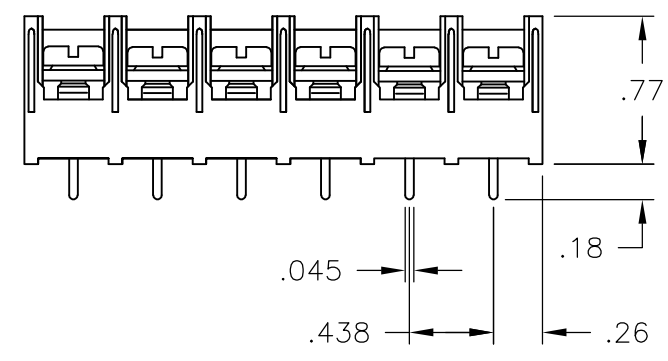
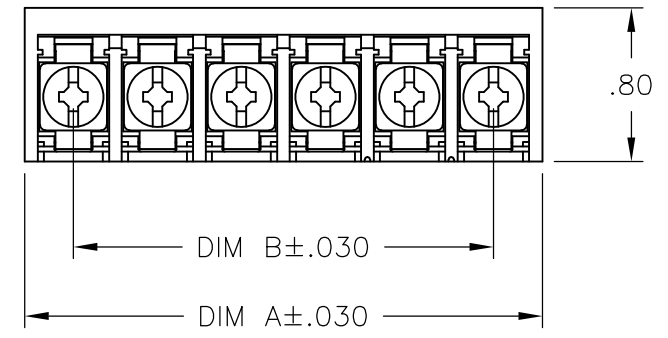


THIS DRAWING IS UNPUBLISHED. RELEASED FOR PUBLICATION  
 © COPYRIGHT BY TYCO ELECTRONICS CORPORATION. ALL RIGHTS RESERVED.

LOC	DIST	REVISIONS					
FT	0	P	LTR	DESCRIPTION	DATE	DWN	APVD
			H	REVISED PER ECO-07-011598	5/29/07	SS	SRY

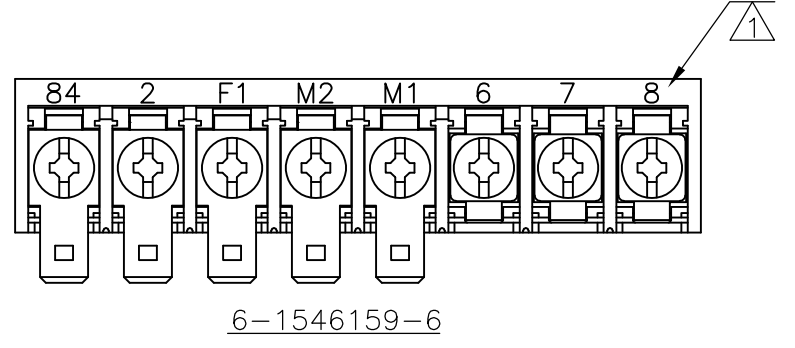
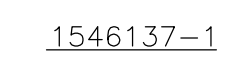
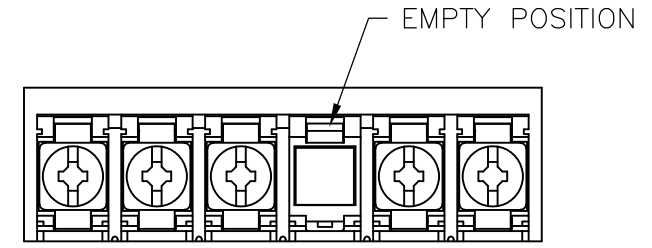
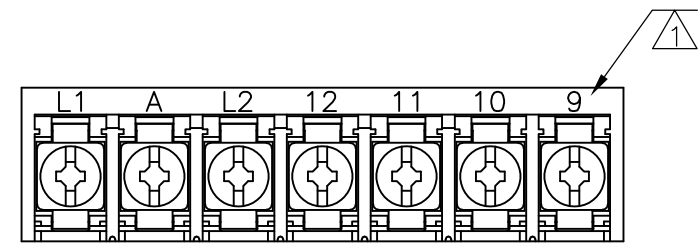
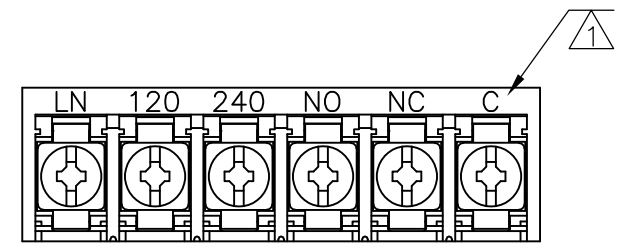
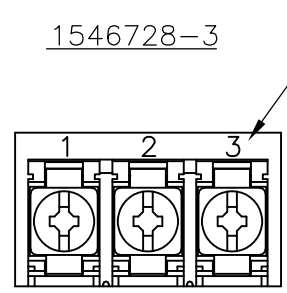
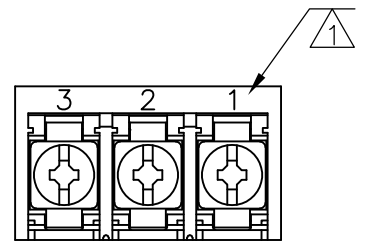


MATERIALS:  
 HOUSING: NYLON, UL94V-0, BLACK.  
 TERMINAL: BRIGHT TIN PLATED COPPER ALLOY.  
 SCREWS: 8-32 ZINC PLATED STEEL.

ELECTRICAL:  
 CURRENT RATING: 30A  
 VOLTAGE RATING: 600V  
 WIRE RANGE: 10-18 AWG (UL)  
 10-22 AWG (CSA)

MECHANICAL:  
 RECOMMENDED TORQUE: 20 IN-LB  
 OPERATING TEMP.: -40°C TO +120°C.

⚠ MARK WITH WHITE INK.



THIS DRAWING IS A CONTROLLED DOCUMENT.		DWN	S SCHLEGEL	5/15/03	Tyco Electronics Corporation Harrisburg, PA 17105-3608		
DIMENSIONS: INCHES		CHK	S YODER	5/15/03			
TOLERANCES UNLESS OTHERWISE SPECIFIED:		APVD	S YODER	5/15/03	8PCV-XX-006 ASSEMBLY		
0 PLC ± - 1 PLC ± - 2 PLC ± .02 3 PLC ± .010 4 PLC ± - ANGLES ± -		PRODUCT SPEC		RESTRICTED TO			
MATERIAL		APPLICATION SPEC		SIZE			
FINISH		WEIGHT		CAGE CODE		DRAWING NO	
		-		A3 00779		C-6-1437657-3	
CUSTOMER DRAWING				SCALE	NTS	SHEET	1 OF 2
				REV		H	

THIS DRAWING IS UNPUBLISHED. RELEASED FOR PUBLICATION  
 © COPYRIGHT BY TYCO ELECTRONICS CORPORATION. ALL RIGHTS RESERVED.

LOC	DIST	REVISIONS				
P	LTR	DESCRIPTION	DATE	DWN	APVD	
FT	0	—	—	—	—	
		SEE SHEET 1				

COMMENTS	DIM B	DIM A	NO OF POS	CATALOG NUMBER	TYCO PART NO
—	8.312	8.822	20	8PCV-20-006	8-1546159-2
—	7.875	8.385	19	8PCV-19-006	1546728-2
—	7.438	7.948	18	8PCV-18-006	7-1437658-2
—	7.000	7.510	17	8PCV-17-006	8-1546159-1
—	6.563	7.073	16	8PCV-16-006	6-1437658-6
—	6.125	6.635	15	8PCV-15-006	8-1437659-0
—	5.688	6.198	14	8PCV-14-006	6-1437658-0
—	5.250	5.760	13	8PCV-13-006	5-1437658-5
—	4.813	5.323	12	8PCV-12-006	4-1437658-5
—	4.375	4.885	11	8PCV-11-006	4-1437658-0
—	3.938	4.448	10	8PCV-10-006	3-1437658-3
—	3.500	4.010	9	8PCV-09-006	7-1546159-1
SEE FIGURE	3.063	3.573	8	8PCV-08-502	6-1546159-9
—	3.063	3.573	8	8PCV-08-006	2-1437658-1
SEE FIGURE	2.625	3.135	7	8PCV-07-598	6-1546159-7
—	2.625	3.135	7	8PCV-07-623	1-1437658-6
—	2.625	3.135	7	8PCV-07-006	1-1437658-1
SEE FIGURE	2.187	2.697	6	8PCV-06-653	1546728-1
SEE FIGURE	2.187	2.697	6	8PCV-06-538	6-1546159-4
—	2.187	2.697	6	8PCV-06-006	9-1437657-8
—	1.750	2.260	5	8PCV-05-637	9-1437657-4
—	1.750	2.260	5	8PCV-05-006	8-1437657-8
—	1.312	1.822	4	8PCV-04-636	8-1437657-3
—	1.312	1.822	4	8PCV-04-006	8-1437657-0
SEE FIGURE	.875	1.385	3	8PCV-03-662	1546728-3
SEE FIGURE	.875	1.385	3	8PCV-03-657	1546137-1
—	.875	1.385	3	8PCV-03-006	6-1437657-9
—	.437	.947	2	8PCV-02-006	5-1437657-7
—	.437	.947	2	8PCV-02-634	6-1437657-3

THIS DRAWING IS A CONTROLLED DOCUMENT.		DWN S SCHLEGEL 5/15/03	Tyco Electronics Corporation Harrisburg, PA 17105-3608													
DIMENSIONS: INCHES		CHK S YODER 5/15/03	NAME 8PCV-XX-006 ASSEMBLY													
TOLERANCES UNLESS OTHERWISE SPECIFIED:		APVD S YODER 5/15/03	PRODUCT SPEC —													
<table border="0"> <tr><td>0 PLC</td><td>± -</td></tr> <tr><td>1 PLC</td><td>± -</td></tr> <tr><td>2 PLC</td><td>± .02</td></tr> <tr><td>3 PLC</td><td>± .010</td></tr> <tr><td>4 PLC</td><td>± -</td></tr> <tr><td>ANGLES</td><td>± -</td></tr> </table>		0 PLC	± -	1 PLC	± -	2 PLC	± .02	3 PLC	± .010	4 PLC	± -	ANGLES	± -	APPLICATION SPEC —		RESTRICTED TO —
0 PLC	± -															
1 PLC	± -															
2 PLC	± .02															
3 PLC	± .010															
4 PLC	± -															
ANGLES	± -															
MATERIAL —	FINISH —	WEIGHT —	SIZE A3	CAGE CODE 00779	DRAWING NO G-6-1437657-3											
CUSTOMER DRAWING			SCALE NTS	SHEET 2 OF 2	REV H											