



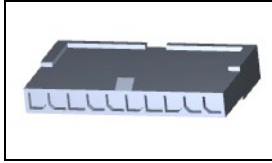
Have a Question? Chat with a Product Information Specialist

What can we help you find?

Products Industries Resources About TE My Account Innovation Support Center

1-1445049-0 Product Details

Share Print Email



1-1445049-0

TE Internal Number: 1-1445049-0

Active

View 3D PDF

3mm Centerline, 250V, 5 A max.

Always EU RoHS/ELV Compliant (Statement of Compliance)

Product Highlights:

- Wire-to-Wire
Applies To Wire/Cable
Connector
Housing
Connector Style = Plug

View all Features

Quick Links

- Pricing & Availability
Search for Tooling
View Mating Products (1)
Product Feature Selector
Contact Us About This Product

Add to My Part List Request Sample Find Similar Products Buy Product

Documentation & Additional Information

Product Drawings:

- PLUG HOUSING, 2 TO 12 POSITION, SINGLE ROW,FREE HANG... (PDF, English)

Catalog Pages/Data Sheets:

- 1773458-4_MICRO_MATE_N_LOK_CONNECTOR_SYSTEM_QRG (PDF, English)
SOFT_SHELL_PIN_AND_SOCKET_CONNECTORS_CATALOG (PDF, English)

Product Specifications:

- None Available

Application Specifications:

- Micro MATE-N-LOK Connectors (PDF, English)

Instruction Sheets:

- None Available

CAD Files: (CAD Format & Compression Information)

- 2D Drawing (DXF, Version B)
3D Model (IGES, Version B)
3D Model (STEP, Version B)

List all Documents

Additional Information:

- Product Line Information

Related Products:

- Tooling
Mating Products (1)

Product Features (Please use the Product Drawing for all design activity)

Product Type Features:

- Product Type = Connector
Connector Type = Housing
UL File Number = E28476
CSA File Number = LR 7189

Mechanical Attachment:

- Mating Retention Type = Locking Tab

Electrical Characteristics:

- Operating Voltage Reference = AC/DC
Operating Voltage (VAC) = 250
Operating Voltage (VDC) = 250

Body Features:

- Mating Retention = With

Contact Features:

- Contact Type = Pin
Contact Layout = In-Line

Housing Features:

- Connector Style = Plug
Housing Color = Black
Housing Material = Nylon 66/6
Centerline (mm [in]) = 3.00 [0.118]
Mating Alignment = With

Configuration Features:

- Number of Positions = 10
Number of Rows = 1
Strain Relief = Without

Industry Standards:

- RoHS/ELV Compliance = RoHS compliant, ELV compliant
Lead Free Solder Processes = Not relevant for lead free process
RoHS/ELV Compliance History = Always was RoHS compliant
VDE Tested = Yes
Agency/Standard = UL, CSA
UL Rating = Recognized
CSA Rating = Certified

Environmental:

- Operating Temperature (°C [°F]) = -40 - +105 [-40 - +221]

Conditions for Usage:

- Applies To = Wire/Cable

Operation/Application:

- Application Use = Wire-to-Wire

Packaging Features:

- Packaging Method = Bag
Packaging Quantity = 1,000

- Mating Alignment Type = Polarization
- UL Flammability Rating = UL 94V-0

Other:

- Brand = AMP
- Comment = Free Hanging

Corporate Information

- [About TE](#)
- [Investors](#)
- [News Room](#)
- [Supplier Portal](#)
- [Careers](#)
- [Terms & Conditions](#)
- [Privacy Policy](#)

Quick Links

- [Distributor Inventory](#)
- [Product Cross Reference](#)
- [Documents & Drawings](#)
- [Product Compliance Support Center](#)
- [Site Map](#)

Customer Support

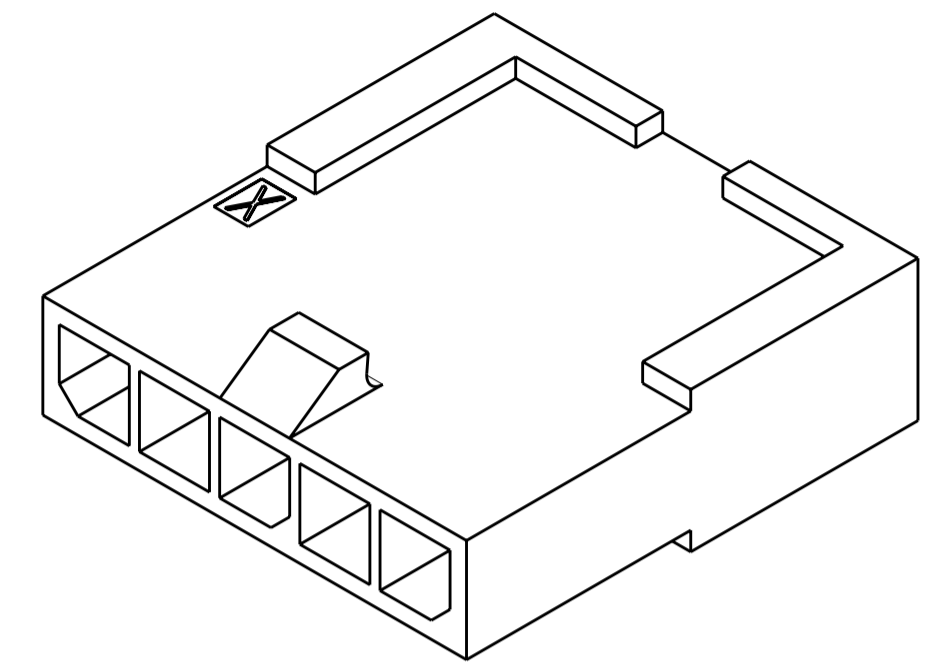
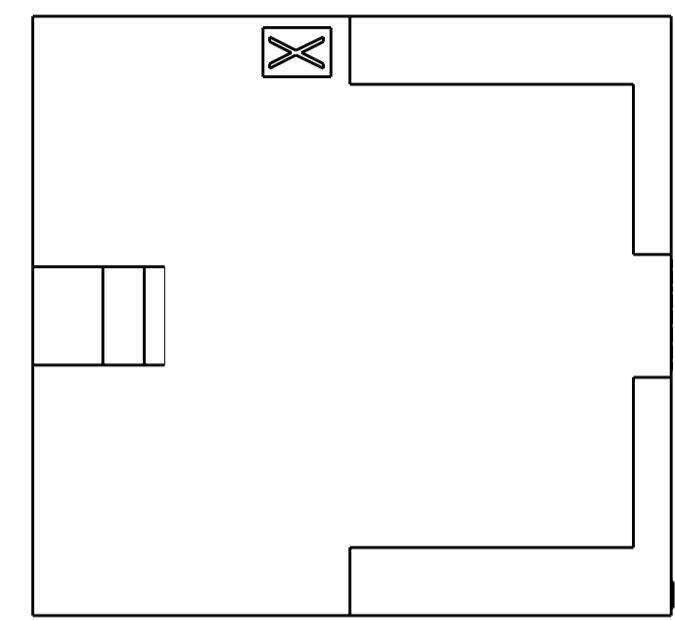
- [Email or Chat With Us](#)
- [Find a Phone Number](#)
- [Knowledge Base](#)
- [Manage Your Account](#)

Keep Me Informed

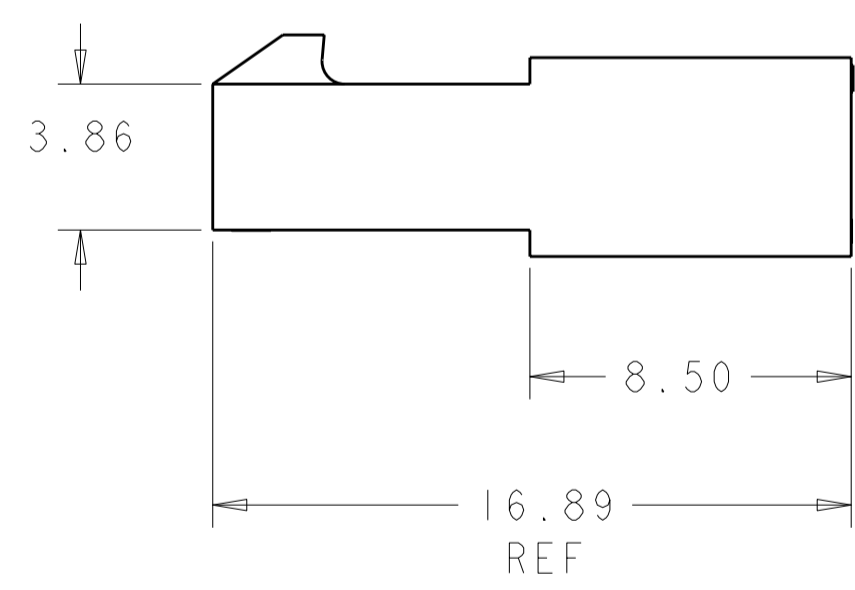
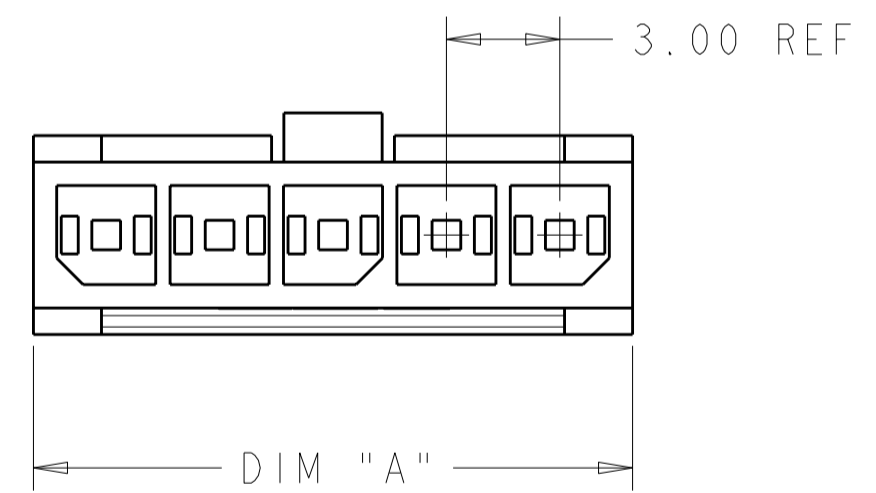


THIS DRAWING IS UNPUBLISHED. RELEASED FOR PUBLICATION 20
 © COPYRIGHT 20 ALL RIGHTS RESERVED.

| LOC | DIST | REVISIONS | | | |
|-----|------|---------------------------|-----------|-----|------|
| P | LTR | DESCRIPTION | DATE | DWN | APVD |
| CM | 00 | | | | |
| | P | REVISED PER ECO-11-005294 | 06APR2011 | RK | HMR |
| | | | | | |
| | | | | | |



SCALE 5:1



| | | |
|-------|-------------|-------------|
| 36.85 | 12 | 1-1445049-2 |
| 33.85 | 11 | 1-1445049-1 |
| 30.85 | 10 | 1-1445049-0 |
| 27.85 | 9 | 1445049-9 |
| 24.85 | 8 | 1445049-8 |
| 21.85 | 7 | 1445049-7 |
| 18.85 | 6 | 1445049-6 |
| 15.85 | 5 | 1445049-5 |
| 12.85 | 4 | 1445049-4 |
| 9.85 | 3 | 1445049-3 |
| 6.85 | 2 | 1445049-2 |
| DIM A | NO. OF POS. | PART NUMBER |

METRIC

THIS DRAWING IS A CONTROLLED DOCUMENT.

| | | |
|------------------|------------|-----------|
| DWN | W. J. RUDY | 29AUG2000 |
| CHK | W. DAVIS | 29AUG2000 |
| APVD | W. DAVIS | 29AUG2000 |
| PRODUCT SPEC | | |
| APPLICATION SPEC | | |
| WEIGHT | | |
| CUSTOMER DRAWING | | |

DIMENSIONS: mm
 TOLERANCES UNLESS OTHERWISE SPECIFIED:
 0 PLC ±
 1 PLC ±
 2 PLC ±0.13
 3 PLC ±
 4 PLC ±
 ANGLES ±
 FINISH

MATERIAL: NYLON, UL94V-0 BLACK

STE TE Connectivity
 NAME: PLUG HOUSING, 2 TO 12 POSITION, SINGLE ROW, FREE HANGING, MICRO MATE-N-LOK™
 SIZE: A200779 CAGE CODE: 1445049 DRAWING NO: 1445049
 RESTRICTED TO: -
 SCALE: 5:1 SHEET 1 OF 1 REV P