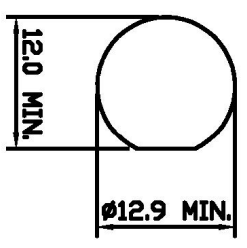
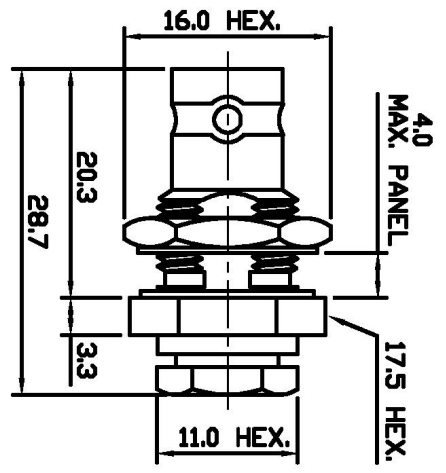


LOC	DIST	REV	DESCRIPTION	DATE	DMN	APVD
E	B	P	RELEASE FOR PRODUCTION	5-9-01	RG	FWK



Mounting Hole

▲ SUPPLIED SEMI-ASSEMBLED (PACK CONTAINS LOOSE PIECES)
 VIEW SHOWS ASSEMBLED CONNECTOR (CABLE OMITTED)
 FOR CABLE TO CONNECTOR ASSEMBLY GUIDANCE
 REFER TO TYCO INSTRUCTION SHEET IS 411 - 3252

ALL DIMENSIONS ARE NOMINAL. FOR REFERENCE ONLY.

DIE SET PART NUMBER	N/A
HANDTOOL PART NUMBER	N/A
FOR USE ON CABLES	RG58C/U, 141A/U, URM43, 76
CONNECTOR PLATING DETAIL	SILVER
CONTACT PLATING DETAIL	SILVER
DIELECTRIC MATERIAL	PTFE
GASKET MATERIAL	WHITE SILICONE RUBBER

THIS DRAWING IS A CONTROLLED DOCUMENT.	
DIMENSIONS: MM	TOLERANCES UNLESS OTHERWISE SPECIFIED:
	0 PRC ±
	1 PRC ±
	2 PRC ±
	3 PRC ±
	FINISH ±

DMN	R GOODALL	5-9-01	NAME	Tyco	Tyco Electronics Corporation
CHK	F W-KING	5-9-01	VALUE	Stammore	Stammore, Middlesex, HA7 4RS
APVD	F W-KING	5-9-01	PRODUCT SPEC	108-3435	BNC B/HD JK SOLDER RG58 50 OHM
			APPLICATION SPEC		
			WEIGHT		
			CUSTOMER DRAWING		
SIZE	A3	CAGE CODE	00779	DRAWING NO	1478148
SCALE	NTS	SHEET	1	OF	1
REV					A

BAG	SINGLE ITEM	1-1478148-0
PACK TYPE	DESCRIPTION	PART NUMBER