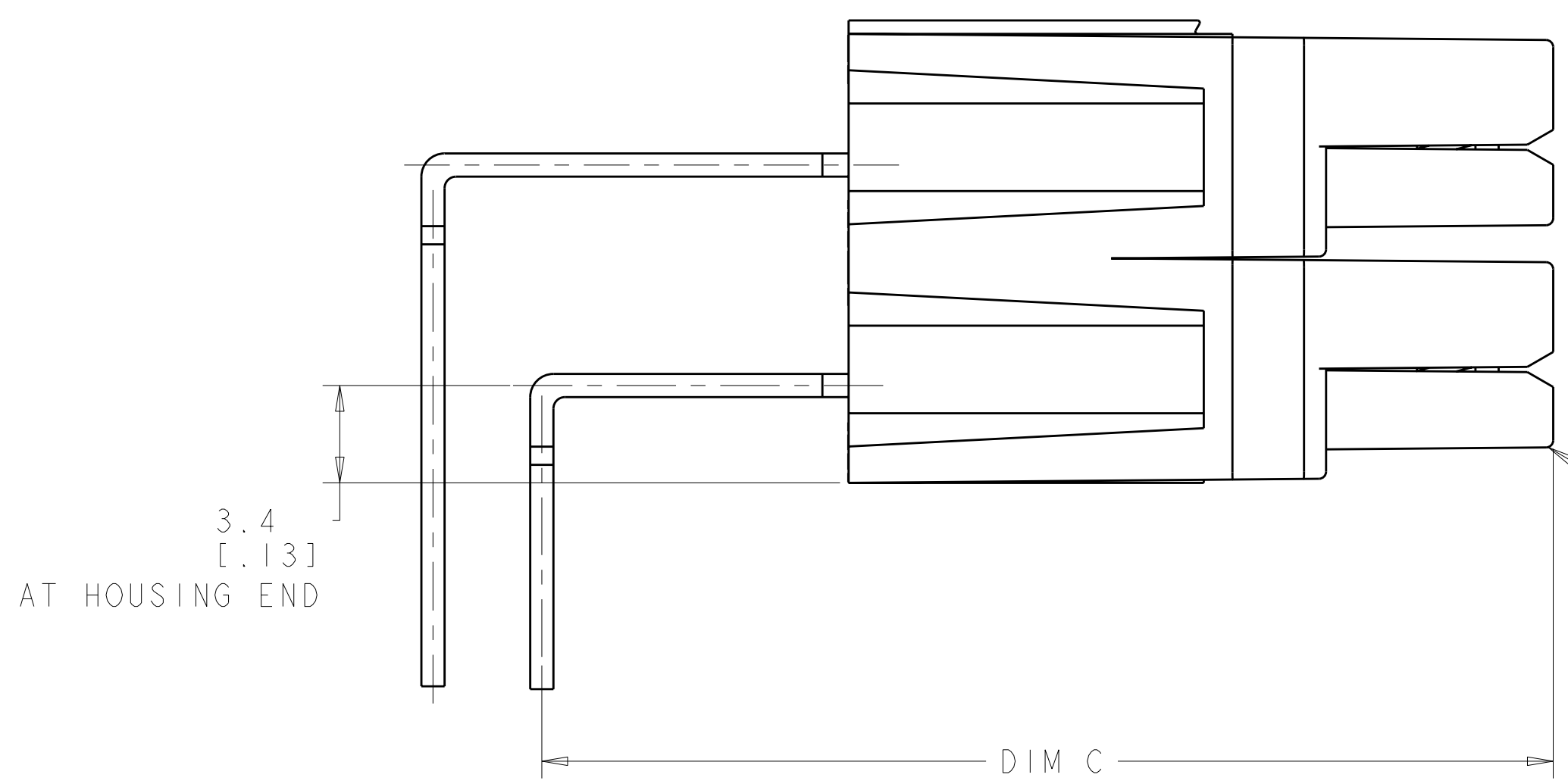
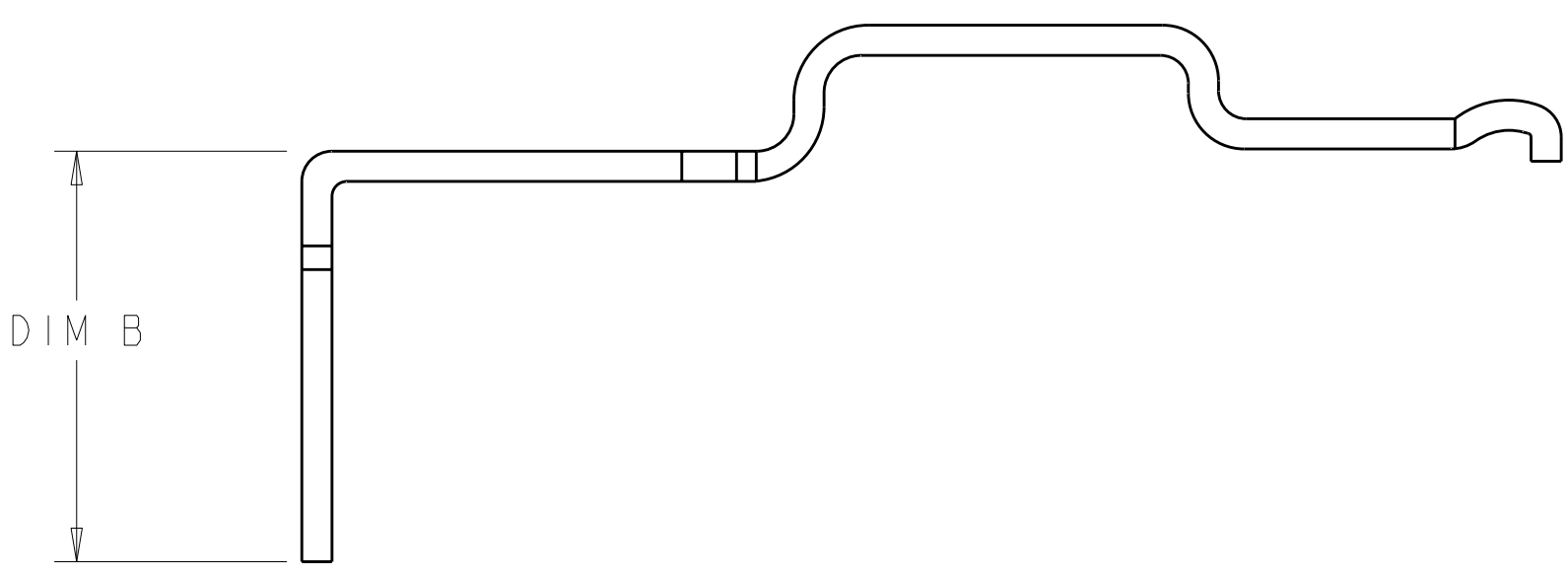
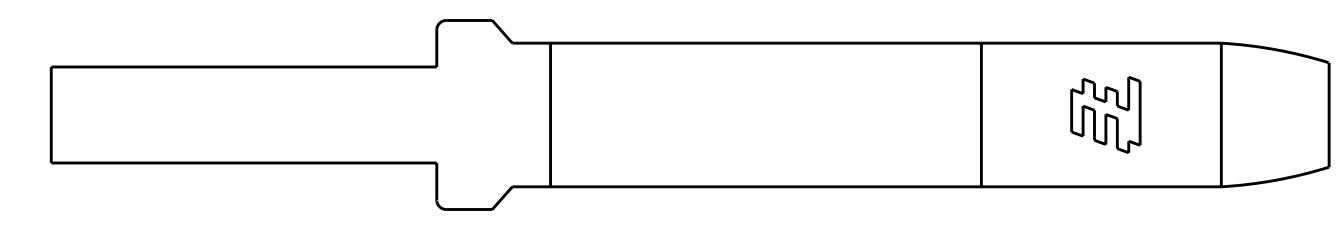
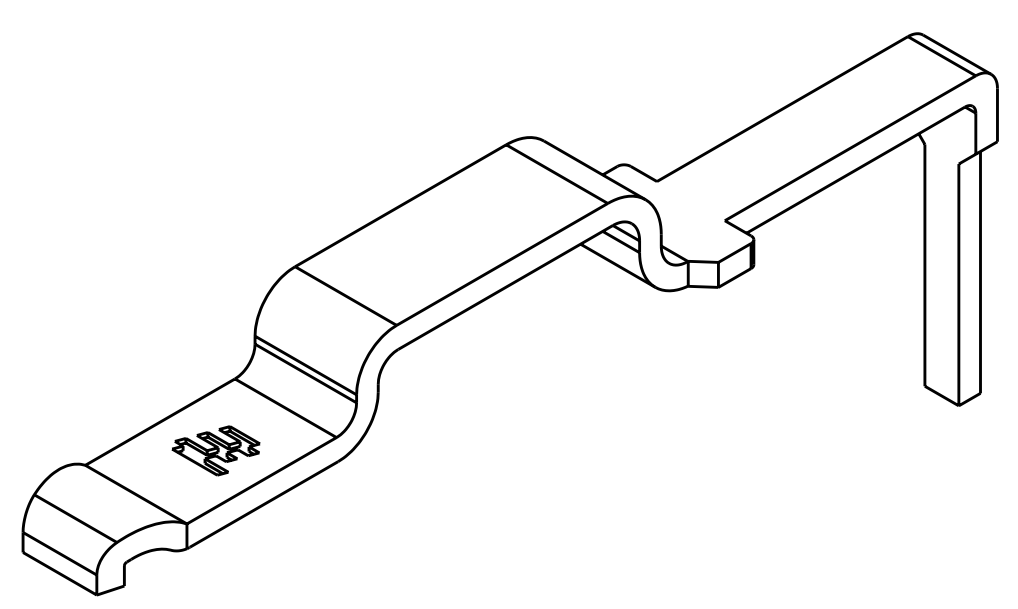
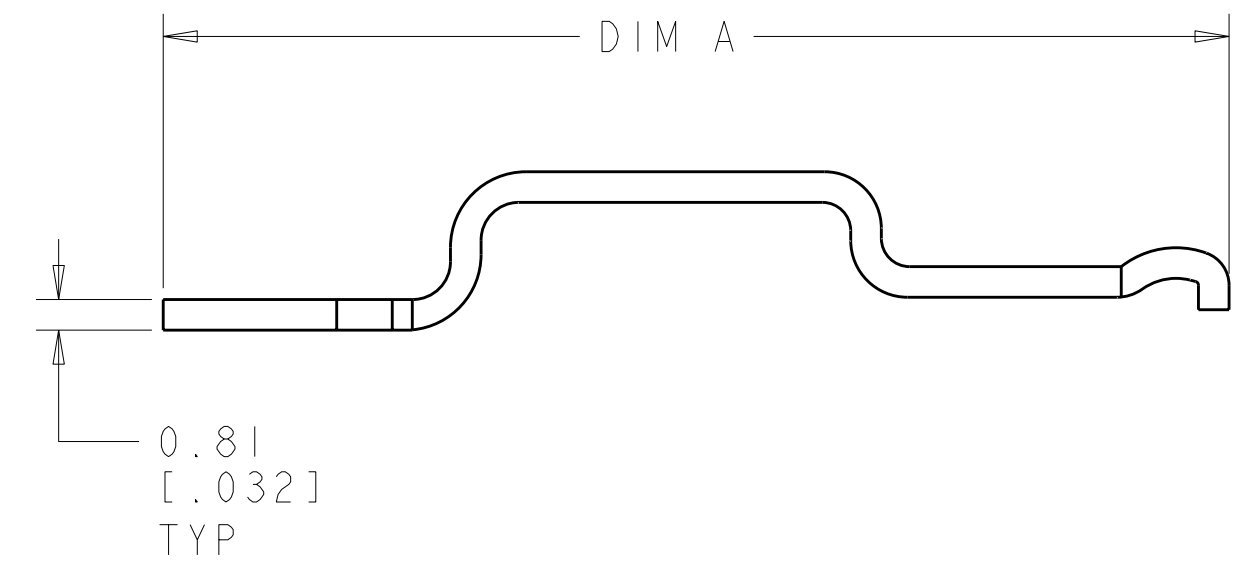
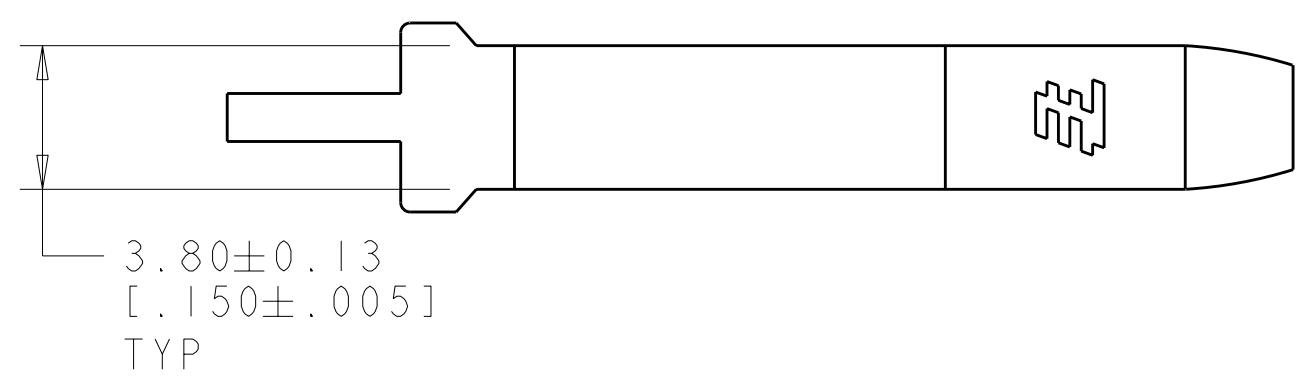
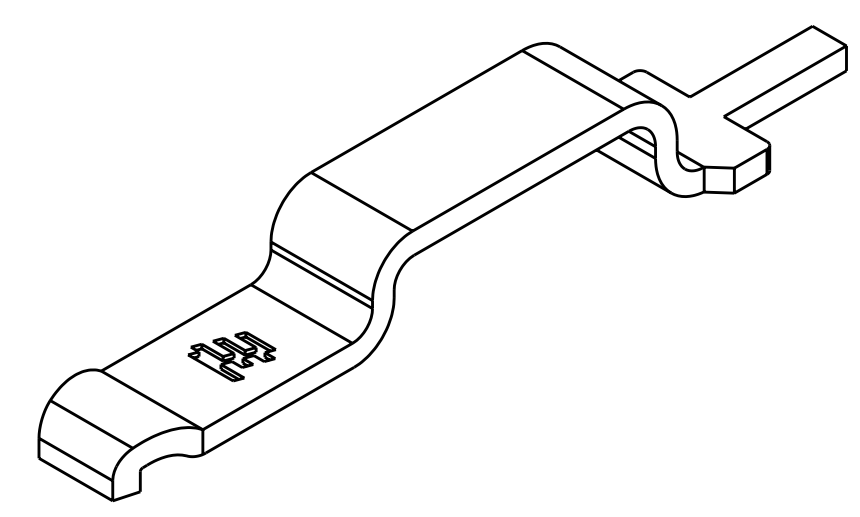
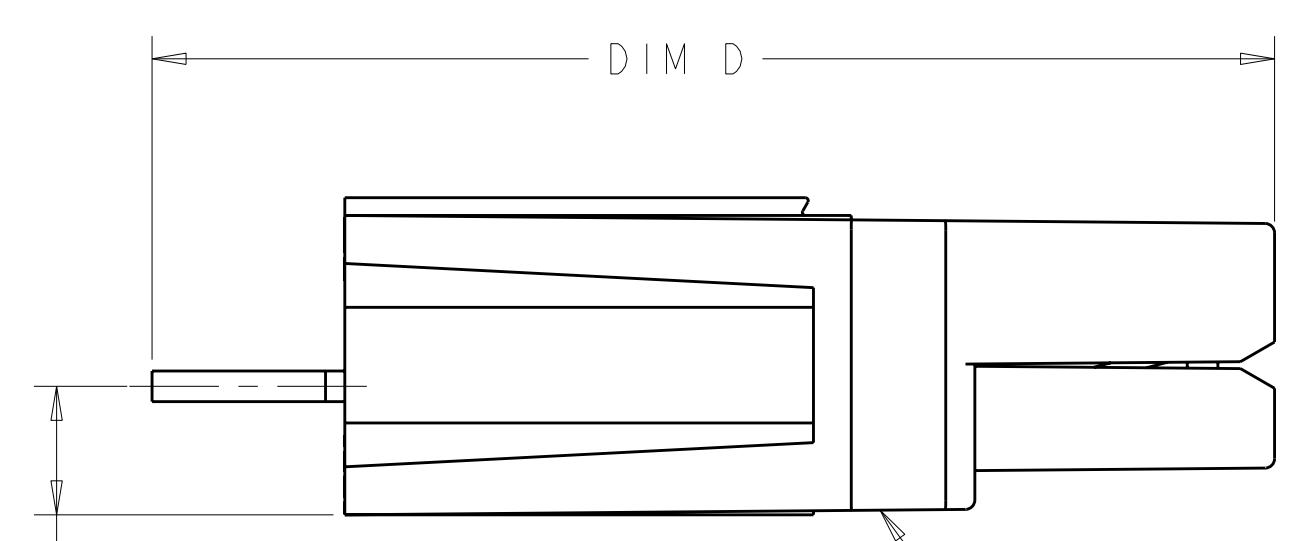
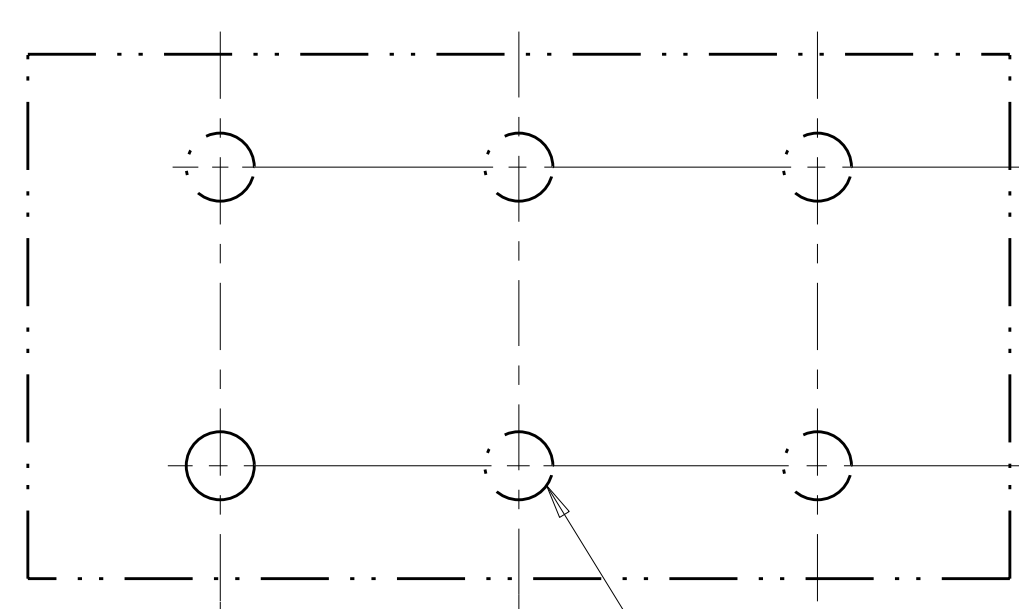


LOC	DIST	REV	DATE	BY	APPD
CM	00	A	27SEP2011	KH	DY
		REVISIONS			
		DESCRIPTION	DATE	DWN	APPD
		REVISED PER ECO-11-018956	27SEP2011	KH	DY



HOUSINGS 1445957, STACKED VERTICALLY (NOT INCLUDED)



TO BE DETERMINED BY CUSTOMER PER APPLICATION

EXPAND AS NECESSARY PER APPLICATION

7.90 [.311]

RECOMMENDED BOARD LAYOUT

437.32 [0.678]	0.00 [0.000]	38.60 [1.520]	17.80 [0.701]	36.80 [1.449]	1-1744128-2
380.24 [0.589]	0.00 [0.000]	34.50 [1.358]	10.20 [0.402]	33.00 [1.299]	1-1744128-1
395.93 [0.614]	56.40 [2.220]	56.40 [2.220]	0.00 [0.000]	54.90 [2.161]	1744128-3
347.26 [0.538]	44.70 [1.760]	44.70 [1.760]	0.00 [0.000]	43.20 [1.701]	1744128-2
285.50 [0.443]	29.70 [1.169]	29.70 [1.169]	0.00 [0.000]	28.20 [1.110]	1744128-1
SURFACE AREA	DIM D	DIM C	DIM B	DIM A	PART NUMBER



THIS DRAWING IS A CONTROLLED DOCUMENT.

DIMENSIONS: mm [INCHES]

TOLERANCES UNLESS OTHERWISE SPECIFIED:

9 PLC	±	0.51 [0.020]
8 PLC	±	0.13 [0.005]
5 PLC	±	0.13 [0.005]
4 PLC	±	0.13 [0.005]
ANGLES		±0°0'

MATERIAL: COPPER FINISH: BRIGHT TIN

STE TE Connectivity

PCB CONTACT, 25 AMP, POWER SERIES

SIZE: A100779 CAGE CODE: 1744128 DRAWING NO: 1744128

SCALE: 5:1 SHEET 1 OF 1 REV A