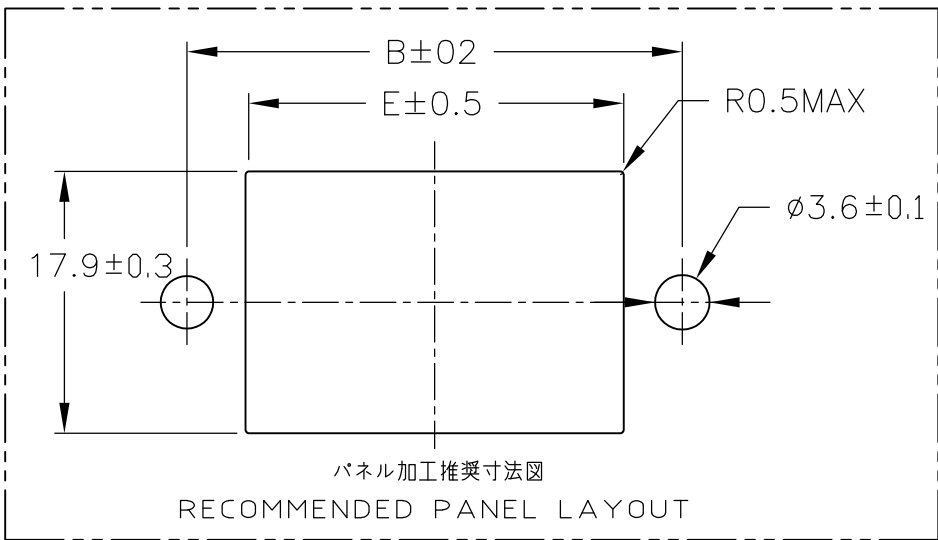
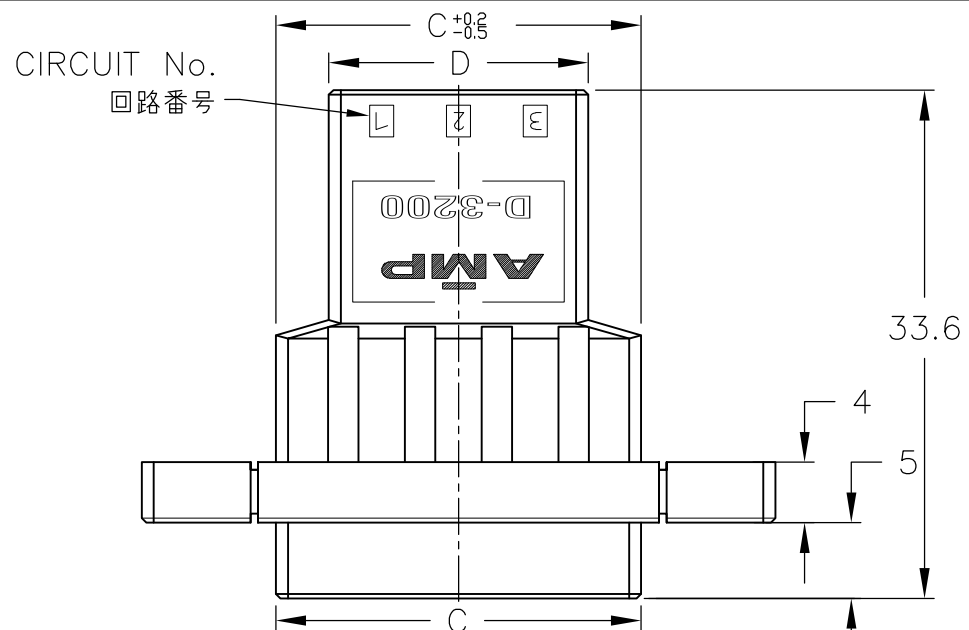
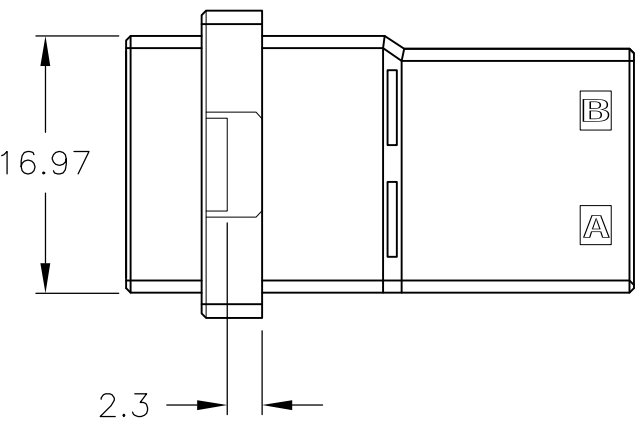
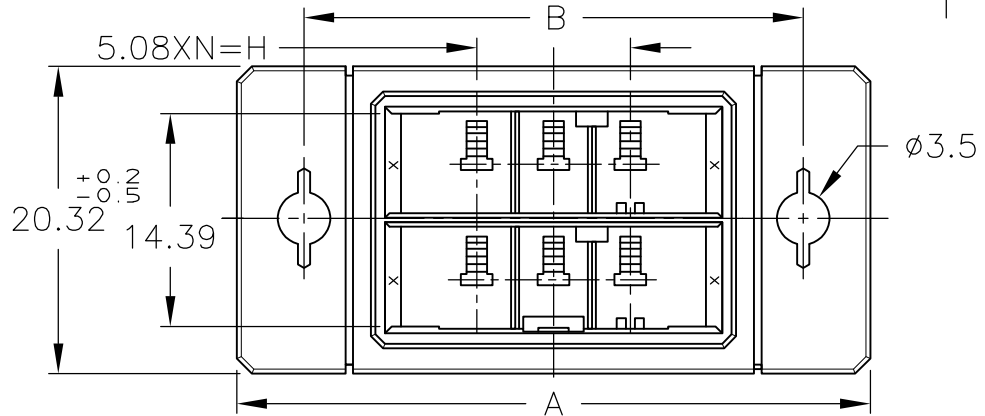


THIS DRAWING IS UNPUBLISHED. RELEASED FOR PUBLICATION
 © COPYRIGHT 1994 By - ALL RIGHTS RESERVED.

LOC	DIST	REVISIONS					
J	-	P	LTR	DESCRIPTION	DATE	DWN	APVD
		E3		REVISED PER ECO-11-005030	11MAR11	RK	HMR

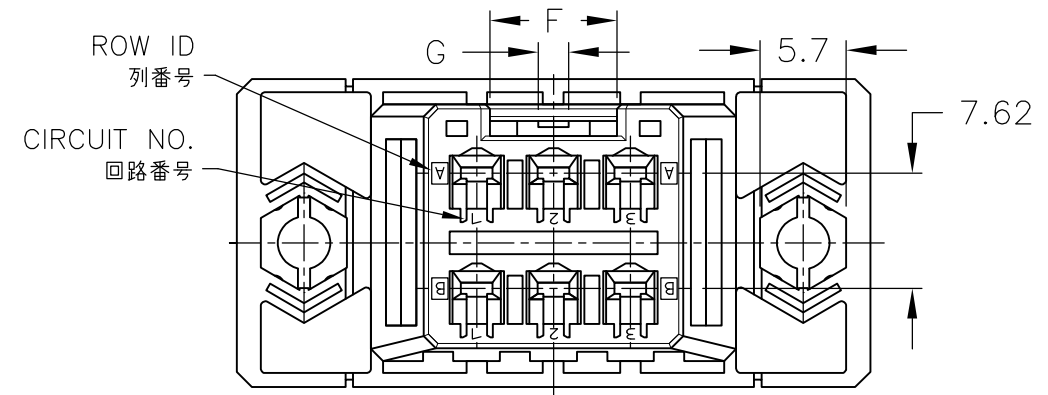
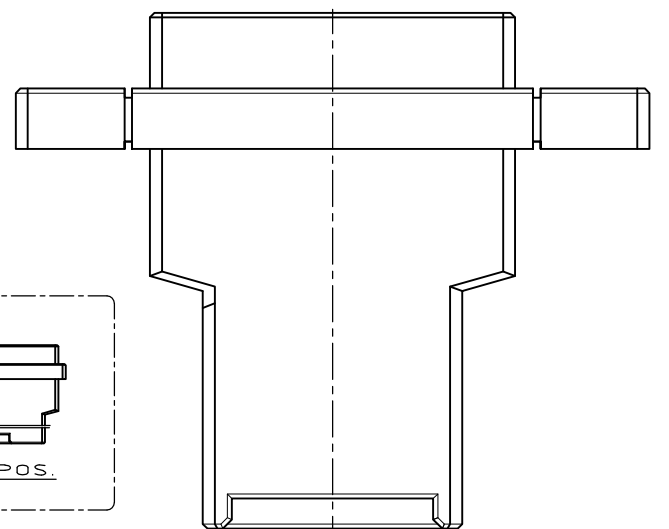
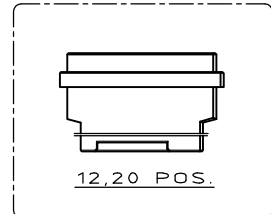


	XX	1-179555-8
	XY	3-179555-6
	YY	2-179555-6
	XX	1-179555-6
	ZZ	4-179555-3
	XY	3-179555-3
	YY	2-179555-3
	XX	1-179555-3
キーイングパターン KEYING PATTERN	キー KEY	型番 PART NUMBER



- 1 MATERIAL:GLASS FILLED THERMO PLASTIC, POLYESTER
COLOR:BLACK
- 2 PANEL ATTACHMENT RECOMMENDATION M3 SCREW
- 1 材料:ガラス入り熱可塑性ポリエステル樹脂 色:黒
- 2 パネル取付推奨ネジ M3

20	78.23	70	59.72	52.72	61	18.4	4	45.72	9	1-179555-8
12	57.91	49	39.40	32.40	41	18.4	4	25.40	5	3-179555-6
12	57.91	49	39.40	32.40	41	18.4	4	25.40	5	2-179555-6
12	57.91	49	39.40	32.40	41	18.4	4	25.40	5	1-179555-6
6	41.91	33	24.16	17.00	25	8.4	2	10.16	2	4-179555-3
6	41.91	33	24.16	17.16	25	8.4	2	10.16	2	3-179555-3
6	41.91	33	24.16	17.16	25	8.4	2	10.16	2	2-179555-3
6	41.91	33	24.16	17.16	25	8.4	2	10.16	2	1-179555-3
極数 POS.	A	B	C	D	E	F	G	H	N	型番 PART NUMBER



THIS DRAWING IS A CONTROLLED DOCUMENT.

DWN N.MATSUBARA 31JAN1994	TE Connectivity パネルマウントタイプ タブハウジング ダイナミック 3200シリーズ WIRE TO WIRE TAB HSG FOR DYNAMIC D-3200M PANEL MOUNT TYPE	
CHK S.MANABE 1FEB1994		
APVD S.MANABE 1FEB1994		
PRODUCT SPEC 108-5349		
DIMENSIONS: mm	TOLERANCES UNLESS OTHERWISE SPECIFIED: 0-PLC <10 ±0.2 1-PLC 10<, <30 ±0.25 2-PLC 30< ±0.3 3-PLC ± 4-PLC ± ANGLES ±3° FINISH	
MATERIAL 1	APPLICATION SPEC 114-5148	
CUSTOMER DRAWING		NAME SIZE CAGE CODE DRAWING NO RESTRICTED TO
SCALE 2:1		SHEET 1 OF 1 REV E3