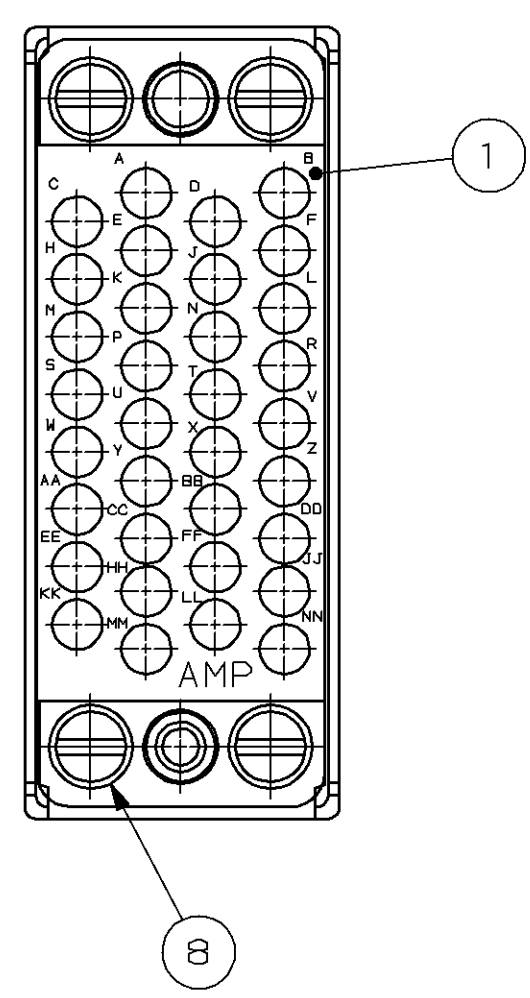
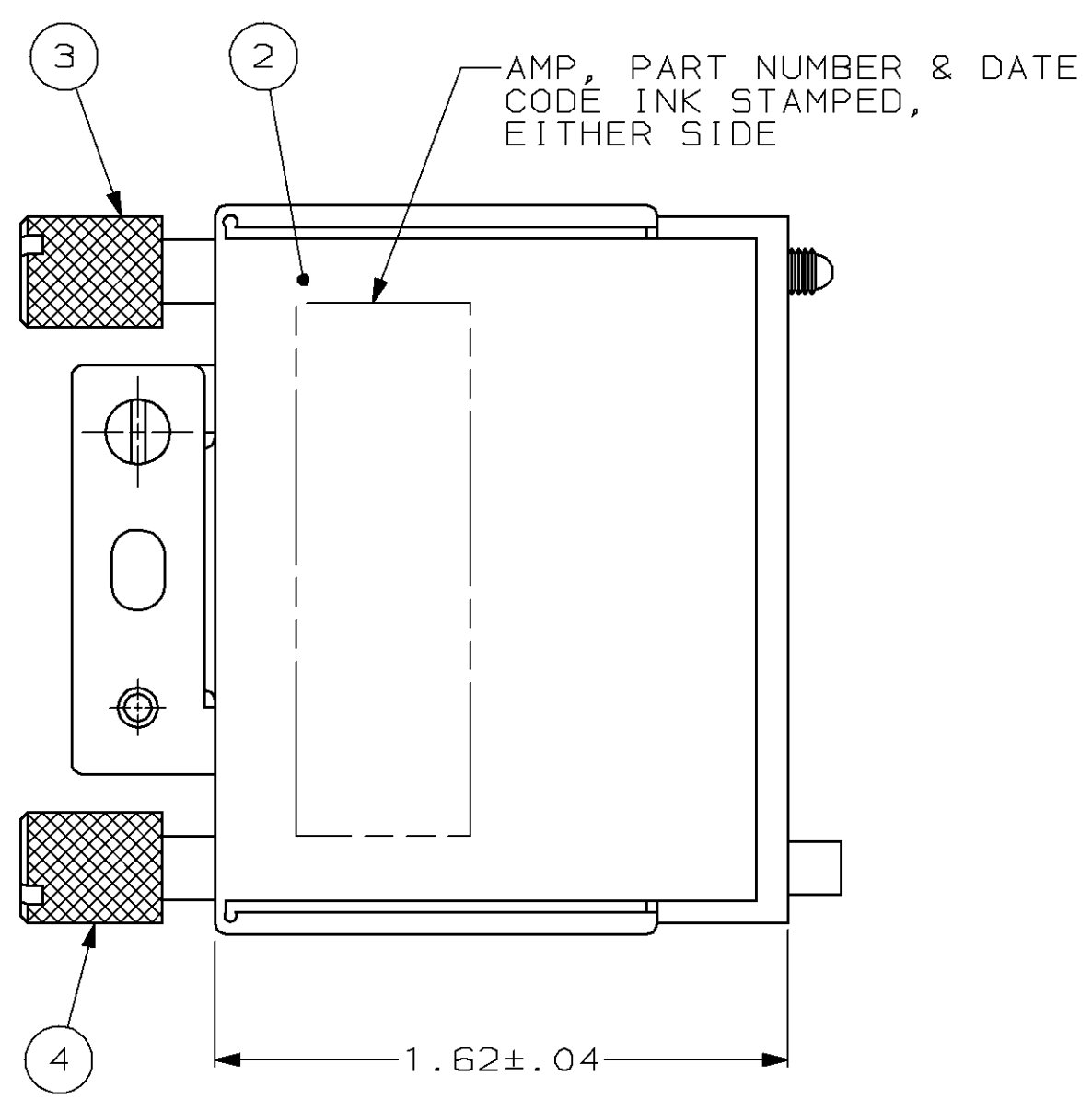
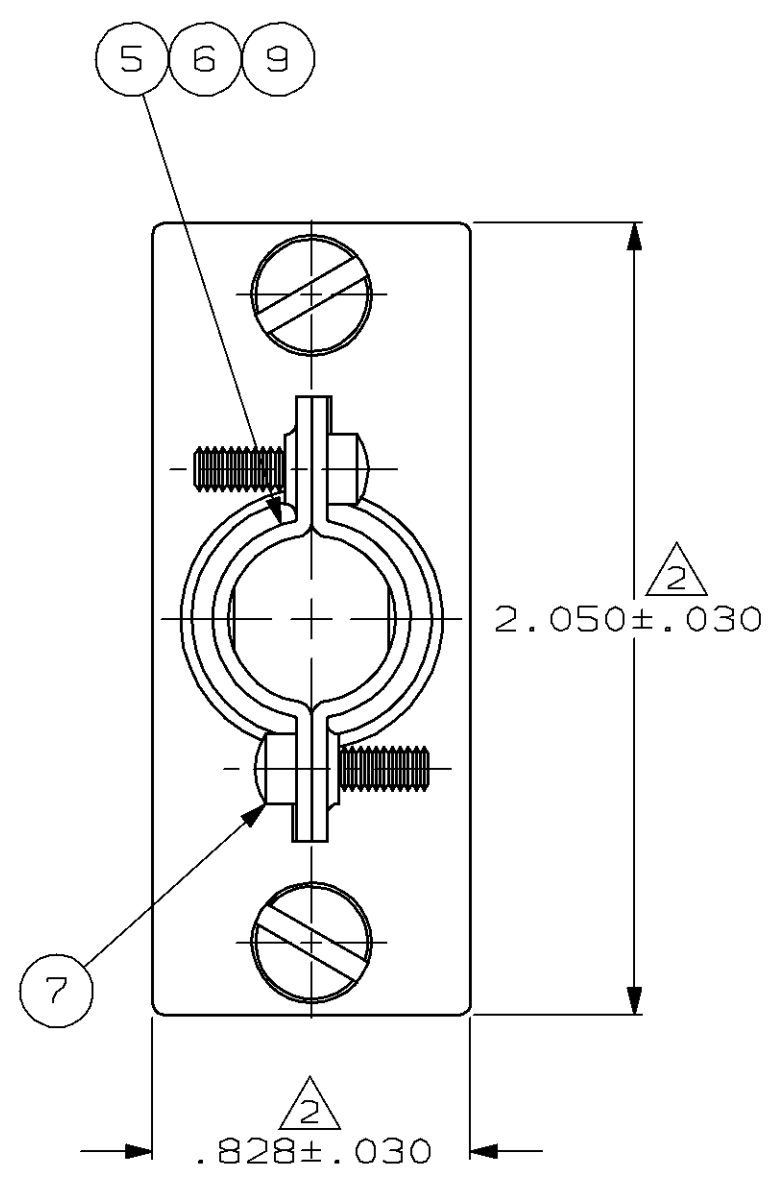


LOC	DIST	P	F	ZONE	LTR	DESCRIPTION	DATE	APPD
FT	8				D1	ADDED -4 NPR 4784 WAS 93-4883-4	05/13/93	RK
					E	OBSOLETE -4 PER EC 0320-28-97	14 AUG 97	MM



- 1. PARTIALLY ASSEMBLED.
- △2 DIMENSION APPLIES AT BASE OF BEND.
- △3 ALL ITEMS BULK PACKAGED SEPARATELY. WITHOUT INK MARKING.

OBSOLETE

QTY	DESCRIPTION	REMARKS	ITEM NO.
2	CABLE CLAMP	STEEL, PLATED ZINC	9
4	SCREW, #4-40, .250 LONG	STEEL, PLATED ZINC	8
2	SCREW, #4-40, .375 LONG	STEEL, PLATED ZINC	7
-	CABLE CLAMP	STEEL, PLATED ZINC	6
-	CABLE CLAMP	STEEL, PLATED ZINC	5
1	JACKSCREW, FEMALE	STAINLESS STEEL	4
1	JACKSCREW, MALE	STAINLESS STEEL	3
1	SHIELD, SHORT	ALUMINUM, ANODIZED	2
1	RECEPTACLE HOUSING, MOD	PHENOLIC, BLACK	1

CABLE AREA SQUARE INCHES	PART NUMBER
.0314-.0707	213522-4
.1491-.2336	213522-3
.1176-.1643	213522-2
.1491-.2336	213522-1

THIS DRAWING IS A CONTROLLED DOCUMENT FOR AMP INCORPORATED. IT IS SUBJECT TO CHANGE AND THE CONTROLLING ENGINEERING ORGANIZATION SHOULD BE CONTACTED FOR THE LATEST REVISION.

DO NOT SCALE PRINT. UNLESS SPECIFIED DIMENSIONS IN mm [INCHES] TOLERANCES ON: 2 PLC DEC ± - 3 PLC DEC ± - ANGLES ± -	DR 4-6-88 D.ERDMAN CHK 4-6-88 R.STONE APPD 4-7-88 R.WALTER APPD 4-12-88 D.SUMMERS	AMP Incorporated Harrisburg, PA 17105-3608		
MATERIAL SEE TABLE	PRODUCT SPEC -	KIT ASSEMBLY, RECEPTACLE, 34 POSITION, M SERIES		
FINISH SEE TABLE	APPLICATION SPEC -	SIZE C	CAGE CODE 00779	DRAWING NO G=213522
	WEIGHT -	SCALE 2:1	SHEET 1 OF 1	