

Distributed by:

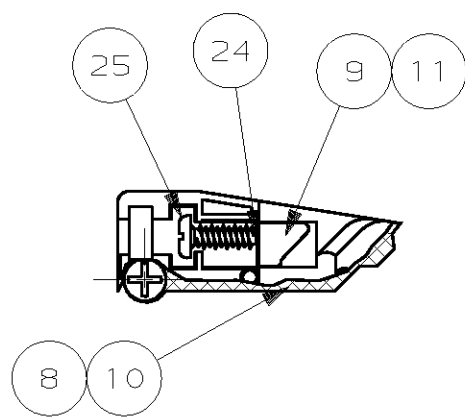
**JAMECO**<sup>®</sup>  
ELECTRONICS

**www.Jameco.com ♦ 1-800-831-4242**

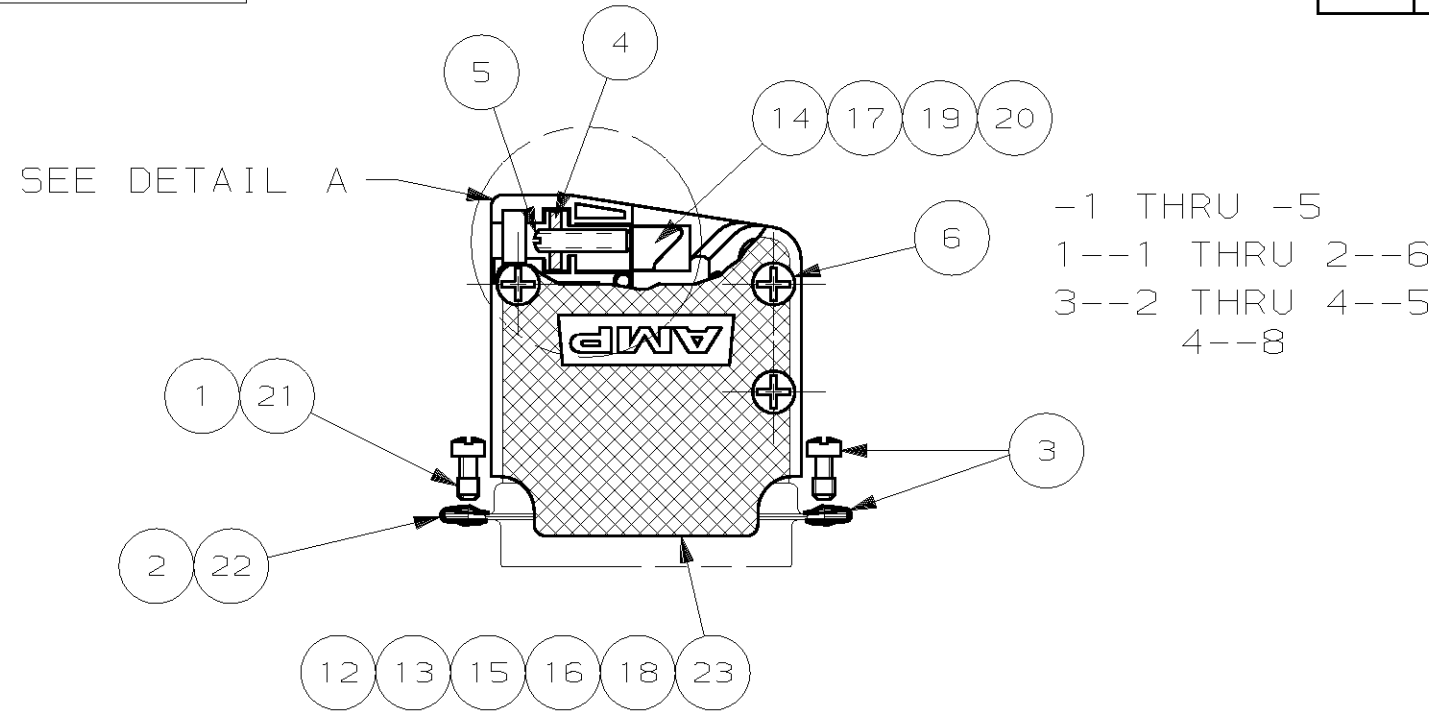
The content and copyrights of the attached  
material are the property of its owner.

Jameco Part Number 745467

LOC	DIST	P	F	ZONE	LTR	REVISIONS	DATE	APPD
GP	00					N REDRAWN ON CAD	4/11/90	-
						N1 ADDED 4--8 PER NPR 4838	07/08/93	NB
						P REV PER EC 0020-782-95	06 DEC 95	CS
						R OBSOLETED -23, -24, -39	03 FEB 96	CS
						S PER EC 0020-779-95		
						S OBSOLETED -21	03 FEB 96	CS
						T PER EC 0020-712-95		
						T OBSOLETED -41 & -46	09 JUL 96	JS
						U PER EC 0020-534-96		
						V REV PER EC 0320-124-97	11 APR 97	DM
						W OBS -48 PER EC 0420-141-96	17 SEPT 97	SB
						W REV PER EC OUE0-0002-01	09 JAN 02	JR



DETAIL A FOR -1, -2, -6, -7, 2--0, 2--1, 3--3, 3--9, & 4--0 ONLY



ITEM NO.	DESCRIPTION	4	8	9	11	24	25	1	2	3	6	7	8	10	12	13	15	16	18	23	20	21	22	23	24	25
1	STRAIN RELIEF KIT 206478-5																									
2	GATE SCREW							1	1												1	1				
3	SHIM							1	1												1	1				
4	SIZE 3 HSG, UNTEXTURED																									
5	CLIP																									
6	RETAINING SCREW																									
7	SIZE 3 GATE, SPECIAL																									
8	CONTENTS BULK PACKAGED BY ITEM																									
9	CONTENTS PACKAGED ONE KIT PER POLY BAG																									
10	SIZE 5 GATE							1																		
11	SIZE 5 HOUSING							1																		
12	SIZE 4 GATE							1																		
13	SIZE 4 HOUSING							1																		
14	SIZE 3 SHORT HOUSING							1																		
15	SIZE 3 GATE							1																		
16	SIZE 3 HOUSING							1																		
17	SIZE 2 SHORT HOUSING							1																		
18	SIZE 2 GATE							1																		
19	SIZE 2 HOUSING							1																		
20	SIZE 1 GATE							1																		
21	SIZE 1 HOUSING							1																		
22	SLOT HEAD #5-21 SCREW,									3	3	3	3	2												
23	PH HD #5-21 HI-LO SCREW														2	3	3	3	3	2	1	2	3			
24	SLOTTED SET SCREW																									
25	SQUARE NUT																									
26	SCREW RETAINER KIT																									
27	CLIP																									
28	RETAINING SCREW																									

- 1 PARTS PACKAGED UNASSEMBLED.
- 2 STANDARD PACKAGING.
- 3 SMALL PACK PACKAGING.

DO NOT SCALE PRINT. UNLESS SPECIFIED DIMENSIONS IN INCHES TOLERANCES ON :

2 PLC DEC ± -  
3 PLC DEC ± -  
ANGLES ± -

MATERIAL -

FINISH -

DR 4-11-90 A.STAUB BG  
CHK 6-15-90 W.G.LENKER  
APPD 7-9-90 J.E.WESTMAN  
APPD 7-16-90 J.ASSINI  
PRODUCT SPEC -  
APPLICATION SPEC -  
WEIGHT -

AMP INCORPORATED Harrisburg, Pa. 17105

NAME STRAIN RELIEF KIT, 45°/180° AMPLIMATE™ HD-20

SIZE C FSCM NO 00779 DRAWING NO 206478  
SCALE 2:1 SHEET 1 OF 1