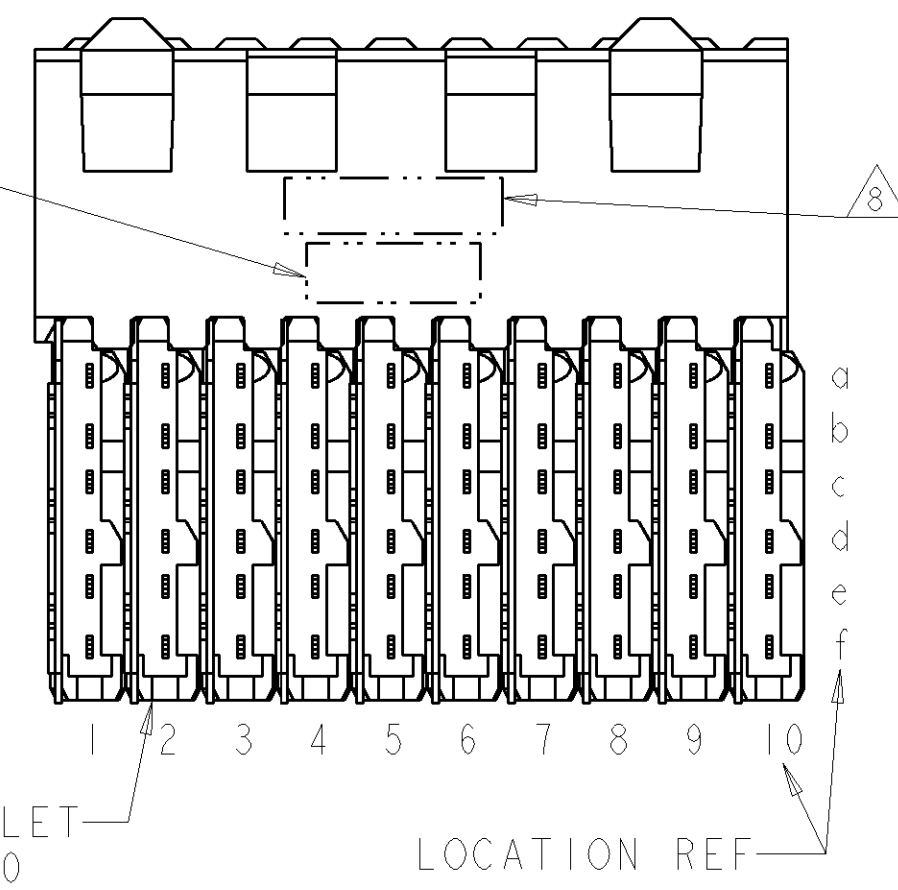
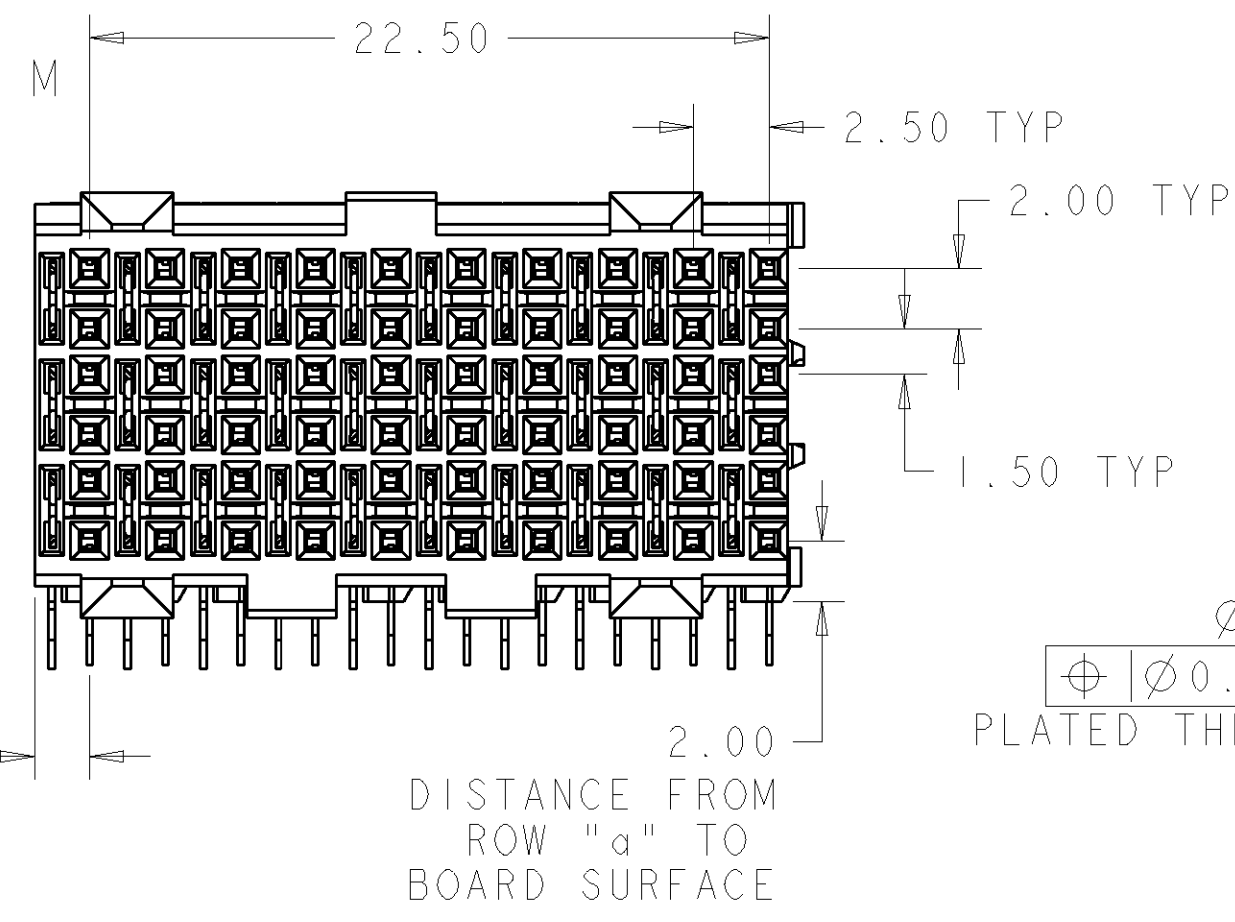
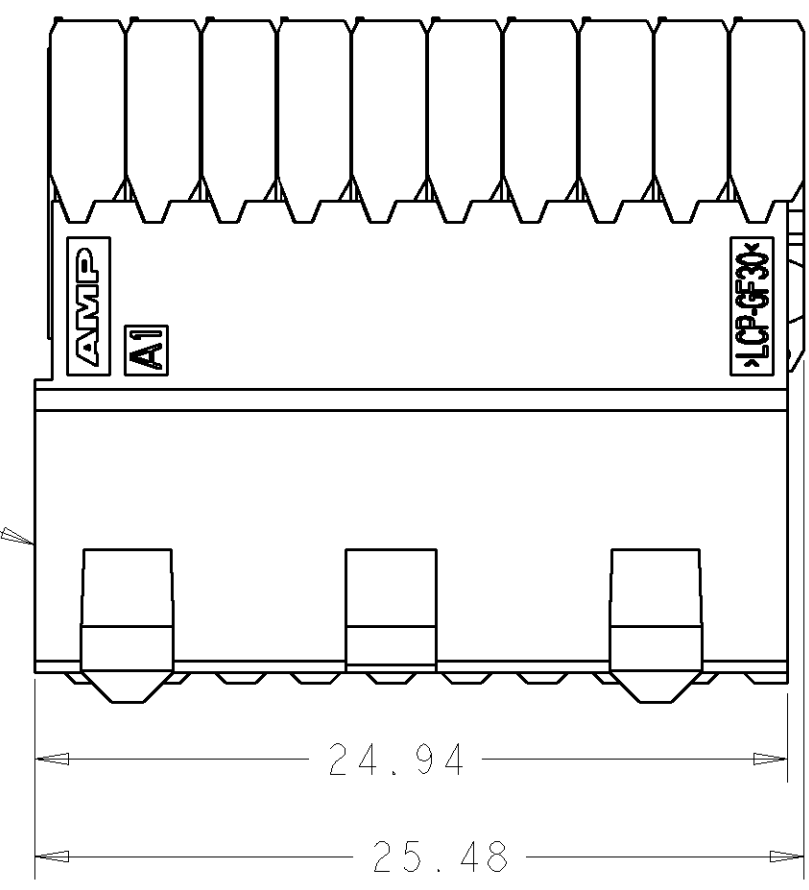
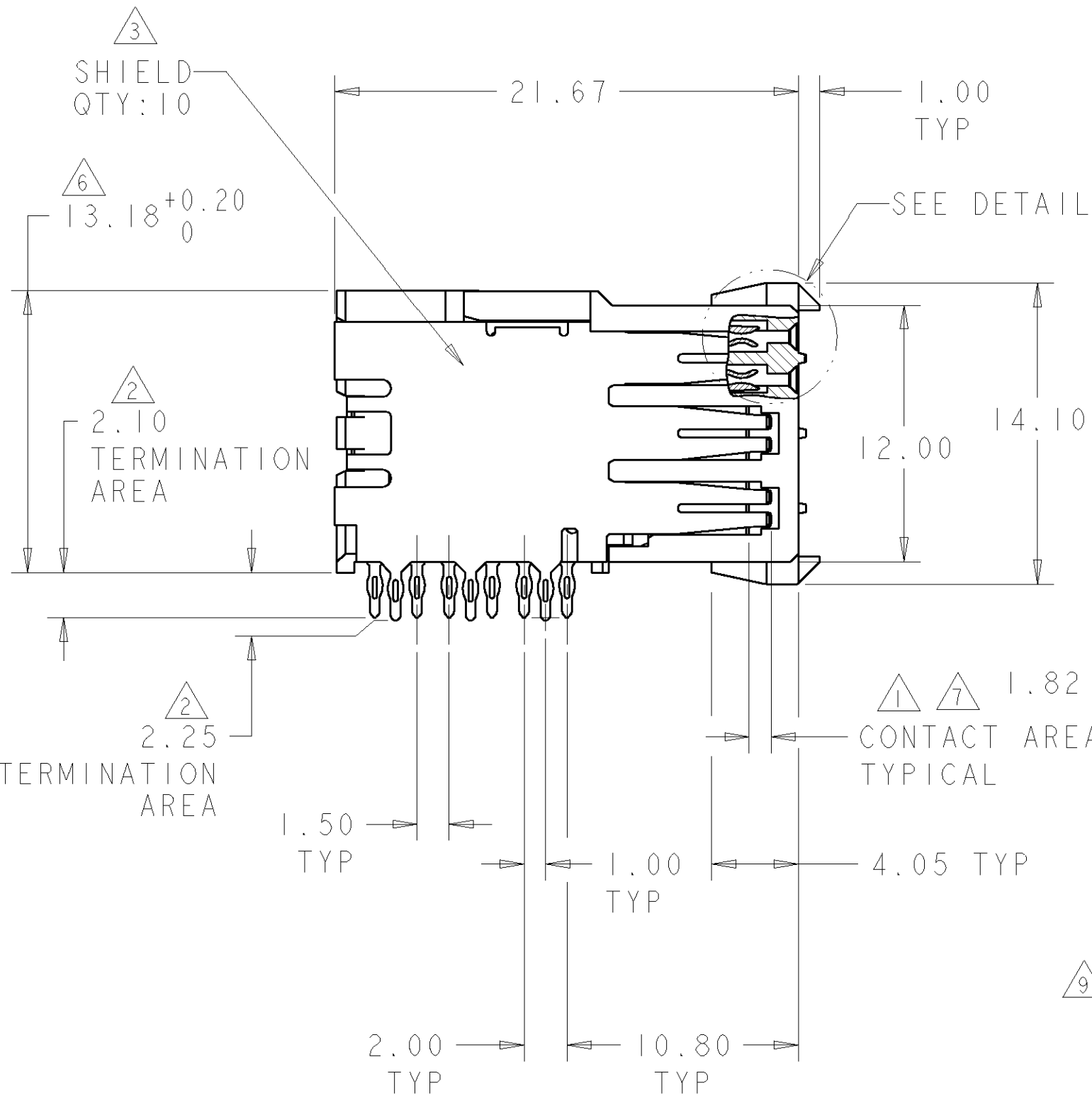
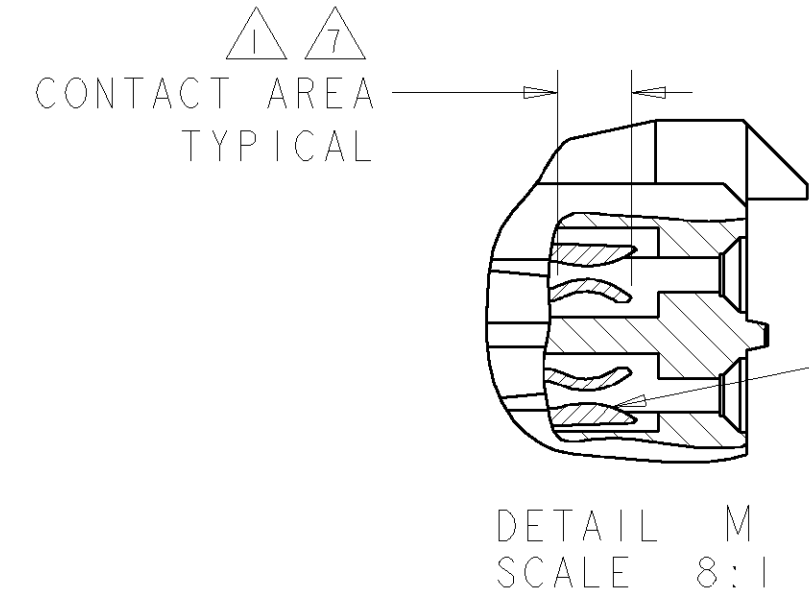
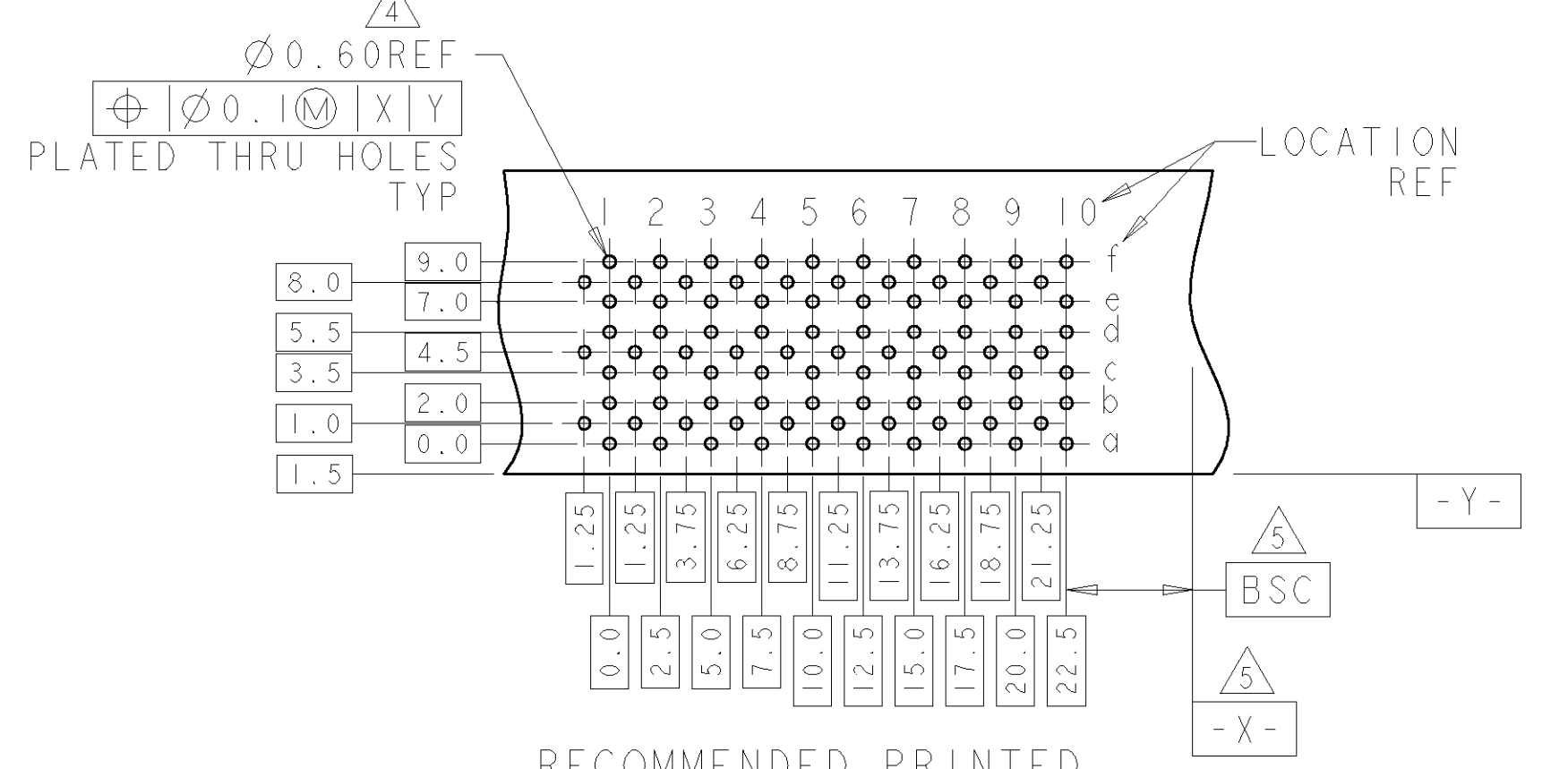


THIS DRAWING IS UNPUBLISHED. RELEASED FOR PUBLICATION 20
 © COPYRIGHT 20 BY TYCO ELECTRONICS CORPORATION. ALL RIGHTS RESERVED.

LOC	DIST	REVISIONS					
		P	LTR	DESCRIPTION	DATE	DWN	APVD
AD	00	E		REMOVED 5.10 TYP DIM PER 0S12-0132-04	11MAR2004	SJM	RAP
		F		REV PER EC 0S12-0236-04	14SEP2004	BC	RP
		FI		REV PER ECO-06-024579	22JAN2007	JRP	RAP



- 1 0.76µm MIN GOLD OVER 1.27µm MIN NICKEL OR GOLD FLASH OVER 0.76µm MIN PALLADIUM-NICKEL OVER 1.27µm MIN NICKEL
- 2 0.76µm MIN TIN-LEAD OVER 1.27µm MIN NICKEL
- 3 MATERIAL:
 CONTACT - COPPER ALLOY
 SHIELD - PHOSPHOR BRONZE
 HOUSING - LCP, UL94V-0
 CHICKLET - GLASS FILLED POLYESTER
- 4 REFERENCE APPLICATION SPEC 114-13020 FOR RECOMMENDED PLATED THRU HOLE DIAMETER AND PLATING THICKNESSES
- 5 DATUM AND BASIC DIMENSION ESTABLISHED BY CUSTOMER.
- 6 SEATING HEIGHT TO BOARD SURFACE.
- 7 CONTACT AREA LUBRICATED WITH BELLCORE APPROVED LUBRICANT. TECHNICAL REFERENCE: GR-1217-CORE, ISSUE 1, NOVEMBER 1995.
- 8 DATE CODE
- 9 PART NUMBER



RECOMMENDED PRINTED CIRCUIT BOARD LAYOUT
 COMPONENT SIDE OF PRINTED CIRCUIT BOARD
 SCALE 3:1

120786-1
 PART NUMBER

THIS DRAWING IS A CONTROLLED DOCUMENT FOR TYCO ELECTRONICS CORPORATION. IT IS SUBJECT TO CHANGE AND THE CONTROLLING ENGINEERING ORGANIZATION SHOULD BE CONTACTED FOR THE LATEST REVISION.		DWN MDL 120CT99	tyco Tyco Electronics Harrisburg, PA 17105-3608	
DIMENSIONS: mm		CHK MDL 120CT99	NAME RECEPTACLE ASSEMBLY, 60 POSITION, 6 ROW, DUAL BEAM, Z-PACK HS3	
TOLERANCES UNLESS OTHERWISE SPECIFIED: 0 PLC ± 1 PLC ± 2 PLC ±0.13 3 PLC ±0.050 4 PLC ± ANGLES ± FINISH SOLDER TAIL: 1 SOLDER TAIL: 2		APVD MDL 120CT99	RESTRICTED TO	
MATERIAL 3		PRODUCT SPEC 108-1957	SIZE A2	CAGE CODE 00779
		APPLICATION SPEC 114-13020	DRAWING NO G-120786	SCALE 3:1
		WEIGHT -	SHEET 1 OF 1	REV FI
		CUSTOMER DRAWING		