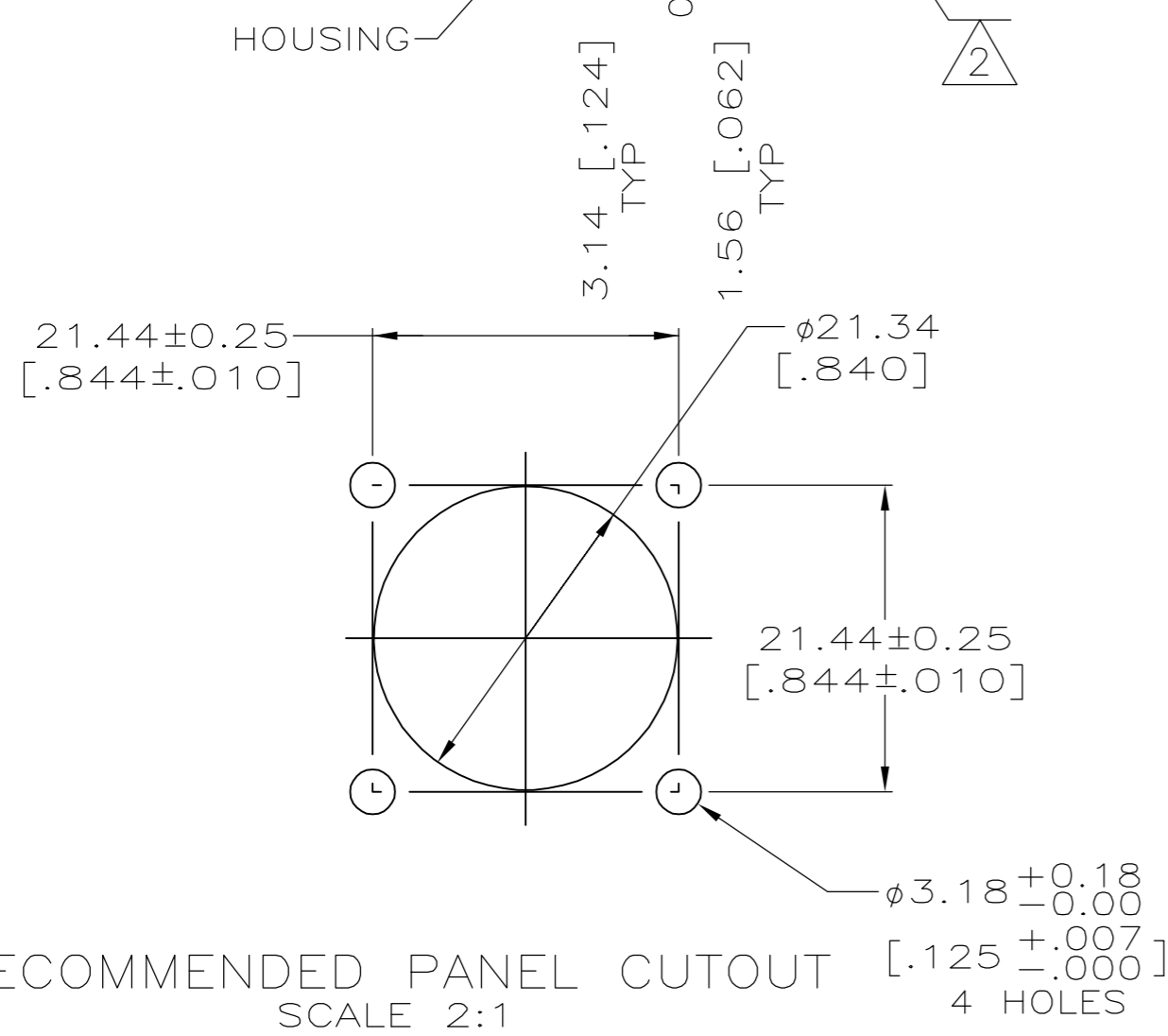
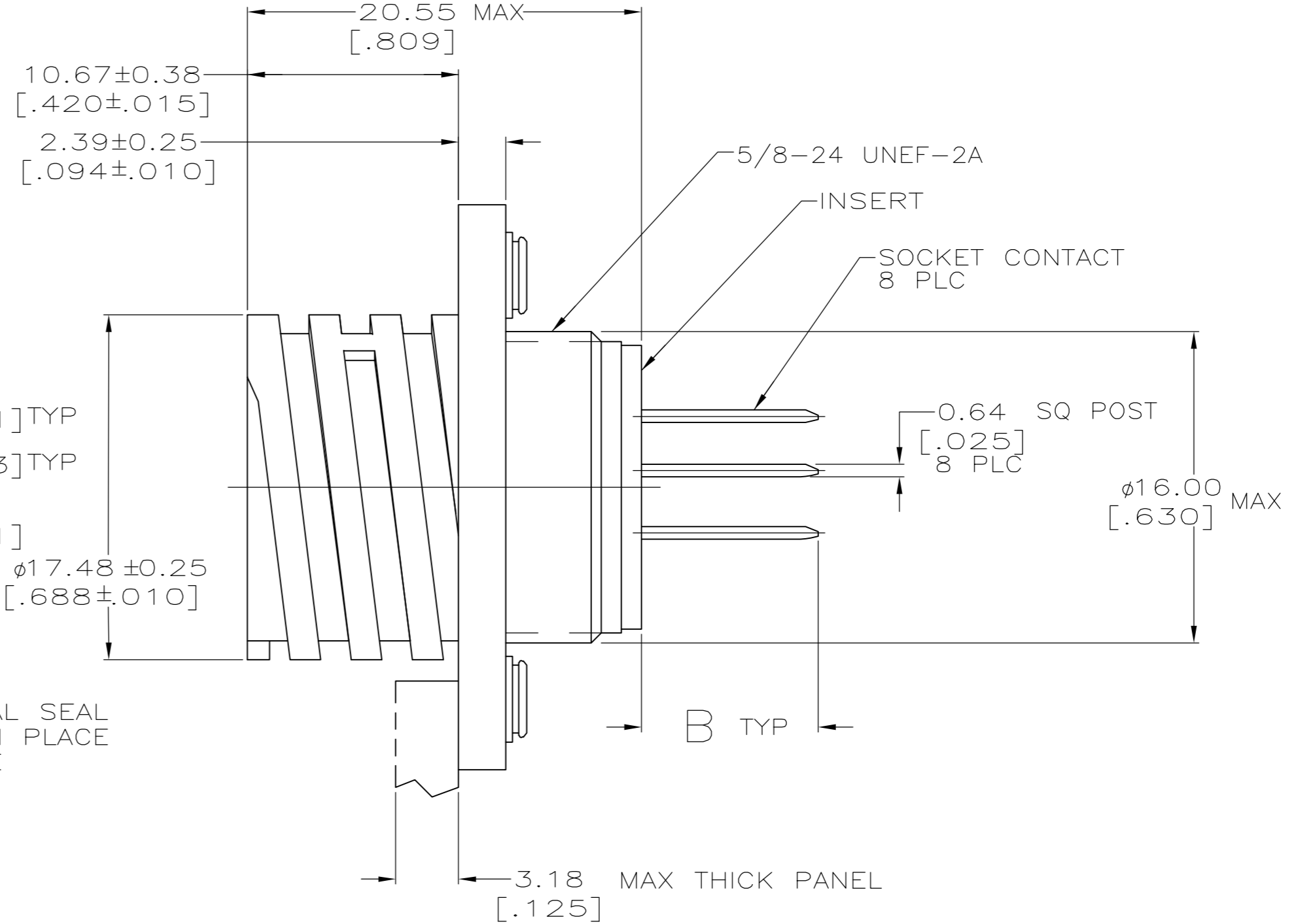
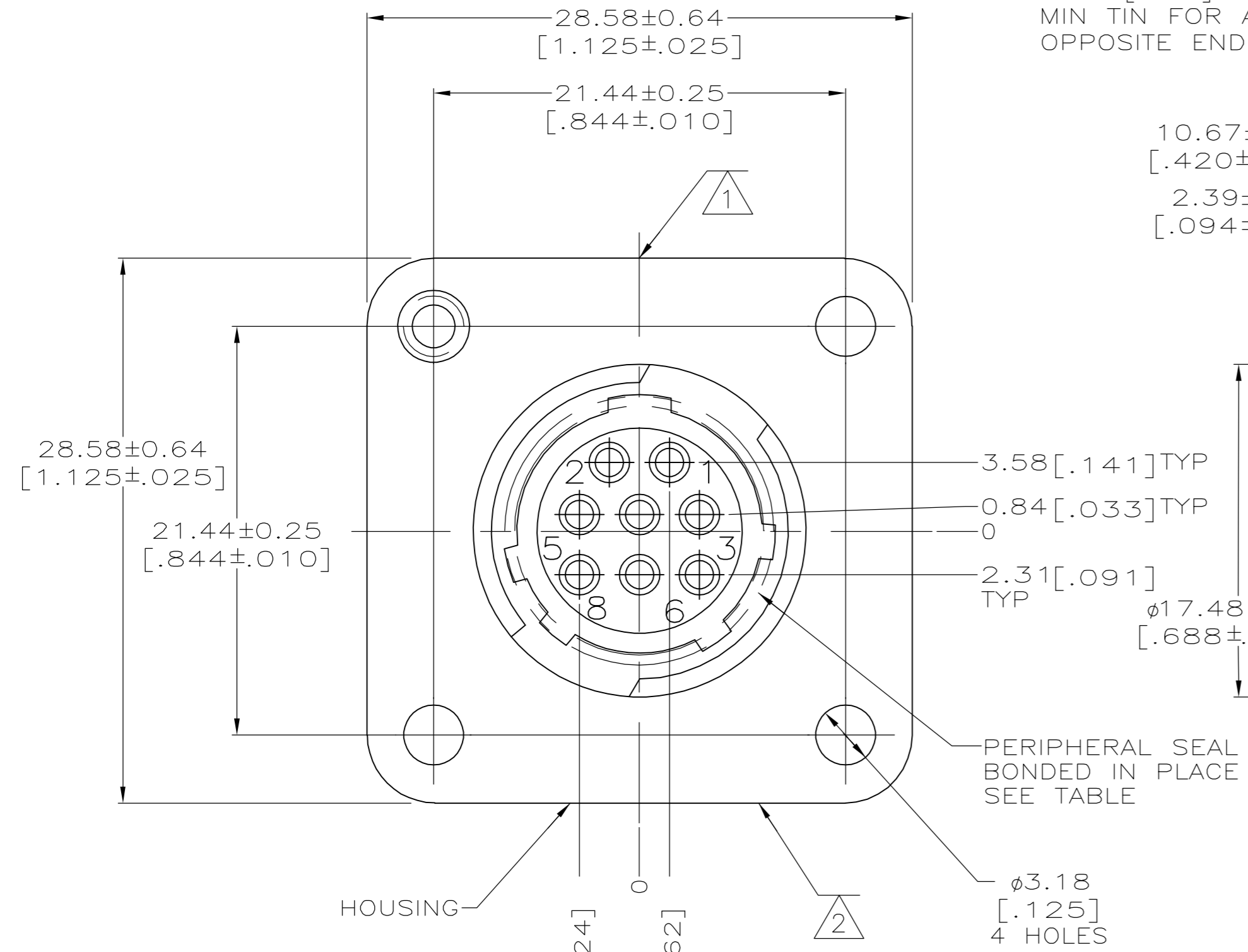


THIS DRAWING IS UNPUBLISHED. RELEASED FOR PUBLICATION
 © COPYRIGHT BY TYCO ELECTRONICS CORPORATION. ALL RIGHTS RESERVED.

| REVISIONS | | | | |
|-----------|-----|-------------------------|---------|-------|
| P | LTR | DESCRIPTION | DATE | APVD |
| H | | REVISED PER ECO-06-3414 | 2/22/06 | SS SH |

- 1 AMP MOLDED ON THIS SURFACE.
- 2 PART NUMBER AND DATE CODE MARKED ON THIS SURFACE.
- 3 NYLON, GLASS FILLED, FLAME RETARDANT, BLACK.
- 4 0.76um [.000030] MIN GOLD FOR A LENGTH OF 2.54 [.100] MIN FROM MATING END, 2.54um [.000100] MIN TIN-LEAD FOR A LENGTH OF 9.70 [.382] MIN FROM OPPOSITE END, BOTH OVER 1.27um [.000050] MIN NICKEL.
- 5 0.76um [.000030] MIN GOLD FOR A LENGTH OF 2.54 [.100] MIN FROM MATING END, 2.54um [.000100] MIN TIN FOR A LENGTH OF 9.70 [.382] MIN FROM OPPOSITE END, BOTH OVER 1.27um [.000050] MIN NICKEL.



| CONTACT FINISH | PERIPHERAL SEAL | THREADED INSERT | DIM B | PART NUMBER |
|----------------|-----------------|-----------------|------------------------|-------------|
| | | | 8.94±0.76 [.352±.030] | 1-208657-1 |
| | | | 14.58±0.76 [.574±.030] | 1-208657-0 |
| | | | 12.17±0.76 [.479±.030] | 208657-9 |
| | | | 12.17±0.76 [.479±.030] | 208657-8 |
| PRELIMINARY | | | 14.58±0.76 [.574±.030] | 208657-7 |
| OBSOLETE | | | 8.94±0.76 [.352±.030] | 208657-6 |
| | | | 14.58±0.76 [.574±.030] | 208657-5 |
| | | | | 208657-4 |
| OBSOLETE | | | | 208657-3 |
| OBSOLETE | | | 8.94±0.76 [.352±.030] | 208657-2 |
| | | | 8.94±0.76 [.352±.030] | 208657-1 |

THIS DRAWING IS A CONTROLLED DOCUMENT.

| | | | |
|---------------------------------------------------------------------------------------------------|-----------------------------------------------------------------------------------------------|--------------------------------------------------------------------------------------------------------------------|-----------------------------------------------------------|
| DIMENSIONS: mm | TOLERANCES UNLESS OTHERWISE SPECIFIED: | DWN L. SIPE 05/16/90 | Tyco Electronics Corporation Harrisburg, PA 17105-3608 |
| 0 PLC ± - 1 PLC ± - 2 PLC ± 0.13 [.005] 3 PLC ± - 4 PLC ± - ANGLES ± - FINISH - | 4-40 THREADED INSERTS: BRASS HOUSING AND INSERT: NYLON SOCKET CONTACTS: PHOSPHOR BRONZE | CHK J. McCLINTON 5/30/90 APVD M. KAPEZYNSKI 5/30/90 PRODUCT SPEC 108-10024 APPLICATION SPEC - WEIGHT - | |
| CUSTOMER DRAWING | | SCALE 4:1 | RESTRICTED TO |