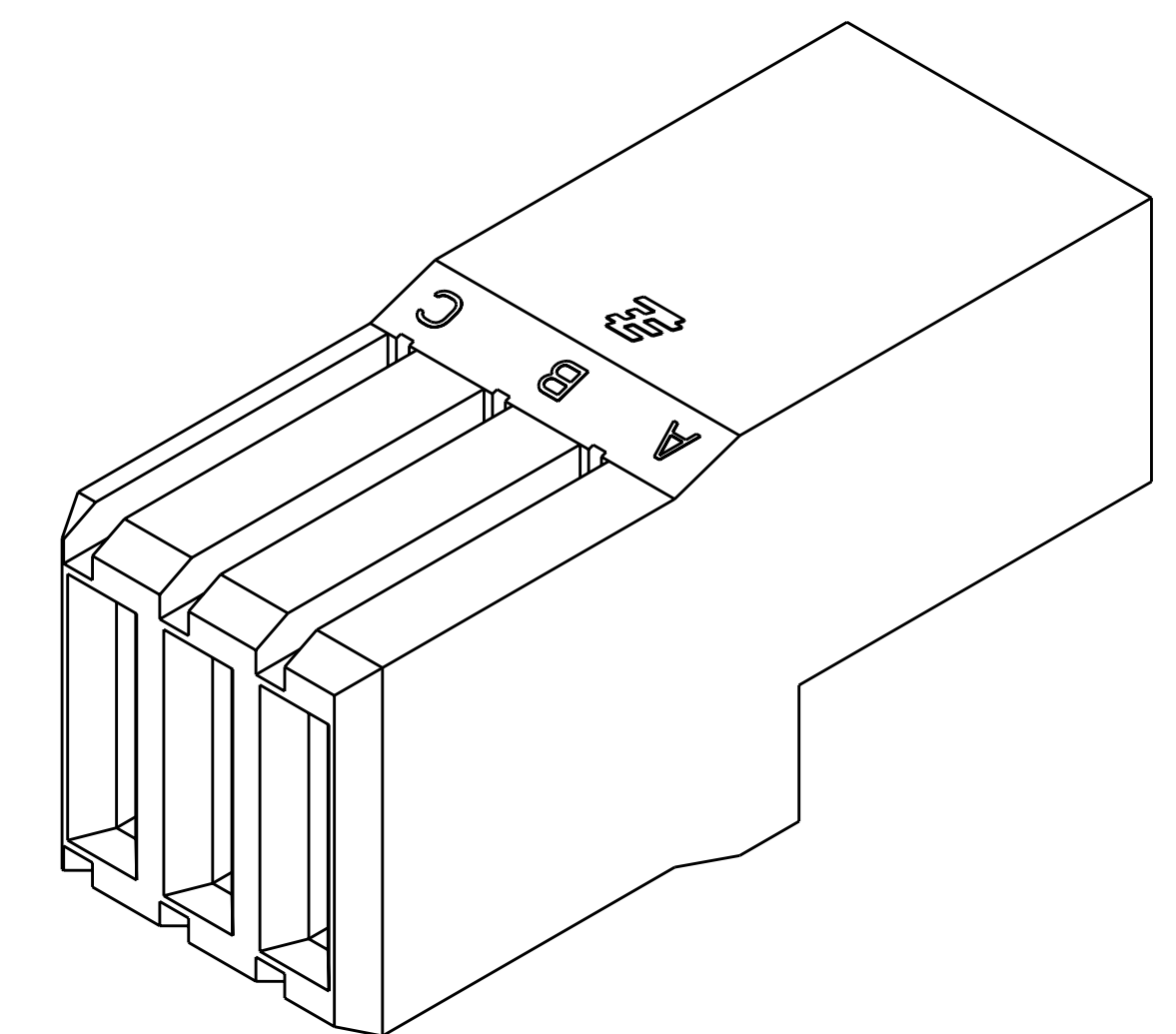
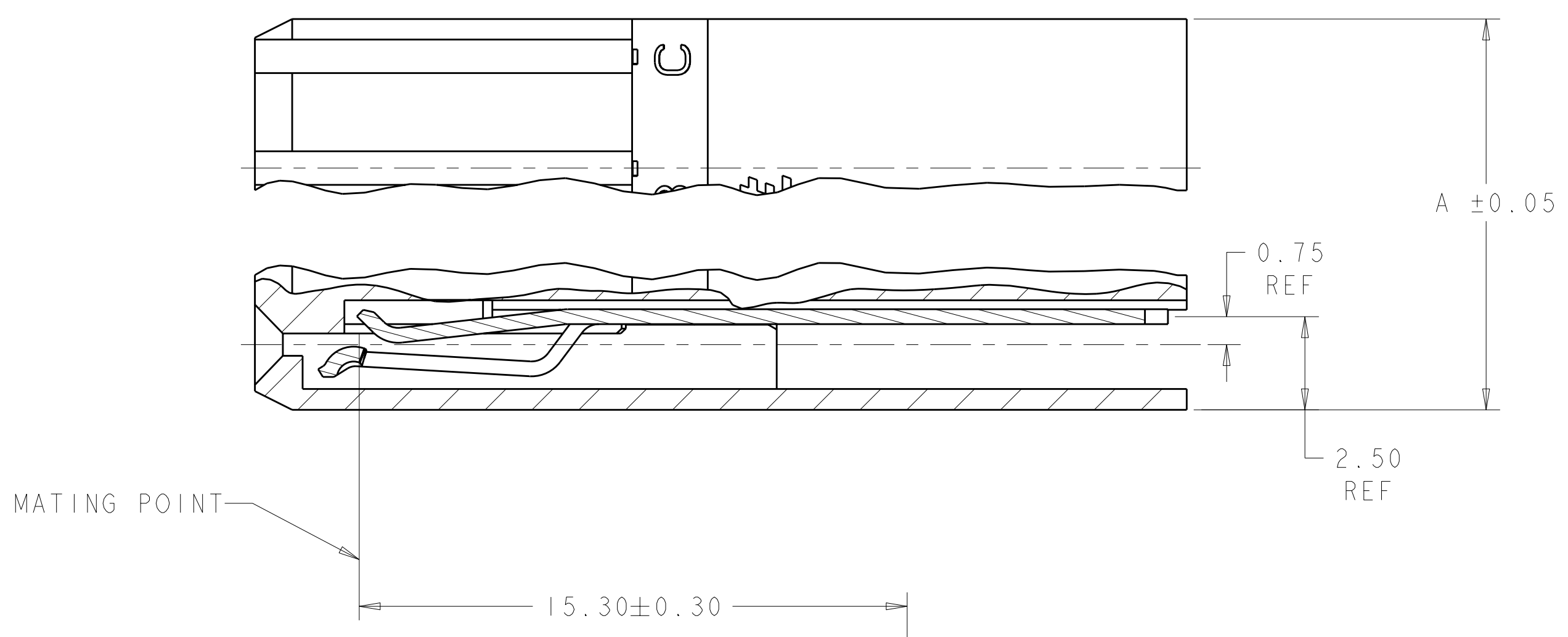
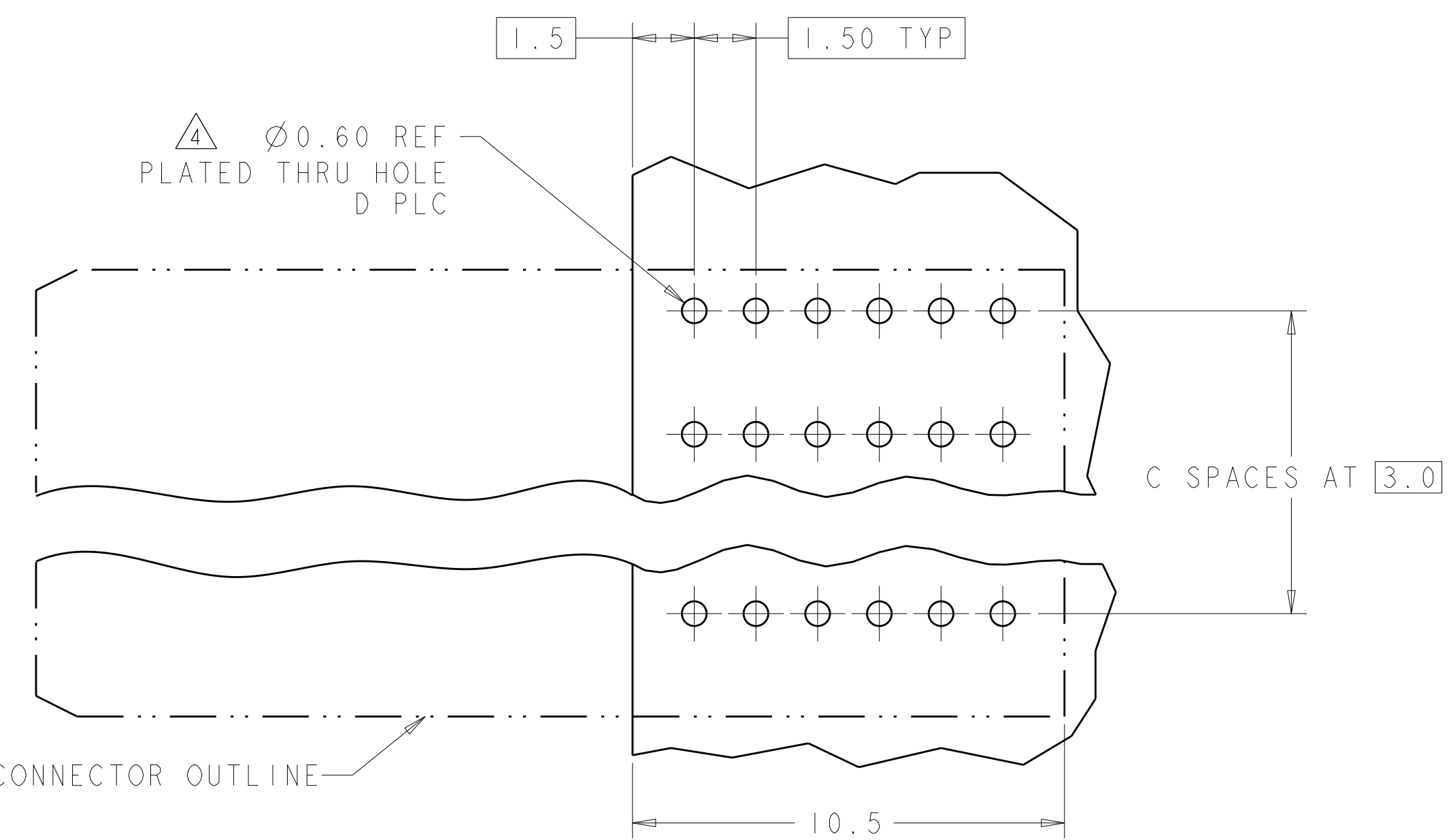
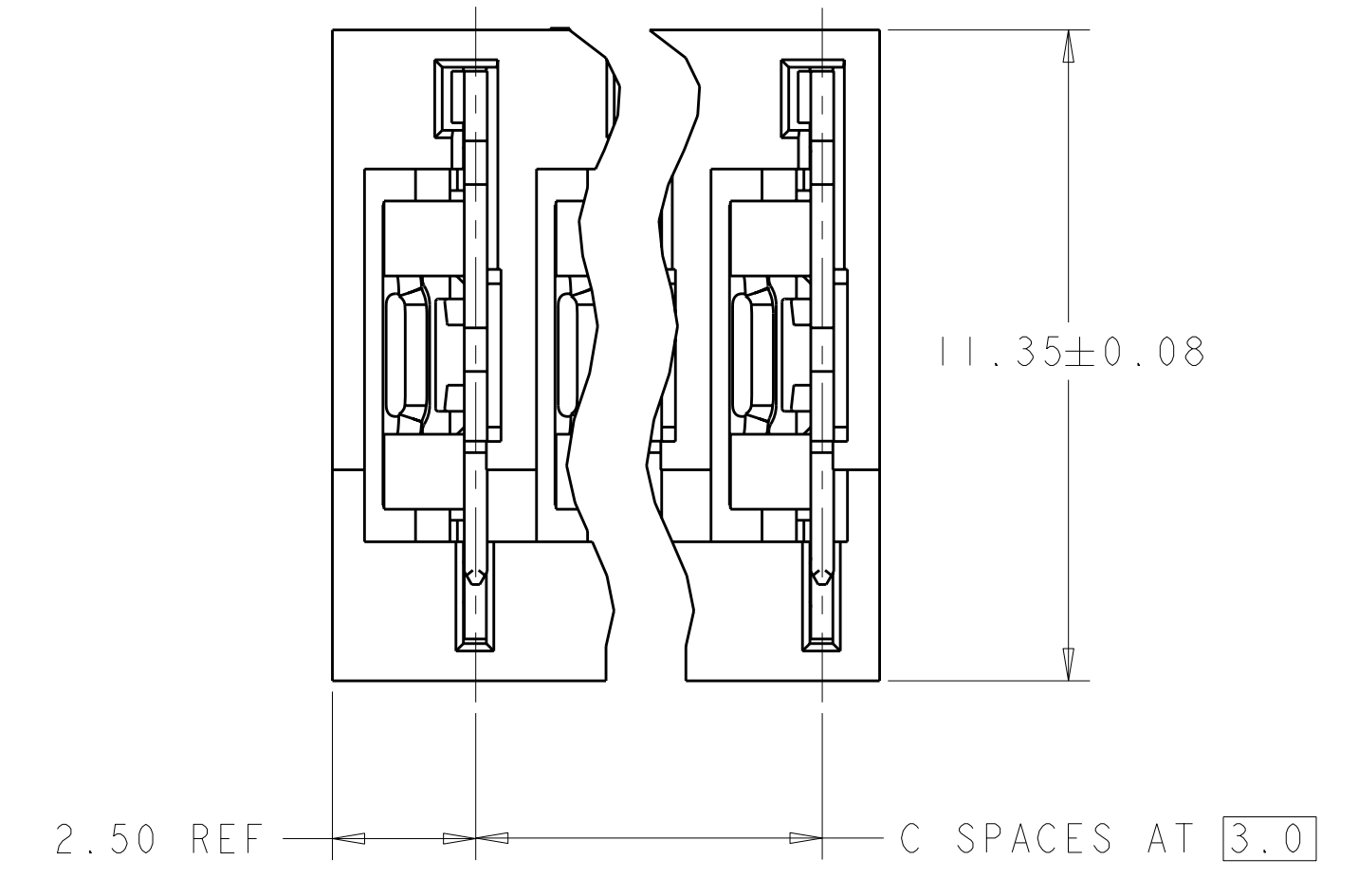
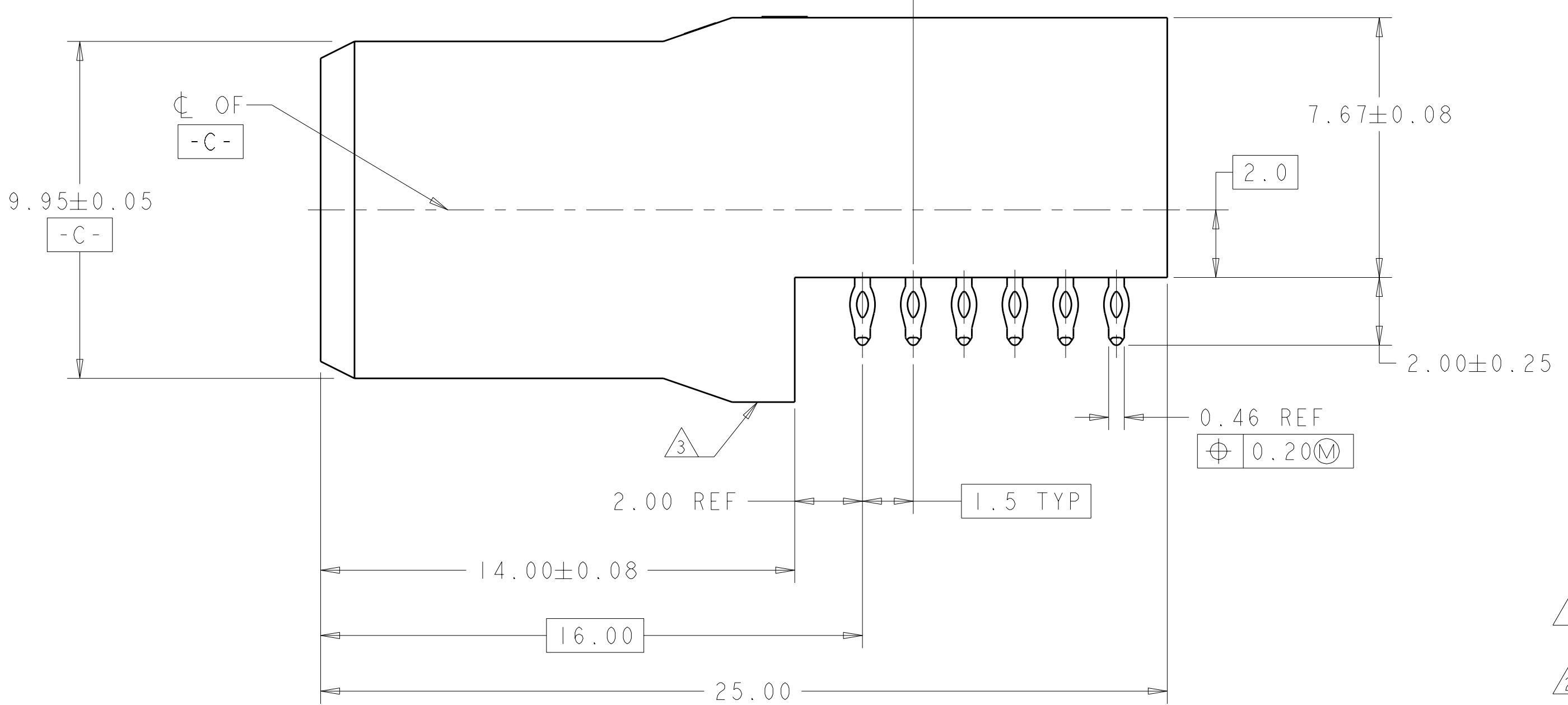
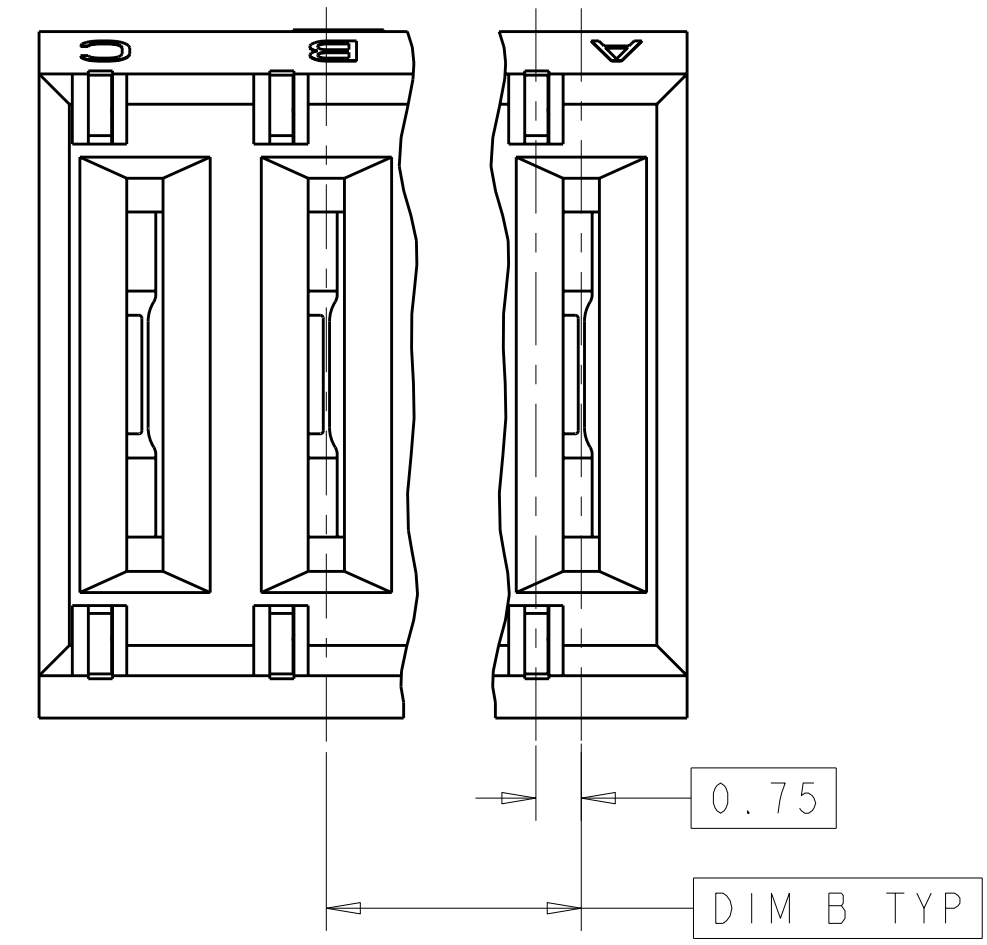


LOC	DIST	REVISIONS			
REV	DATE	DESCRIPTION	DATE	DWN	APVD
A1	12MAR2011	REVISED PER ECO-11-004917		RK	HMR



SCALE 6:1



RECOMMENDED PCB HOLE LAYOUT

- 1 HOUSING: POLYESTER, GRAY.
CONTACT: HIGH CURRENT COPPER ALLOY.
- 2 CONTACT MATING AREA: 1.27µm MIN GOLD PLATE,
ACTION PIN AREA, 0.5µm MIN MATTE TIN PLATE,
ALL OVER 1.27µm MIN NICKEL UNDERPLATE.
- 3 DATE CODE THIS APPROXIMATE AREA.
- 4 REFERENCE APPLICATION SPEC 114-1103 FOR RECOMMENDED
PLATED THRU HOLE DIAMETER & PLATING THICKNESSES.

54	8	12.0	27.50	9	120943-7
48	7	10.5	24.50	8	120943-6
42	6	9.0	21.50	7	120943-5
36	5	7.5	18.50	6	120943-4
30	4	6.0	15.50	5	120943-3
24	3	4.5	12.30	4	120943-2
18	2	3.0	9.50	3	120943-1
D	C	B	A	POSN	PART NUMBER

THIS DRAWING IS A CONTROLLED DOCUMENT.

DWN: B. CARBO 16JUN2005
 CHK: R. PATTERSON 16JUN2005
 APVD: R. PATTERSON 16JUN2005

STE TE Connectivity
 ASSEMBLY, RIGHT ANGLE, RECEPTACLE, UNIVERSAL POWER MODULE

DIMENSIONS: mm
 TOLERANCES UNLESS OTHERWISE SPECIFIED:
 9 PLC ±
 3 PLC ±0.13
 5 PLC ±
 4 PLC ±
 ANGLES ±
 FINISH ±

MATERIAL:
 FINISH:

WEIGHT: -
 CUSTOMER DRAWING

SIZE: A100779
 CAGE CODE: C=120943
 DRAWING NO: 120943

SCALE: 10:1
 SHEET: 1 OF 1
 REV: A1