

THIS DRAWING IS UNPUBLISHED. RELEASED FOR PUBLICATION
 © COPYRIGHT - By - ALL RIGHTS RESERVED.

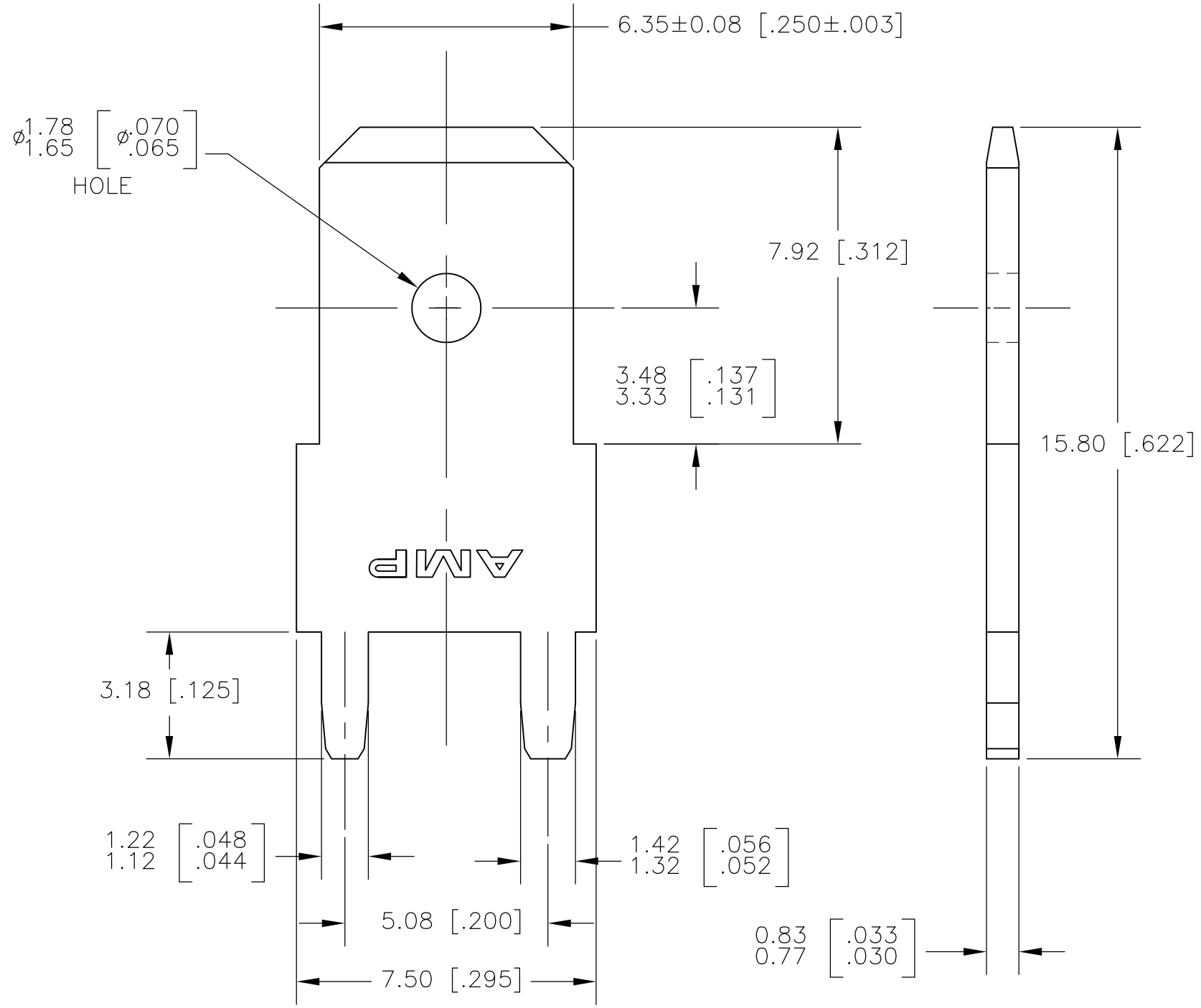
LOC	DIST	REVISIONS			
P	LTR	DESCRIPTION	DATE	DWN	APVD
AF	50	E1	REVISED PER ECR-14-007091	26MAY2014	NK PD

D

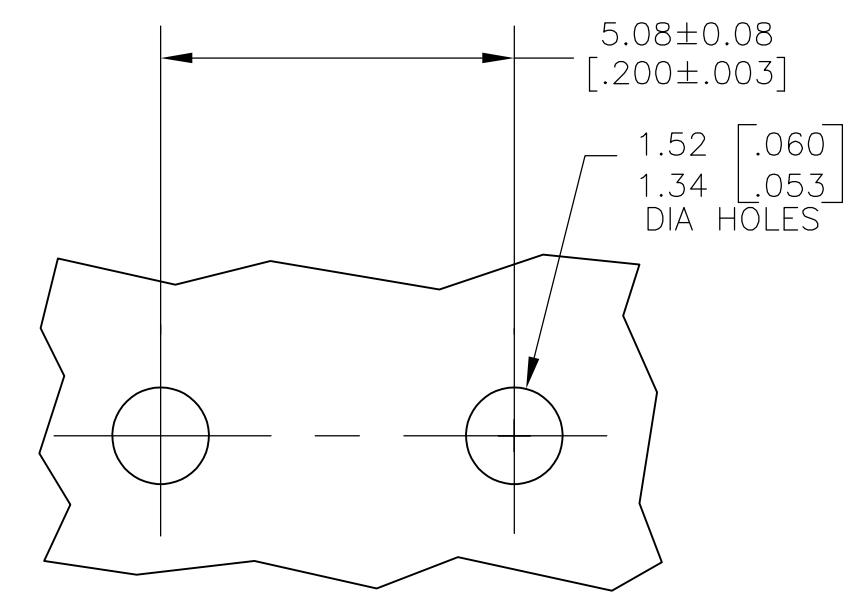
C

B

A



- 1 0.00381 [.000150] MIN TIN OVER
0.00254 [.000100] MIN THK COPPER.
- 2 CONTACT PITCH 10.67[.420] FOR STRIP
VERSION 1-1217056-0



P.C. BOARD HOLES
SCALE 10:1

STRIP	1-1217056-0
LOOSE PIECE	1217056-1
SUPPLYING CONDITION	PART NUMBER

THIS DRAWING IS A CONTROLLED DOCUMENT.		DWN	JR RUTH	20MAR01	 TE Connectivity
DIMENSIONS: mm[INCHES]		CHK	MS FEHER	20MAR01	
TOLERANCES UNLESS OTHERWISE SPECIFIED:		APVD	N DEIBERT	20MAR01	
0 PLC ± - 1 PLC ± - 2 PLC ± 0.38 [.015] 3 PLC ± - 4 PLC ± - ANGLES ± -		PRODUCT SPEC	NAME		
MATERIAL	BRASS	FINISH			TAB, FASTON, PC BOARD, 6.35 [.250] SERIES
WEIGHT		-		SIZE	A3
CUSTOMER DRAWING		CAGE CODE	00779	DRAWING NO	C-1217056
SCALE		8:1		SHEET	1 OF 1
REV		E1		RESTRICTED TO	