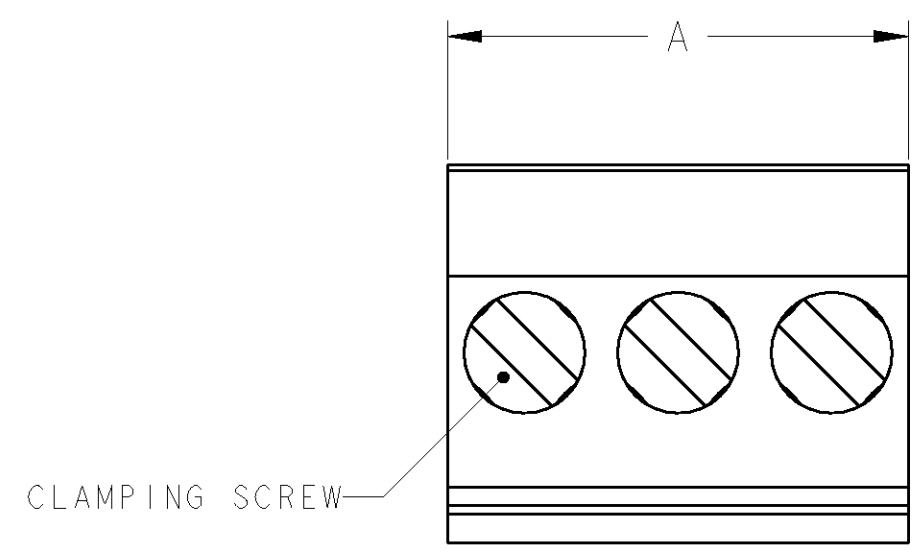
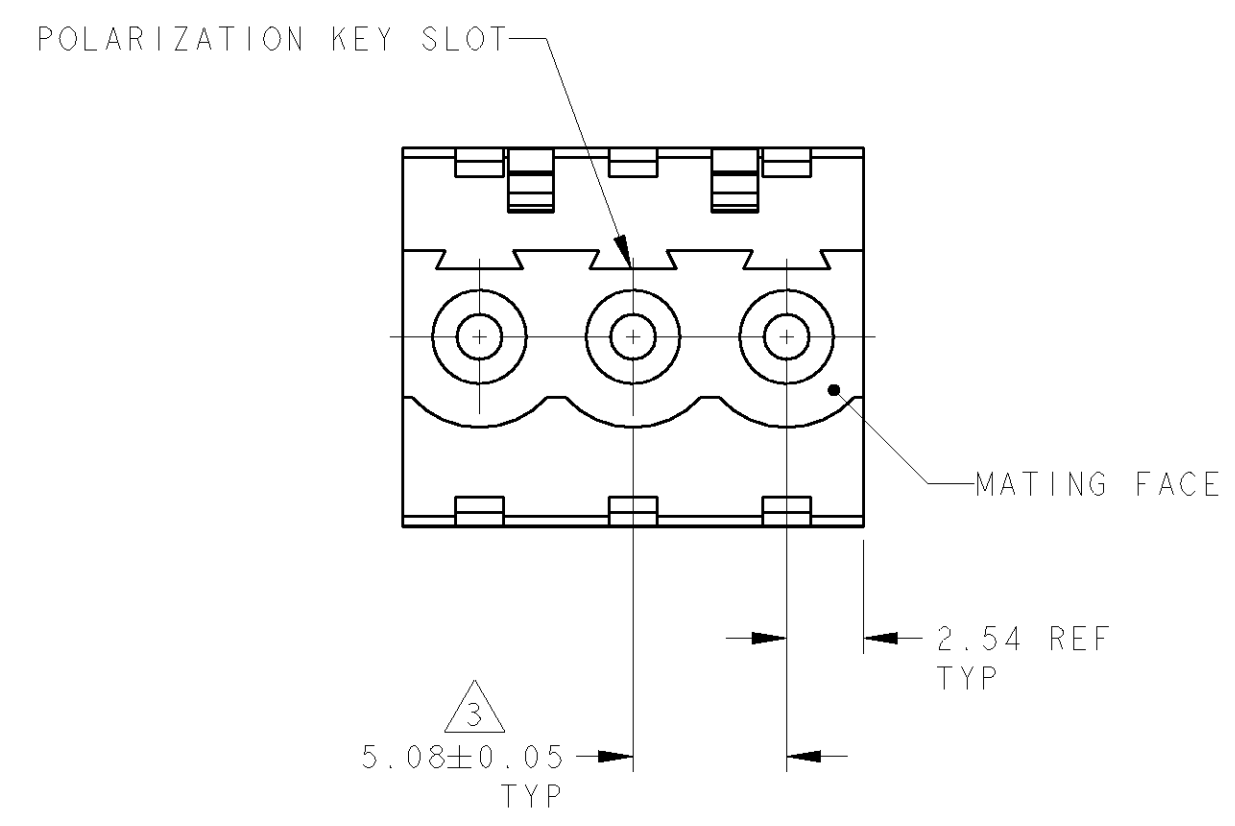
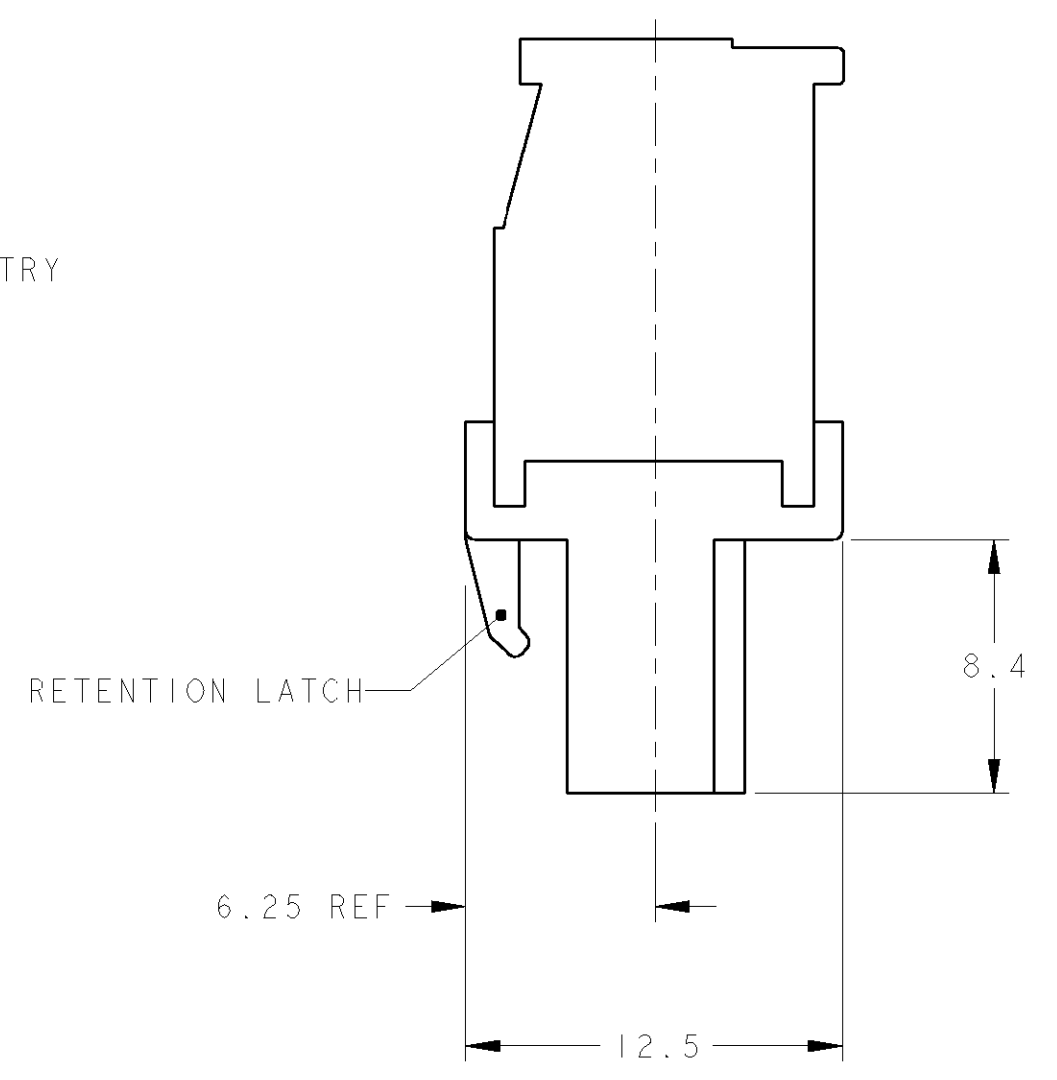
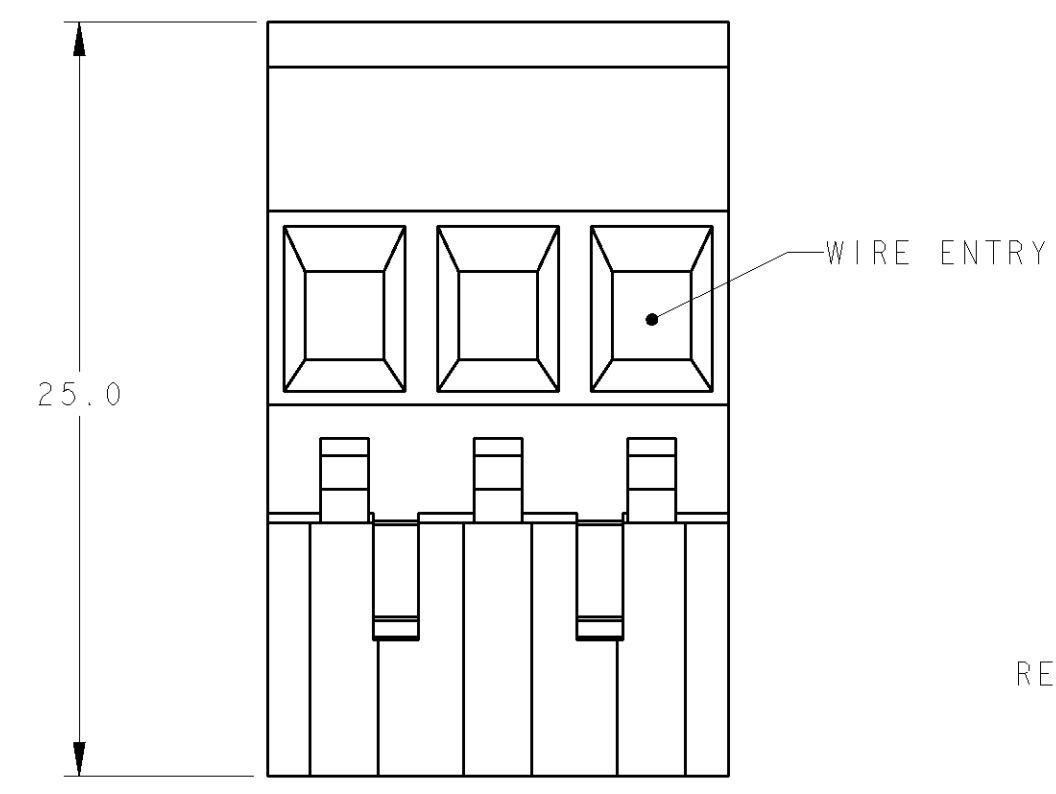


THIS DRAWING IS UNPUBLISHED. RELEASED FOR PUBLICATION 20  
 © COPYRIGHT 20 BY TYCO ELECTRONICS CORPORATION. ALL RIGHTS RESERVED.

LOC	DIST	REVISIONS					
FT	0	P	LTR	DESCRIPTION	DATE	DWN	APVD
		C		REVISED EC 0G3B-0400-03	03JUN2003	SW	CR
		D		REVISED EC 0G3B-0628-03	01AUG2003	SW	CR
		E		REVISED EC 0G3B-0045-04	25FEB2004	SW	CR



- 1 MATERIALS AND FINISH  
 HOUSING: PA 6-6, UL 94-V0, COLOR: GREEN.  
 CLAMP: BRASS, NICKEL PLATED.  
 CONTACT SPRING : PHOSPHOR BRONZE, TIN PLATED.  
 CLAMPING SCREW: M3, BRASS, NICKEL PLATED.
- 2. WIRE SIZE RANGE: 12 - 30 AWG
- 3 NOT CUMULATIVE TOLERANCE.
- 4 CHARACTERS MARKED IN PERMANENT WHITE COLOR.



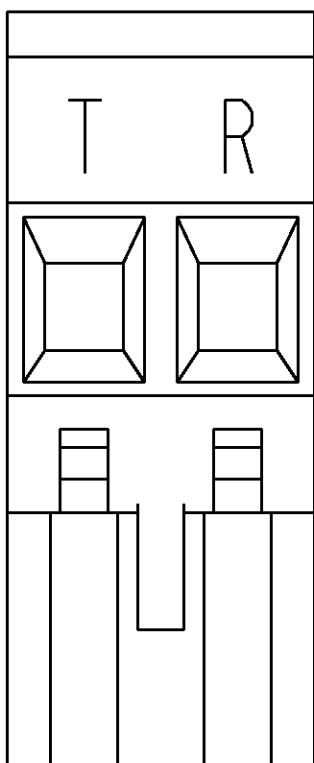
SEE DETAIL N	24.40	5	2-284047-8
SEE DETAIL M	20.32	4	2-284047-7
SEE DETAIL L	10.16	2	2-284047-6
-	127.00	25	2-284047-5
-	121.92	24	2-284047-4
-	116.84	23	2-284047-3
-	111.76	22	2-284047-2
-	106.68	21	2-284047-1
-	101.60	20	2-284047-0
-	96.52	19	1-284047-9
-	91.44	18	1-284047-8
-	86.36	17	1-284047-7
-	81.28	16	1-284047-6
-	76.20	15	1-284047-5
-	71.12	14	1-284047-4
-	66.04	13	1-284047-3
-	60.96	12	1-284047-2
-	55.88	11	1-284047-1
-	50.80	10	1-284047-0
-	45.72	9	284047-9
-	40.64	8	284047-8
-	35.56	7	284047-7
-	30.48	6	284047-6
-	24.40	5	284047-5
-	20.32	4	284047-4
-	15.24	3	284047-3
-	10.16	2	284047-2

MARKING	A	NO OF POSN	PART NUMBER
DWN	S. WELDON	05FEB2003	<b>BUCHANAN</b> Tyco Electronics Harrisburg, PA 17105-3608
CHK	C. RICHARD	05FEB2003	
APVD	C. RICHARD	05FEB2003	
PRODUCT SPEC	-	-	
APPLICATION SPEC	-	-	NAME: TERMINAL BLOCK, VERTICAL PLUG, STACKING, RIGHT HAND, 5.08mm PITCH
WEIGHT	-	-	SIZE: A2 CAGE CODE: 00779 DRAWING NO: 284047 RESTRICTED TO: -
CUSTOMER DRAWING			SCALE: 4:1 SHEET 1 OF 2 REV E

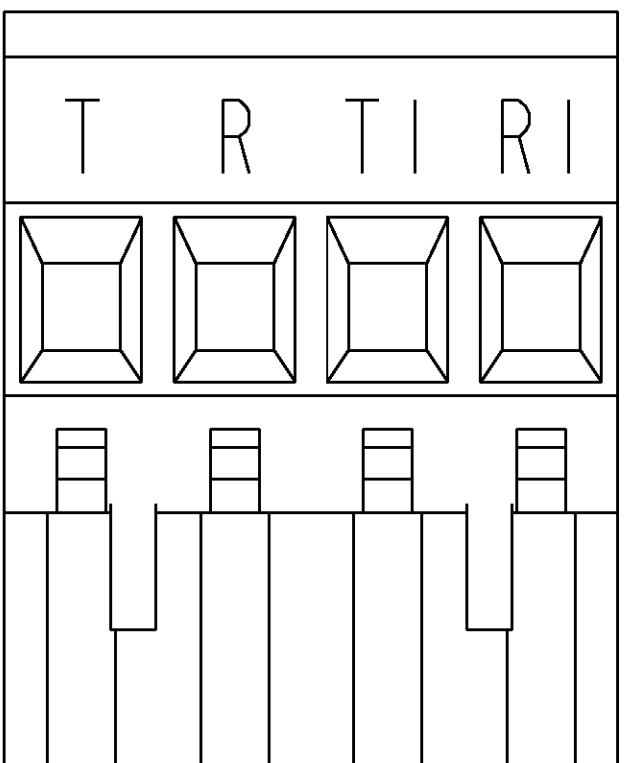
DIMENSIONS:		TOLERANCES UNLESS OTHERWISE SPECIFIED:	
mm		0 PLC	±.3
		1 PLC	±.25
		2 PLC	±.25
		3 PLC	±.25
		4 PLC	±.25
		ANGLES	±2
		FINISH	

THIS DRAWING IS UNPUBLISHED.      RELEASED FOR PUBLICATION      20  
 © COPYRIGHT 20      BY TYCO ELECTRONICS CORPORATION. ALL RIGHTS RESERVED.

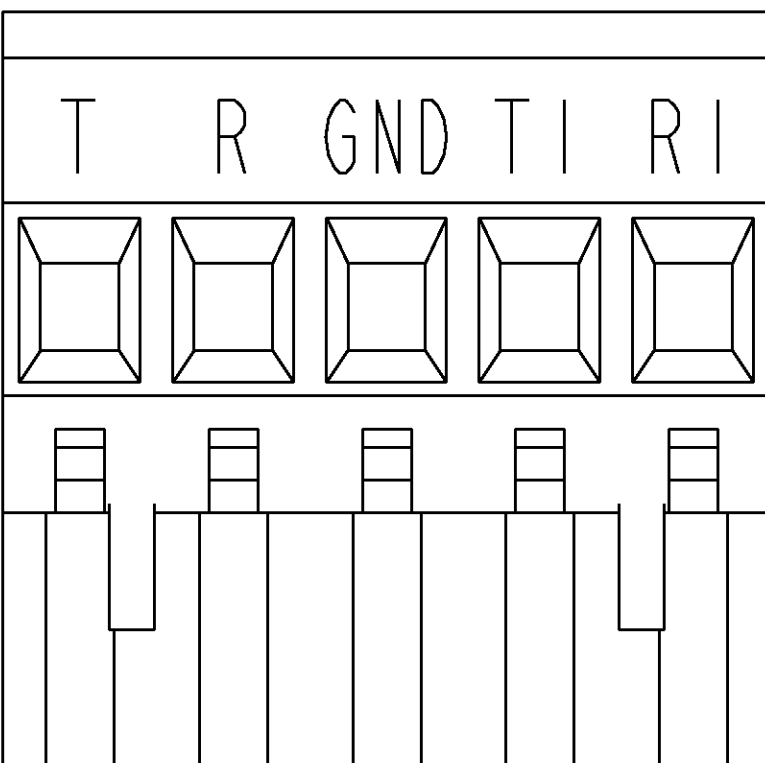
LOC	DIST	REVISIONS			
P	LTR	DESCRIPTION	DATE	DWN	APVD
FT	0	-	SEE SHEET 1	-	-



SEE DETAIL L  
 ▲



SEE DETAIL M  
 ▲



SEE DETAIL N  
 ▲

<small>THIS DRAWING IS A CONTROLLED DOCUMENT FOR TYCO ELECTRONICS CORPORATION          IT IS SUBJECT TO CHANGE AND THE CONTROLLING ENGINEERING ORGANIZATION          SHOULD BE CONTACTED FOR THE LATEST REVISION.</small>		DWN S. WELDON 05FEB2003 CHK C. RICHARD 05FEB2003 APVD C. RICHARD 05FEB2003	Tyco Electronics Harrisburg, PA 17105-3608	
DIMENSIONS: mm	TOLERANCES UNLESS OTHERWISE SPECIFIED: 0 PLC ±.3 1 PLC ±.3 2 PLC ±.25 3 PLC ±. 4 PLC ±. ANGLES ±2 FINISH	PRODUCT SPEC - APPLICATION SPEC - WEIGHT -	NAME TERMINAL BLOCK, VERTICAL PLUG, STACKING, RIGHT HAND, 5.08mm PITCH	
MATERIAL -	CUSTOMER DRAWING	SIZE A2 CAGE CODE 00779 DRAWING NO. C-284047	RESTRICTED TO -	SCALE 4:1    SHEET 2 OF 2    REV E