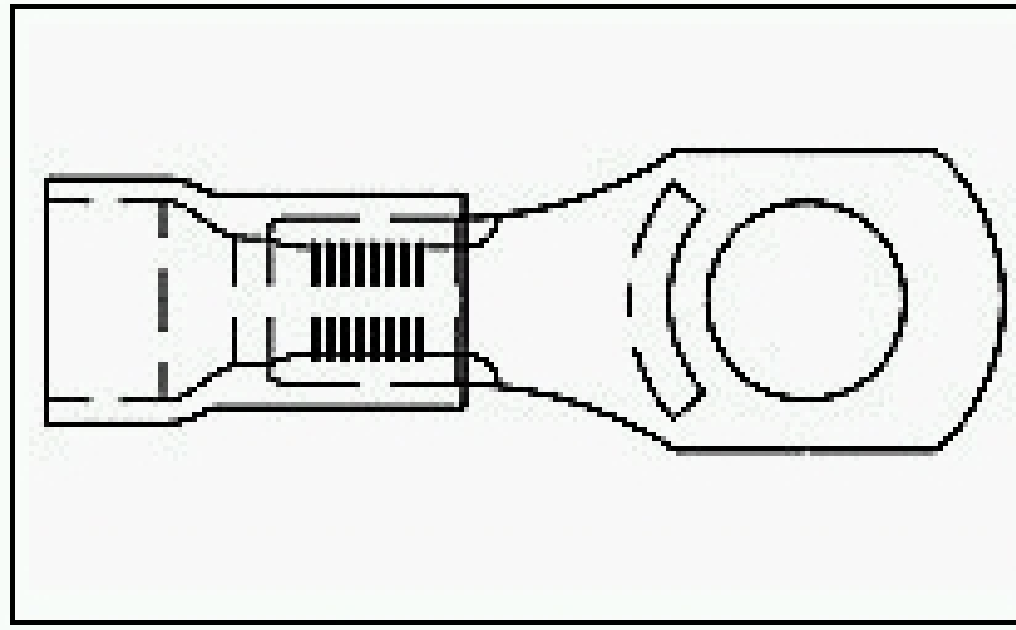


## 130446 Product Details

[Live Product Chat](#)



**130446**

TE Part Number: 130446

[Active](#)

[Add to Part List](#)

### Ring and Spade Tongue Terminals

[Always EU RoHS/ELV Compliant \(Statement of Compliance\)](#)

#### Product Highlights:

- Terminal Shape = Ring Tongue
- Receptacle Style = Straight
- Body Style = PIDG
- Barrel Type = Closed Barrel
- Wire/Cable Type = Regular Wire

[View all Features](#) | [Find Similar Products](#)

#### Quick Links

- ▶ [Check Pricing & Availability](#)
- ▶ [Search for Tooling](#)
- ▶ [Product Feature Selector](#)
- ▶ [Contact Us About This Product](#)
- ▶ [Request Samples](#)

**NEW!**

### Documentation & Additional Information

#### Product Drawings:

- [TERMINAL RING TONGUE, PIDG, WIRE SIZE 12-10 \(PDF, English\)](#)

#### Catalog Pages/Data Sheets:

- None Available

#### Product Specifications:

- None Available

#### Application Specifications:

- None Available

#### Instruction Sheets:

- None Available

#### CAD Files:

- None Available

#### Additional Information:

- [Product Line Information](#)

#### Related Products:

- [Tooling](#)

[List all Documents](#)

### Product Features (Please use the Product Drawing for all design activity)

#### Product Type Features:

- [Terminal Shape](#) = Ring Tongue
- [Receptacle Style](#) = Straight
- [Body Style](#) = PIDG
- [Barrel Type](#) = Closed Barrel
- [Wire/Cable Type](#) = Regular Wire
- [Insulation](#) = Yes
- [Insulation Support](#) = Insulation Support
- [Insulation Diameter \(mm \[in\]\)](#) = 3.81-6.35 [.150-.250]
- Stud Size = 8
- [Stud Diameter \(mm \[in\]\)](#) = 4.34 [0.171]
- [Shape](#) = RING-061
- [Heavy Duty](#) = No
- [Material](#) = Copper
- [Finish](#) = Tin
- Tongue Material Thickness (mm [in]) = 0.99 [0.039]
- Color = Yellow
- Insulation Material = Nylon

#### Body Related Features:

- [Wire Range \(mm \[AWG\]\)](#) = 3.00-6.00<sup>2</sup> [12-10]
- Wire Range (CMA) = 5,180 - 13,100

#### Industry Standards:

- Government/Industry Qualification = No
- [RoHS/ELV Compliance](#) = RoHS compliant, ELV compliant
- [Lead Free Solder Processes](#) = Not relevant for lead free process
- RoHS/ELV Compliance History = Always was RoHS compliant

#### Packaging Related Features:

- [Packaging Method](#) = Loose Piece

#### Other:

- Brand = AMP