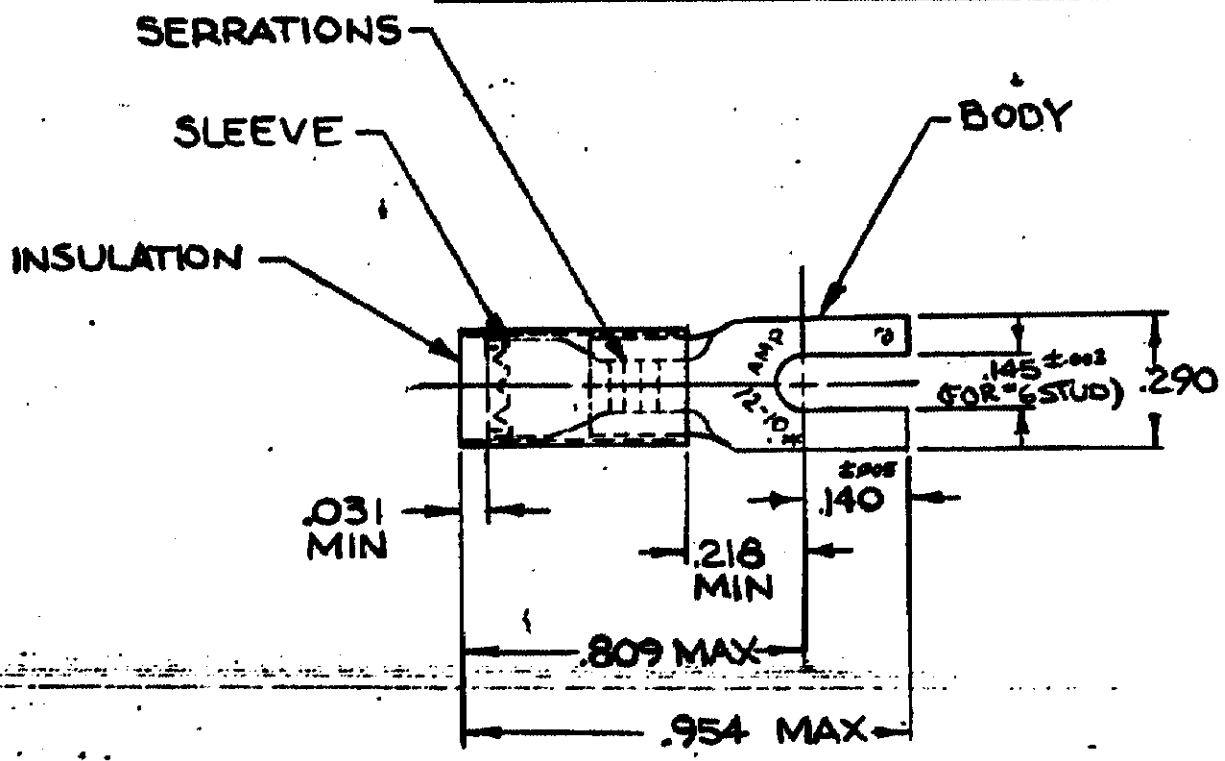


DRAWING MADE IN AMERICAN PROJECTOR

LOC **G** (141) DIST

© 1960 BY AMP INCORPORATED. ALL RIGHTS RESERVED. AMP PRODUCTS COVERED BY PATENTS AND/OR PATENTS PENDING.

REVISIONS				
LT#	DESCRIPTION	DATE	APPROVED	
A	REDRAWN & REV. P-6080	MM 58-70	<i>Vme</i>	
B	ADDED TAPE NO. 1-322985-0	FE 58-71	<i>SB F</i>	
C	REV PER G-4732	JT 7/2/78	<i>PT</i>	
D	REV/ 0720-0060-93	4-6-93	<i>TO/ml</i>	



TONGUE MATERIAL THK = .040 ±.002 FOR .150 TO .230 WIRE INSULATION DIA

50	LOOSE PC, BOX	8-322985-2	
	322985 ON TAPE	1-322985-0	BODY: COPPER (QQ-C-576) TIN PL (MIL-T-10727)
	WIRE TERMINAL	322985	SLEEVE: COPPER (QQ-C-576) INSULATION: NYLON COLOR: YELLOW
QTY	DESCRIPTION	PART NO.	MATERIAL & FINISH

UNLESS OTHERWISE SPECIFIED DIMENSIONS ARE IN INCHES  
TOLERANCES ON DECIMALS  
ANGLES

MATERIAL  
**SEE TABLE**

CONTRACT NO. 4  
DR. W. M. Miller 5-8-70  
CHK. W. Cunningham  
APPD. W. Miller 5-11-70  
REL. W. Miller 5-11-70  
DSGN APPD.  
OTHER APPD.

**AMP** AMP INCORPORATED  
HARRISBURG, PENNSYLVANIA

NAME: **WIRE TERMINAL**  
**P.I.D.G - SPADE**  
**WIRE SIZE: 12-10**

SIZE: **A** CODE IDENT NO.: **00779** NUMBER: **322985**

SCALE: **NTS** SHEET: **1 OF 1**