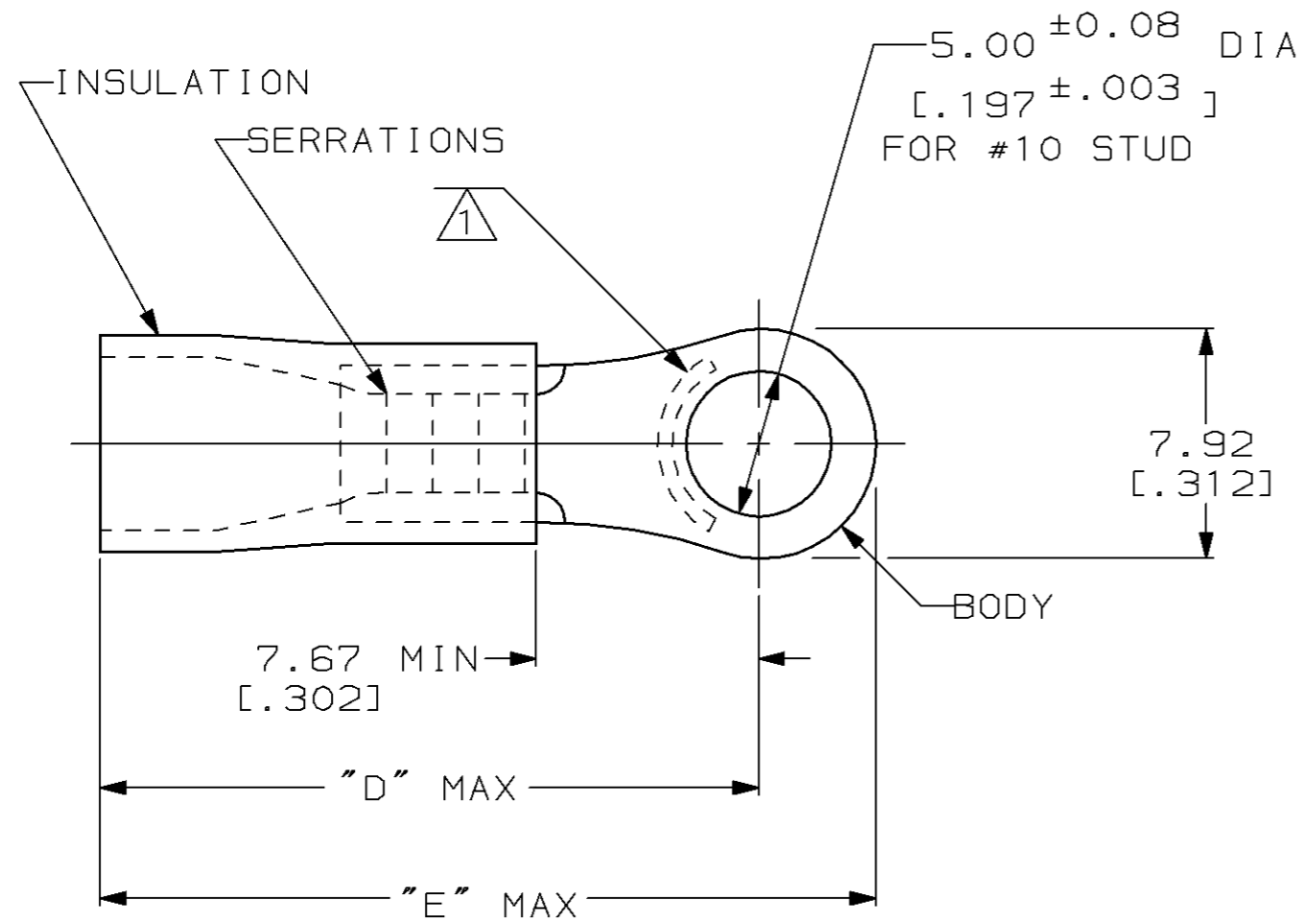


THIS DRAWING IS UNPUBLISHED. RELEASED FOR PUBLICATION, 19 .  
 © COPYRIGHT 19 BY AMP INCORPORATED. ALL INTERNATIONAL RIGHTS RESERVED.

LOC	DIST	P	F	REVISIONS				
G	14			ZONE	LTR	DESCRIPTION	DATE	APPD
					J	REV / 0G10-0136-98	21OCT98	ME SB

<b>AMP</b> WIRE RANGE	<b>UL</b> Listed	<b>SR</b> LR7189 Certified
12-10 AWG SOLID OR STRANDED	12-10 AWG SOLID OR STRANDED	12-10 AWG SOLID OR STRANDED



- 1 STAMP AMP 12-10\* APPROX AS SHOWN
- 2 TONGUE MATERIAL THK: 0.99 ± 0.05 [.039 ± .002]

28.00 [1.111]	24.21 [.953]	6.35-7.62 [.250-.300]	500	LOOSE PIECE	1-330518-1
			1500	ON TAPE, REEL	1-330518-2
26.72 [1.052]	22.68 [.893]	3.81-5.84 [.150-.230]	500	LOOSE PIECE	330518
"E"	"D"	WIRE INSULATION DIA	QTY	PACKAGE TYPE	PART NUMBER

**AMP INCORPORATED  
 CUSTOMER SERVICE SYSTEMS**

FOR ADDITIONAL PRODUCT INFORMATION OR COPIES OF DRAWINGS AND TECHNICAL DOCUMENTS	PRODUCT INFORMATION CENTER 1-800-522-6752
FOR APPLICATION TOOLING INFORMATION	TOOLING ASSISTANCE CENTER 1-800-722-1111
FOR ORDER ENTRY	1-800-526-5142

MAX RECOMMENDED OPERATING  
 TEMPERATURE:  
 90°C MAX

VOLTAGE RATING:  
 NOT APPLICABLE

CIRCULAR MIL AREA:  
 2.62-6.64mm<sup>2</sup> [5,180-13,100]  
 SOLID OR STRANDED

DO NOT SCALE PRINT.  
 UNLESS SPECIFIED  
 DIMENSIONS IN mm [INCHES]  
 TOLERANCES ON:  
 2 PLC DEC ± 0.20 [.008]  
 3 PLC DEC ± -  
 ANGLES ± -

MATERIAL  
 COPPER PER ASTM B-152  
 PVC, COLOR, YELLOW

FINISH  
 TIN PLATE  
 PER ASTM B 545

DR 08/06/92 OK SCHRUM
CHK 11/10/92 RE HERSEY
APPD 11/10/92 ML ELLIS
APPD 11/10/92 M BARNABA
PRODUCT SPEC UL 486A
APPLICATION SPEC NOT AVAILABLE
WEIGHT -

**AMP** AMP Incorporated  
 Harrisburg, PA 17105-3608

NAME  
 TERMINAL, RING TONGUE, PLASTI-GRIP™  
 WIRE SIZE, 12-10 AWG

SIZE B	CAGE CODE 00779	DRAWING NO C-330518
SCALE 4:1	SHEET 1 OF 1	