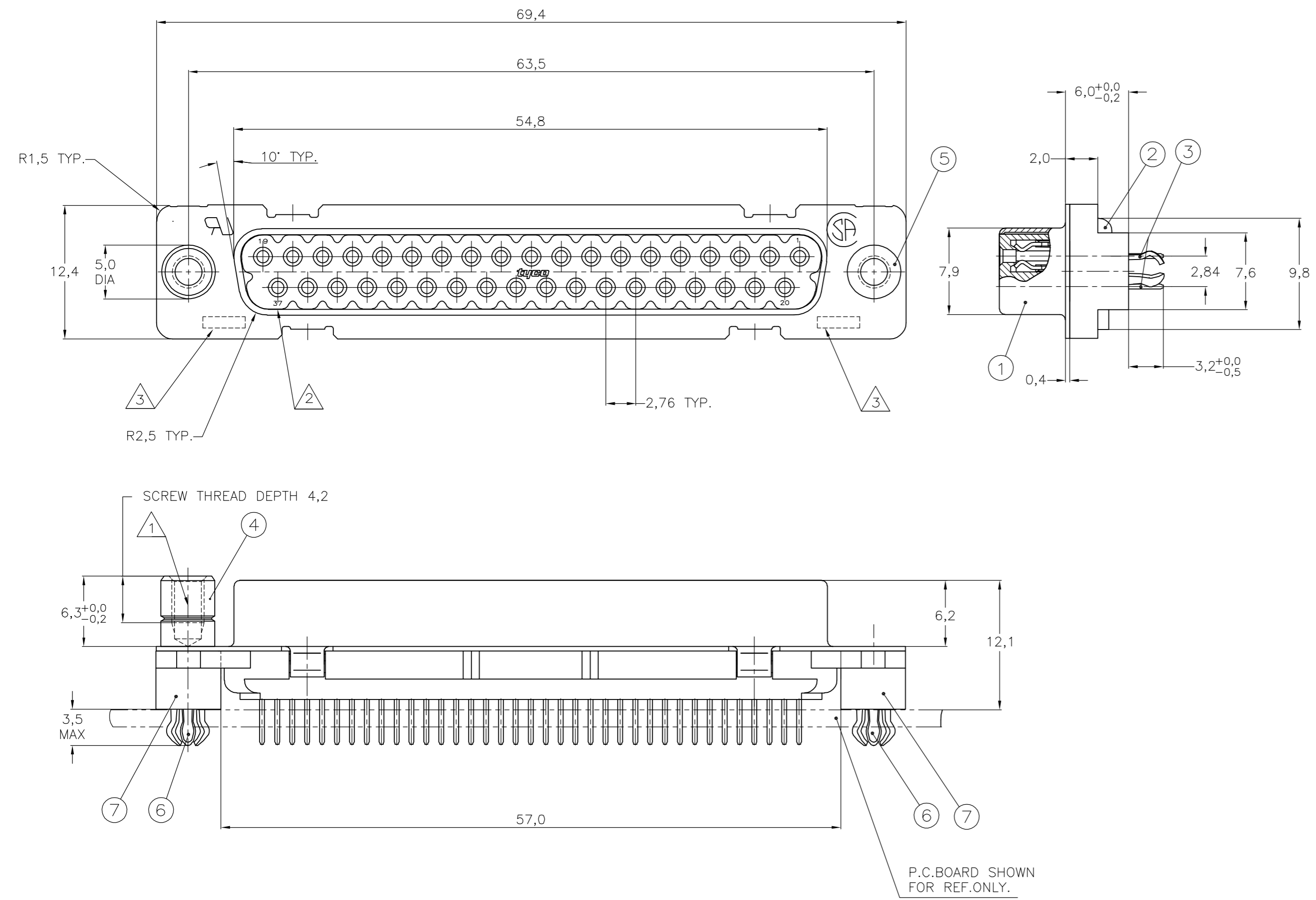


THIS DRAWING IS UNPUBLISHED. RELEASED FOR PUBLICATION
 © COPYRIGHT BY TYCO ELECTRONICS CORPORATION. ALL RIGHTS RESERVED.

LOC	DIST	REVISIONS					
		P	LTR	DESCRIPTION	DATE	DWN	APVD
H	-		C	EH-0033-99	21-01-99	D.K	WS
			D	EH-1417-99	19-02-00	P.W	WC
			E	ECR-06-011911	22-05-06	BSV	DC



ACCESSORIES PREFIX "Z"	ITEM NO	DESCRIPTION OF ACCESSORY	1	2	3	4	5	6	7	8	9
5		BUSHING WITH THROUGHHOLE 3,1 DIA.									
5		BUSHING WITH THREAD 4-40 UNC		2							
5		BUSHING WITH THREAD M3		2							
4		FEMALE SCREWLOCK WITH THREAD 4-40 UNC			2						
4		FEMALE SCREWLOCK WITH THREAD M3			2						
6		BOARDLOCK		2	2	2	2				

HOW TO ORDER:

37 POS.-----> Z-338316-Y

PREFIX FOR ACCESSORIES }
 BASIC PARTNR. }
 SUFFIX FOR PLATING }

1 - XXXXXX-Y
 2 - XXXXXX-Y
 3 - XXXXXX-Y
 4 - XXXXXX-Y
 5 - XXXXXX-Y
 6 - XXXXXX-Y
 7 - XXXXXX-Y
 8 - XXXXXX-Y
 9 - XXXXXX-Y

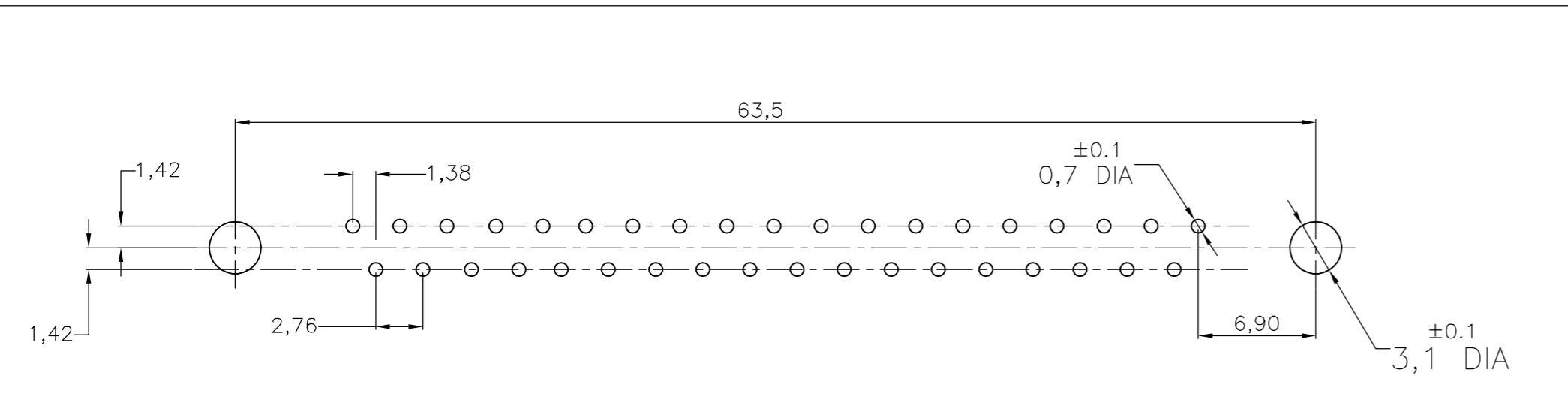
PLATING SUFFIX "Y"

GOLD OVER NICKEL AS PER PERFORMANCE LEVEL 2 (DIN 41652) } -Y = -2
 SOLDER-PART : TIN-PLATING 3µm.

- 1 GROOVE INDICATES VERSION WITH 4-40 UNC INNER THREAD; WITHOUT GROOVE INDICATES VERSION WITH M3 INNER THREAD.
- 2 CAVITY IDENTIFICATION AT FRONT SIDE ONLY.
- 3 PARTNUMBER AND DATE CODE.
- 4 WHEN BOARDLOCKS ARE USED, CONNECTOR CAN BE USED FOR PCB THICKNESS OF 1,6 mm ONLY.

- ITEM NRS./MATERIAL :**
- 1 SHELL = BRIGHT TINPLATED STEEL
 - 2 HOUSING = GLASSFILLED POLYESTER, COLOR : BLACK
 - 3 CONTACTS = PHOSPHORBRONZE (PLATING : SEE TABLE ABOVE)
 - 4 FEMALE SCREWLOCK = TINPLATED STEEL (INNER THREAD 4-40 UNC OR M3)
 - 5 BUSHING = TINPLATED STEEL (INNER THREAD 4-40 UNC OR M3 OR 3,1 DIA. THROUGHHOLE)
 - 6 BOARDLOCK = TINPLATED PHOSPHORBRONZE
 - 7 STAND OFF = ULTRAMID V0 COLOR : BLACK

RECOMMENDED P.C. BOARD HOLE-LAYOUT



THIS DRAWING IS A CONTROLLED DOCUMENT.		DWN	01JUL97	tyco Electronics	Tyco Electronics Corporation s-HertogenBosch, Nederland,	
DIMENSIONS: MM		CHK	09SEP97		NAME	
TOLERANCES UNLESS OTHERWISE SPECIFIED:		C.SOUISA		HDP-20 SIZE 4		
0 PLC ± -		APVD		VERTICAL+ RECEPTACLE HEADER; WITH SOLDER CONTACTS		
1 PLC ± -		E.LEIJTENS		DRAWING NO		
2 PLC ± -		PRODUCT SPEC		RESTRICTED TO		
3 PLC ± -		APPLICATION SPEC		SIZE		
4 PLC ± -		-		CAGE CODE		
ANGLES ± -		-		DRAWING NO		
FINISH		-		SCALE		
-		-		SHEET 1 OF 1		
-		-		REV E		

CUSTOMER DRAWING A2 00779 C=338316