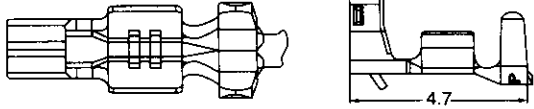


Wire to Board Connectors

Mini CT (Common Termination) Connector System

Crimp Type Connectors

Receptacle Contact

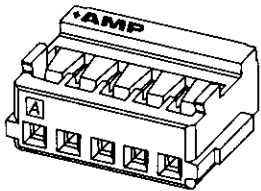
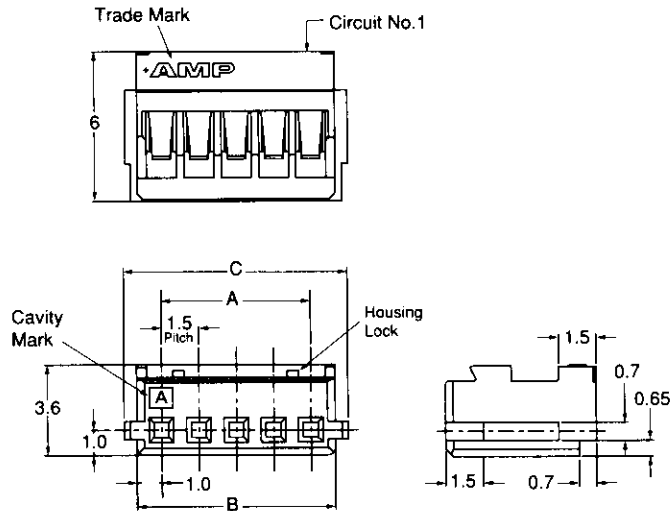


Wire Size		Wire Ins. Dia.	Part No.	
AWG#	mm ²	ø (mm)	S.T.	L.P.
24~28	0.08~0.20	0.85~1.03	353907-1	353918-1

Material and Finish : Phosphor bronze, tin plated
Hand Tool Part No. : 1729069-1

Receptacle Housing

Material : UL94V-0 rated,
66 nylon, white and
blue



No. of Pos.	Dimensions			Part No. of Receptacle Housing	
	A	B	C	White	Blue
2	1.5	3.5	4.5	353908-2	6-353908-2
3	3.0	5.0	6.0	353908-3	6-353908-3
4	4.5	6.5	7.5	353908-4	6-353908-4
5	6.0	8.0	9.0	353908-5	6-353908-5
6	7.5	9.5	10.5	353908-6	6-353908-6
7	9.0	11.0	12.0	353908-7	6-353908-7
8	10.5	12.5	13.5	353908-8	6-353908-8
9	12.0	14.0	15.0	353908-9	6-353908-9
10	13.5	15.5	16.5	1-353908-0	7-353908-0
11	15.0	17.0	18.0	1-353908-1	7-353908-1
12	16.5	18.5	19.5	1-353908-2	7-353908-2
13	18.0	20.0	21.0	1-353908-3	7-353908-3
14	19.5	21.5	22.5	1-353908-4	7-353908-4
15	21.0	23.0	24.0	1-353908-5	7-353908-5
16	22.5	24.5	25.5	1-353908-6	7-353908-6
17	24.0	26.0	27.0	1-353908-7	7-353908-7
18	25.5	27.5	28.5	1-353908-8	7-353908-8
19	27.0	29.0	30.0	1-353908-9	7-353908-9
20	28.5	30.5	31.5	2-353908-0	8-353908-0

4