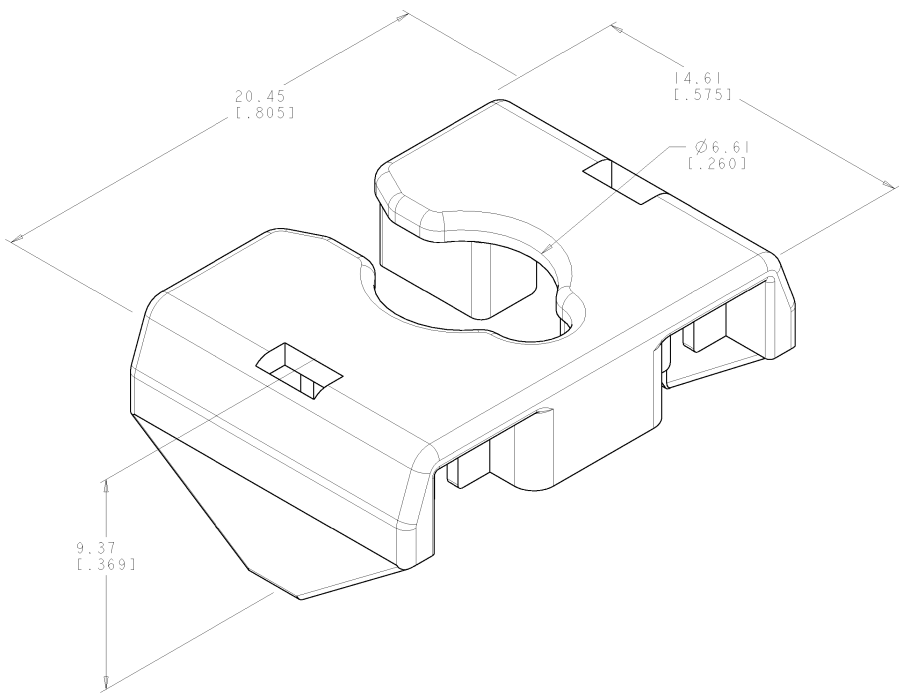


| REV                      | DATE      | BY | APPD |
|--------------------------|-----------|----|------|
| 0                        | 30OCT2001 | LS | CD   |
| REVISIONS                |           |    |      |
| DESCRIPTION              |           |    |      |
| RLSD PER EC 0840-0252-01 |           |    |      |



- △ MATERIAL - POLYCARBONATE, CLEAR.
- △ DIMENSIONS ARE MAXIMUM UNLESS OTHERWISE NOTED.
- △ PACKAGE 25 STRAIN RELIEFS PER POLYBAG.

|          |           |
|----------|-----------|
| △        | 1375157-1 |
| PACKAGED | PART NO.  |

|                            |  |                                   |  |  |  |
|----------------------------|--|-----------------------------------|--|--|--|
| DIMENSIONS:<br>MM (INCHES) |  | OPERATING TEMPERATURE:<br>°C (°F) |  | DWN: 30OCT2001<br>CH: SMITH<br>APPD: HALL<br>DATE: 30OCT2001 | tyco<br>Electronics<br>Tyco Electronics<br>Harrisburg, PA 17105-3808 |
| DIMENSIONS:<br>MM (INCHES) |  | OPERATING TEMPERATURE:<br>°C (°F) |  | PRODUCT SPEC:<br>APPLICATION SPEC:<br>WEIGHT:                | STRAIN RELIEF<br>-<br>-<br>-   |
| MATERIAL:                  |  | FINISH:                           |  | SHEET: A2<br>CASE CODE: 00779<br>DRAWING NO: 1375157         | RESTRICTED TO:<br>-  |
| CUSTOMER DRAWING           |  |                                   |  | SCALE: 0:1   | SHEET 1 OF 1<br>REV 0  |