

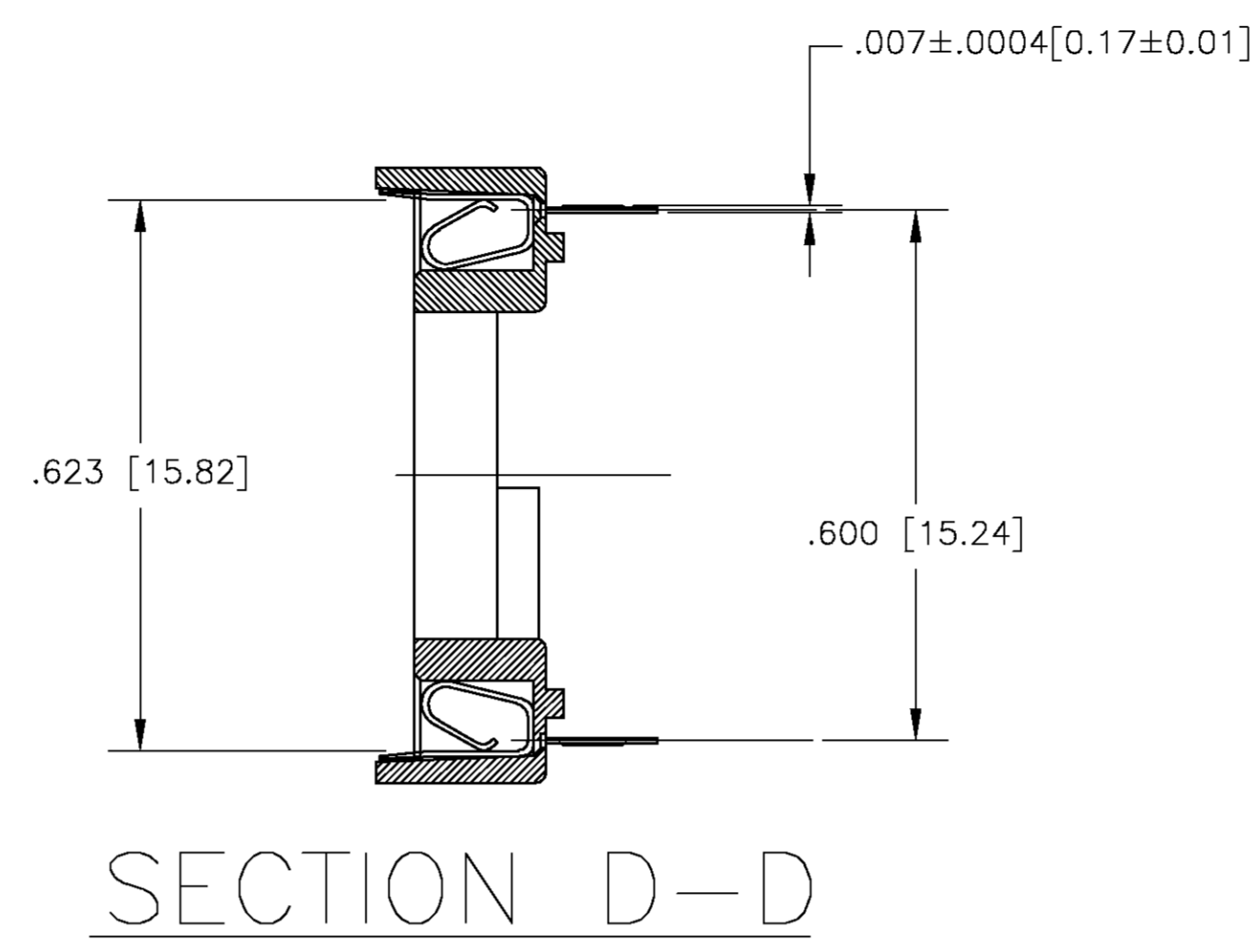
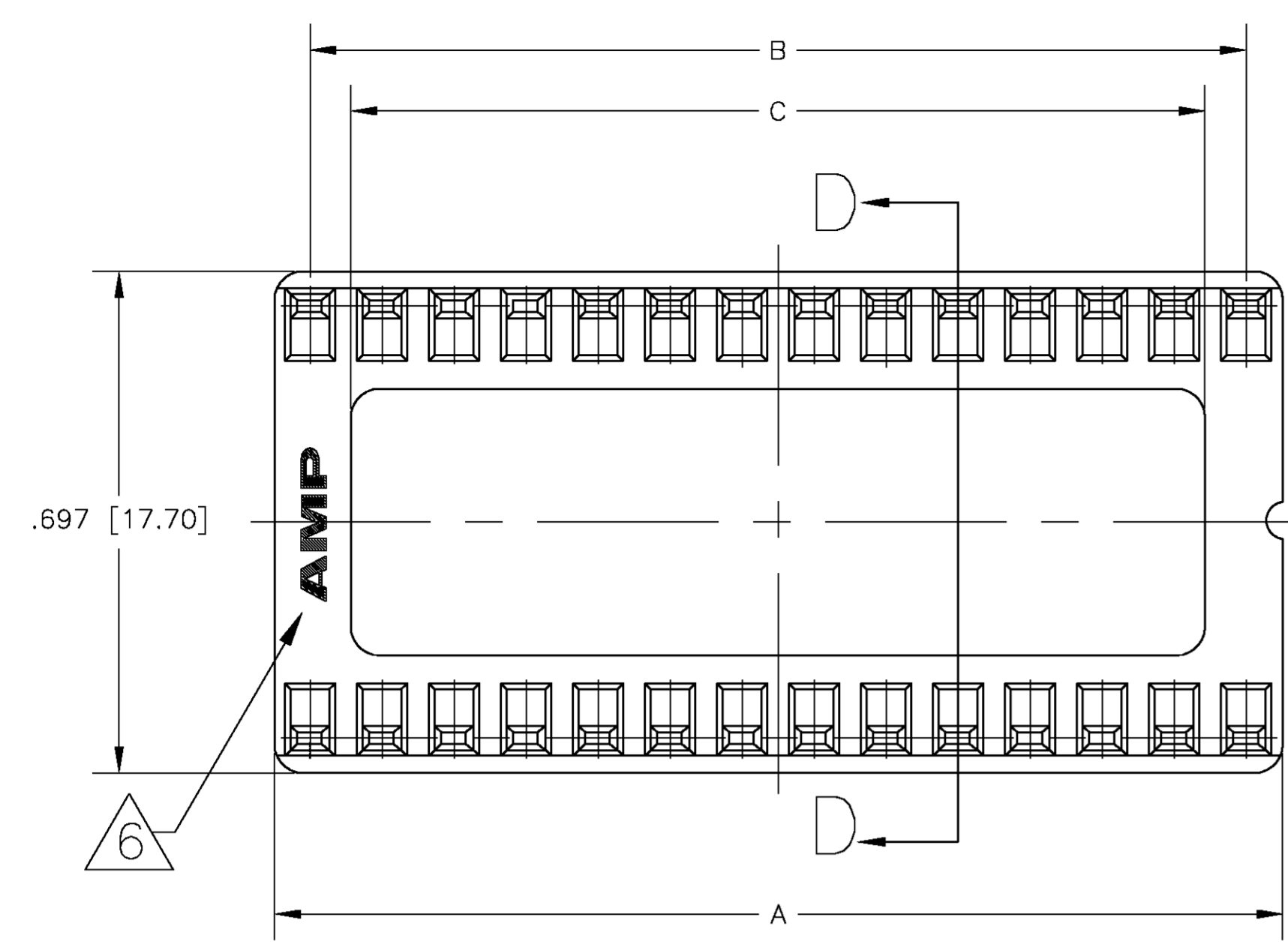
Distributed by:



www.Jameco.com ♦ 1-800-831-4242

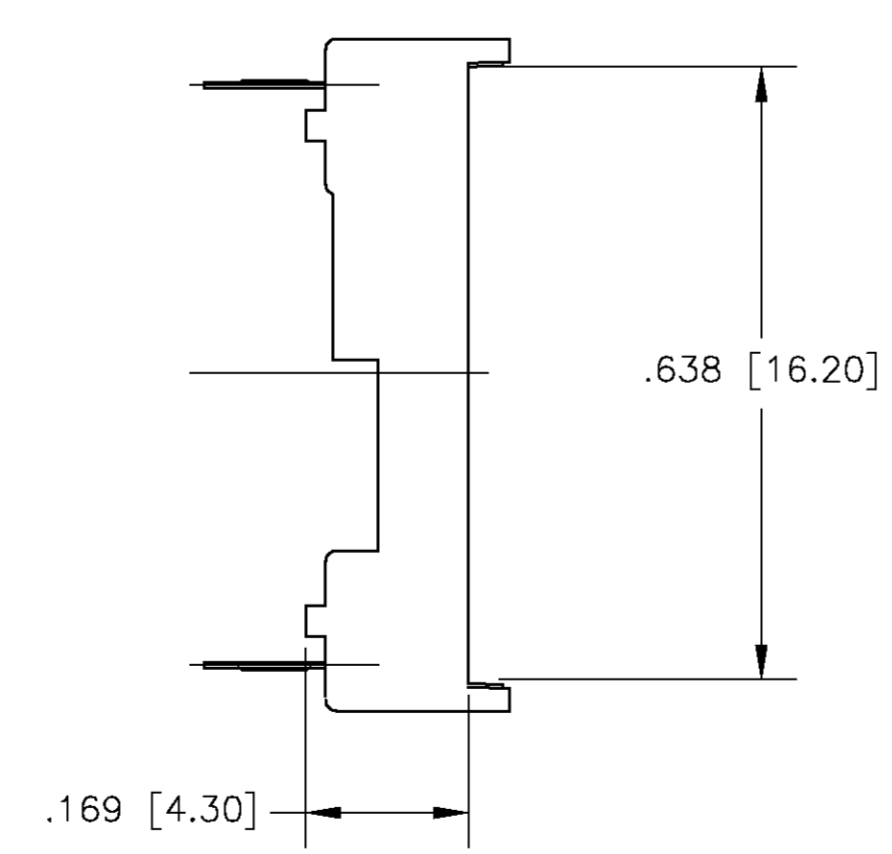
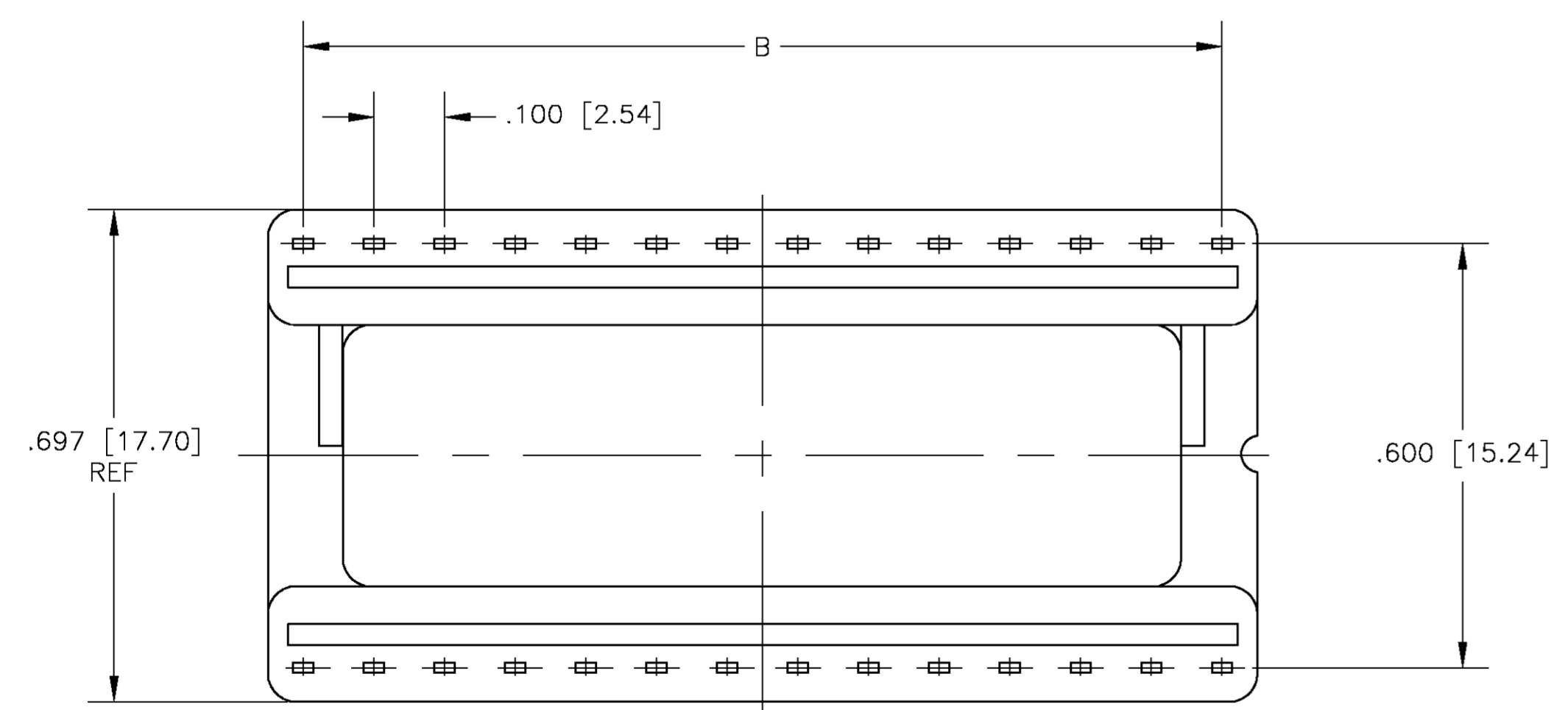
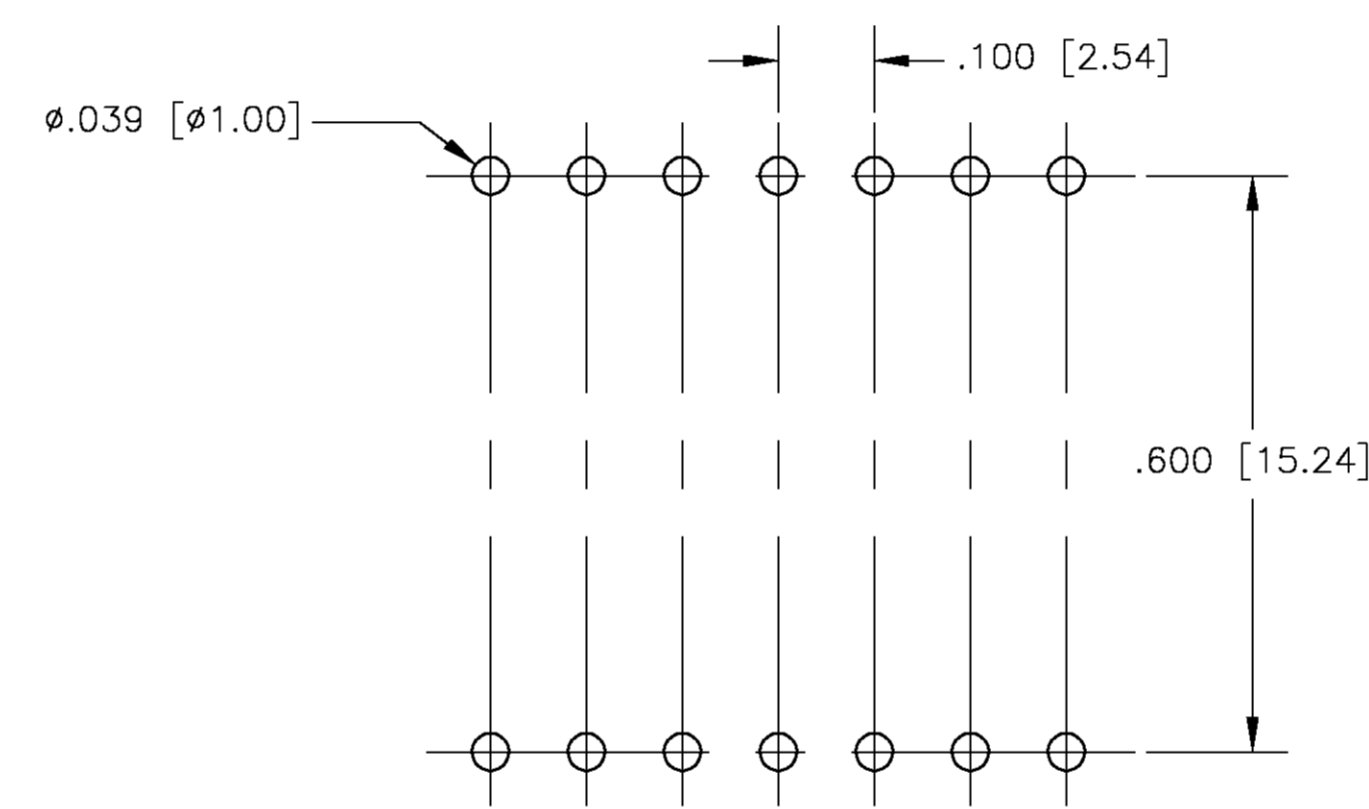
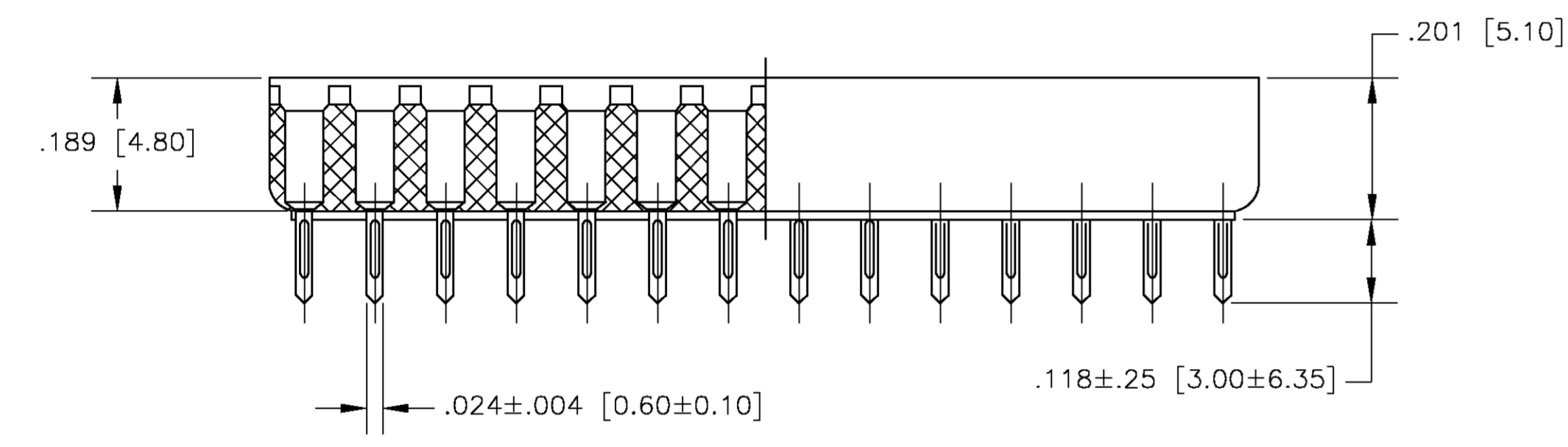
The content and copyrights of the attached material are the property of its owner.

Jameco Part Number 683286



NOTE:-

- 1. MATERIAL:
HOUSING: 30% GLASS FILLED PBT, THERMOPLASTIC, BLACK.
CONTACT: PHOS BRONZE
- 2. FINISH: CONTACT PLATING: TIN-LEAD (60u INCHES MIN.)
SOLDERABILITY :95% COVERAGE MIN.;
TEST TEMPERATURE=230°C±5°C
TEST TIME = 5±5 SECONDS.
- 3. MECHANICAL SPECS:
DURABILITY: 50 CYCLES MIN.
INSERTION FORCE:300 GRAMS MAX.
WITHDRAWAL FORCE: 20 GRAMS MIN.
CONTACT RETENTION: 500 GRAMS MIN.
ACCEPTS: 0.20-0.30 [.008-.012] LEADS
- 4. ELECTRICAL SPECS:
VOLTAGE RATING: 250V AC,DC
CONTACT RESISTANCE: 20 MILLOHMS MAX.
CURRENT RATING: 1 AMPERE AC,DC
INSULATION RESISTANCE: 1000 MEGOHMS MIN.
DIELECTRIC WITHSTANDING VOLTAGE: AC 1000 V MIN.
- 5. OPERATING TEMPERATURE: -40°C TO +105°C
- 6. AMP LOGO
- 7. FINISH: CONTACT PLATING TIN (LEAD FREE); 60 UIN MIN. OVER 30 UIN NI
SOLDERABILITY :95% COVERAGE MIN.;
TEST TEMPERATURE=260°±5°C;
TEST TIME = 5±5 SECONDS.



△	24	25.10	.988	27.94	1.100	30.48	1.200	1-390263-7
△	48	55.52	2.19	58.42	2.300	60.96	2.400	1-390263-6
△	42	47.90	1.89	50.08	1.97	53.34	2.100	1-390263-5
△	40	45.36	1.79	48.26	1.900	50.80	2.000	1-390263-4
△	32	35.20	1.39	38.10	1.500	40.64	1.600	1-390263-2
△	28	30.12	1.19	33.02	1.300	35.56	1.400	1-390263-1
△	24	25.10	.988	27.94	1.100	30.48	1.200	390263-7
△	48	55.52	2.19	58.42	2.300	60.96	2.400	390263-6
△	42	47.90	1.89	50.08	1.97	53.34	2.100	390263-5
△	40	45.36	1.79	48.26	1.900	50.80	2.000	390263-4
△	32	35.20	1.39	38.10	1.500	40.64	1.600	390263-2
△	28	30.12	1.19	33.02	1.300	35.56	1.400	390263-1
FINISH	POS	C±0.15 [.004]		B±0.10 [.004]		A±0.20 [.008]		PART NO.

THIS DRAWING IS A CONTROLLED DOCUMENT.		DIN	BSV	07SEP2004	 Tyco Electronics Corporation Hariaburg, Pa 17105-3808		
DIMENSIONS: INCHES		CHK					
TOLERANCES UNLESS OTHERWISE SPECIFIED:		APVD	K. WRIGHT	NAME	DIP SOCKET, 15.24 CENTERLINE OTC STYLE		
0 PLC ± 1 PLC ± 2 PLC ± 3 PLC ± 0.2 [.008] 4 PLC ± ANGLES ±		APPLICATION SPEC					
MATERIAL	FINISH	WEIGHT		SIZE	CAGE CODE	DRAWING NO	RESTRICTED TO
1	2-7			A1	00779	390263	
CUSTOMER DRAWING		SCALE	5:1	SHEET	1	OF	1
		REV	J				