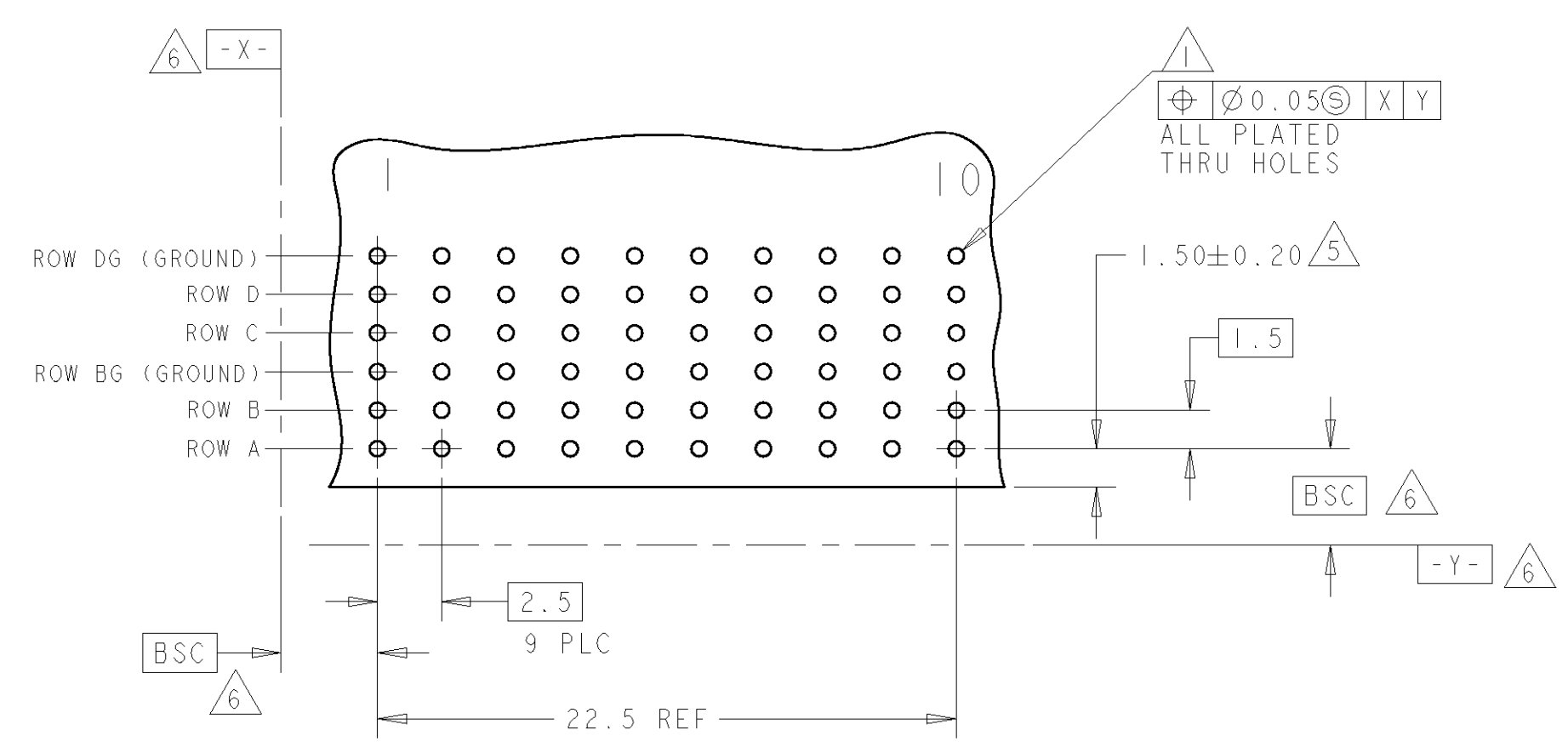
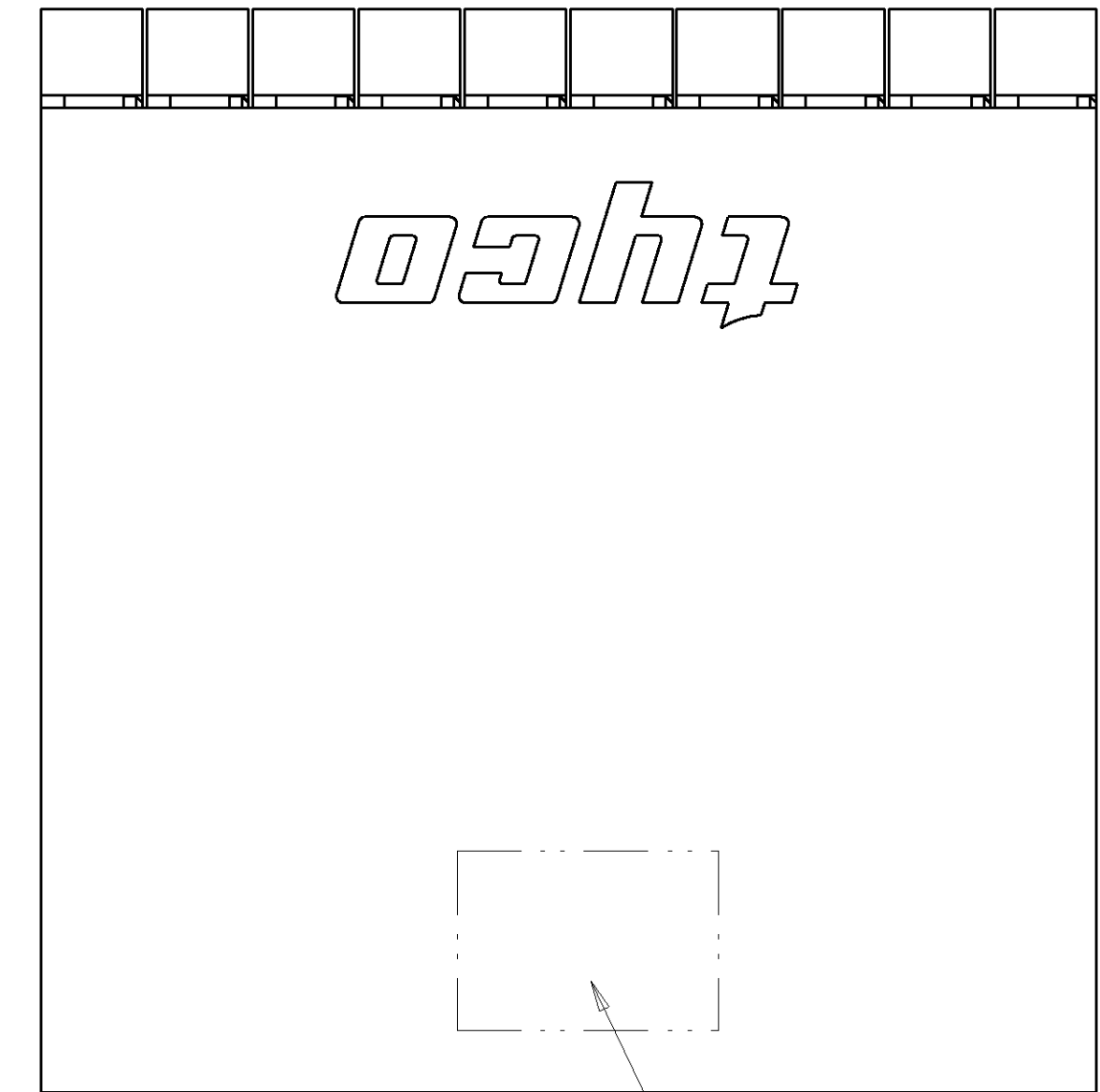
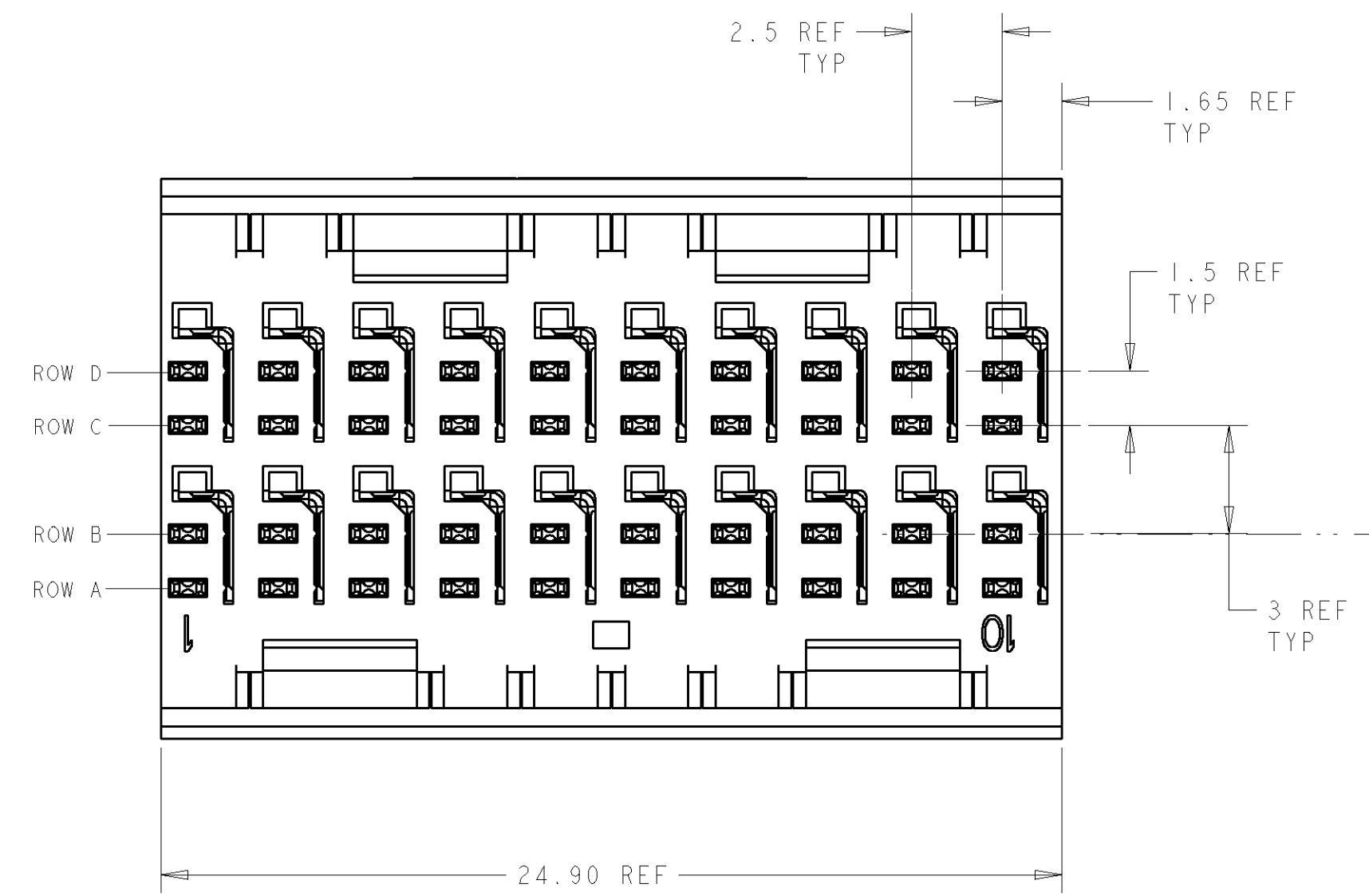


LOC	DIST	REV	DESCRIPTION	DATE	DWN	APPD
AD	00	0	RELEASED PER 0512-0034-04	01APR2004	SJM	RAP
		A	REVISED PER 0512-0222-04	11MAY2004	SJM	RAP
		B	REVISED PER 0512-0563-04	15APR2005	SJM	RAP
		B1	REV PER ECO-06-007494	31MAR2006	BC	RP

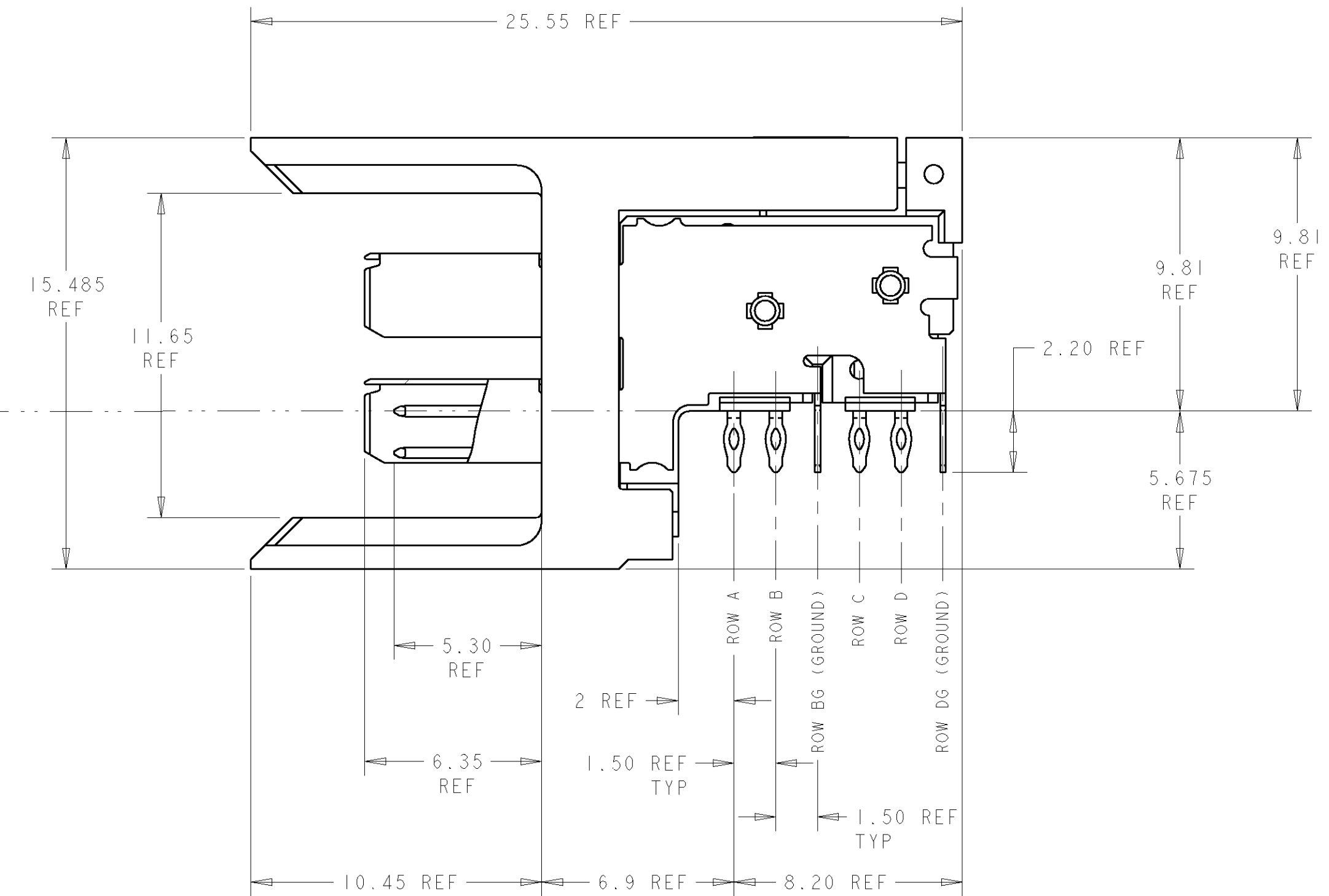
- 1 PCB HOLE DIM:  
 DRILLED HOLE = 0.700±0.025mm  
 FINISHED HOLE = 0.600±0.050mm  
 Cu THICKNESS = 0.0375±0.0125mm  
 SnPb THICKNESS = 0.007±0.003mm
- 2 MATERIAL:  
 CONTACT & SHIELD - PHOSPHOR BRONZE  
 HOUSING & CHICKLET - GLASS FILLED POLYESTER
- 3 FINISH:  
 CONTACT & SHIELD - 0.76µm MIN GOLD OVER  
 1.27µm MIN NICKEL IN MATING AREA, 0.5µm MIN BRIGHT  
 TIN-LEAD OVER 1.27µm MIN NICKEL IN COMPLIANT PIN AREA.
- 4 CONNECTOR MARKED WITH PART NUMBER AND  
 DATE CODE IN APPROXIMATE AREA SHOWN
- 5 DIMENSION APPLIES TO CENTERLINE OF THRU HOLE
- 6 DATUMS AND BASIC DIMENSIONS ESTABLISHED BY CUSTOMER
- 7. CONTACT AREA LUBRICATED WITH BELLCORE APPROVED LUBRICANT.  
 TECHNICAL REFERENCE: GR-1217-CORE, ISSUE 1, NOVEMBER 1995



RECOMMENDED PC BOARD LAYOUT  
 COMPONENT SIDE SHOWN  
 SCALE 4:1



TOP SURFACE OF  
 DAUGHTER CARD



1469169-1  
 PART NUMBER

DIMENSIONS: mm		TOLERANCES UNLESS OTHERWISE SPECIFIED: 0 PLC ± 1 PLC ± 2 PLC ± 3 PLC ± 4 PLC ± ANGLES ±		DWN S.J. MAGARO 02DEC2003 ENR D.S. SZCZESNY 02DEC2003 APPD B. PATTERSON 31MAR2006 PRODUCT SPEC APPLICATION SPEC WEIGHT CUSTOMER DRAWING		Tyco Electronics Harrisburg, PA 17105-3608 NAME HEADER ASSEMBLY, RIGHT ANGLE, 2 PAIR, COPLANAR, HMZd SIZE CAGE CODE DRAWING NO RESTRICTED TO A1 00779 C=1469169 SCALE 6:1 SHEET 1 OF 1 REV B1	
-------------------	--	--	--	---	--	--	--