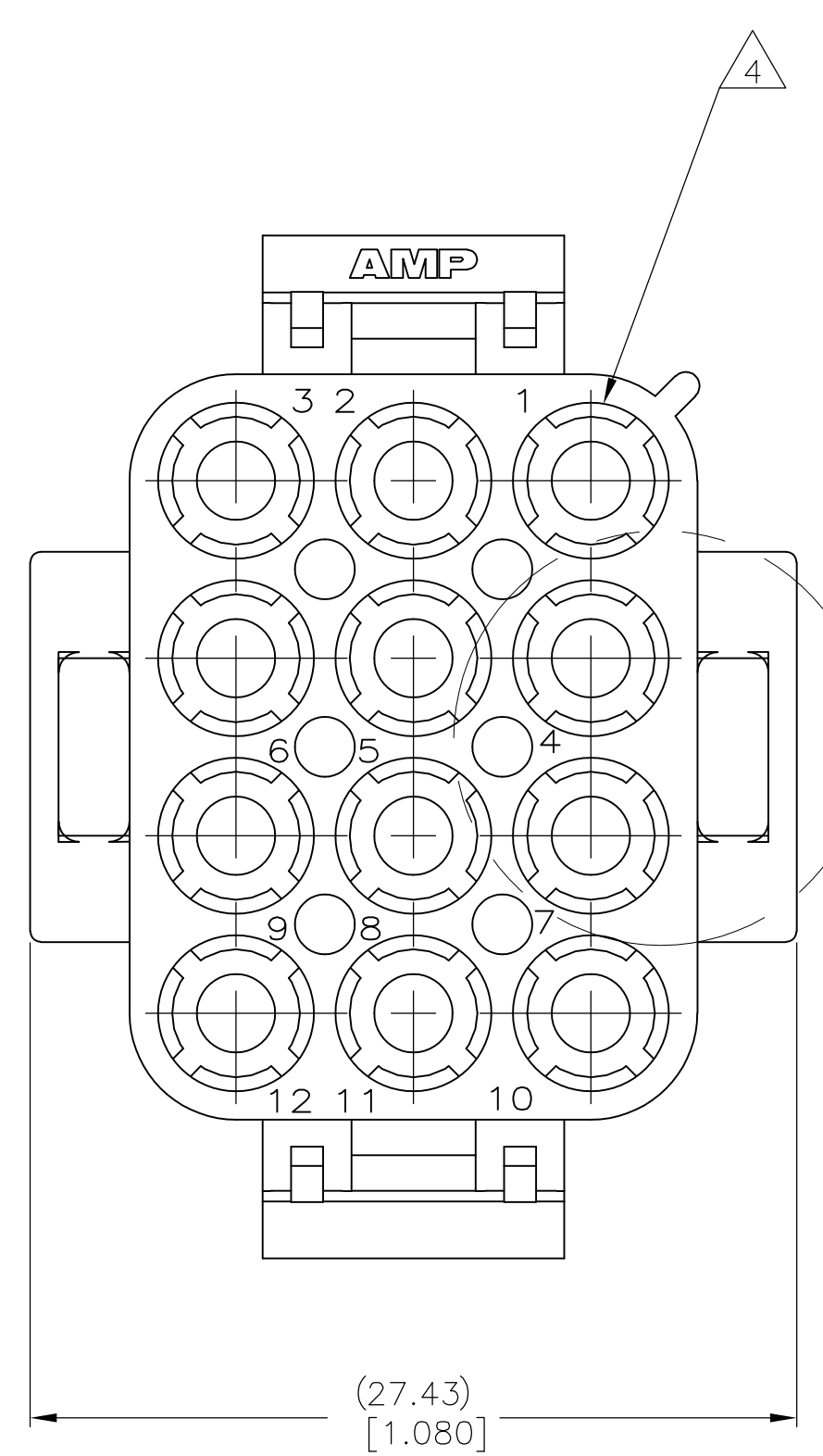
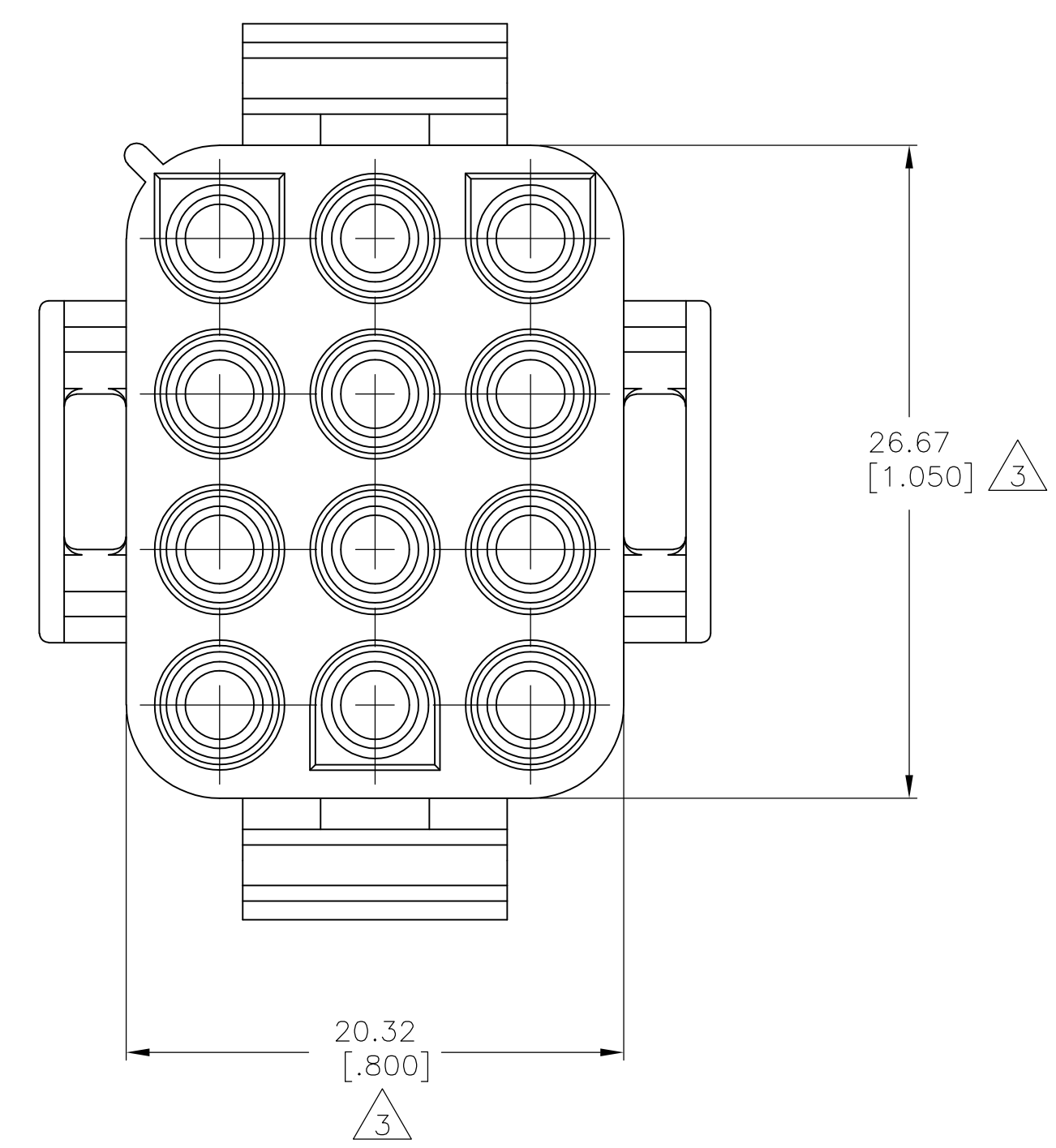
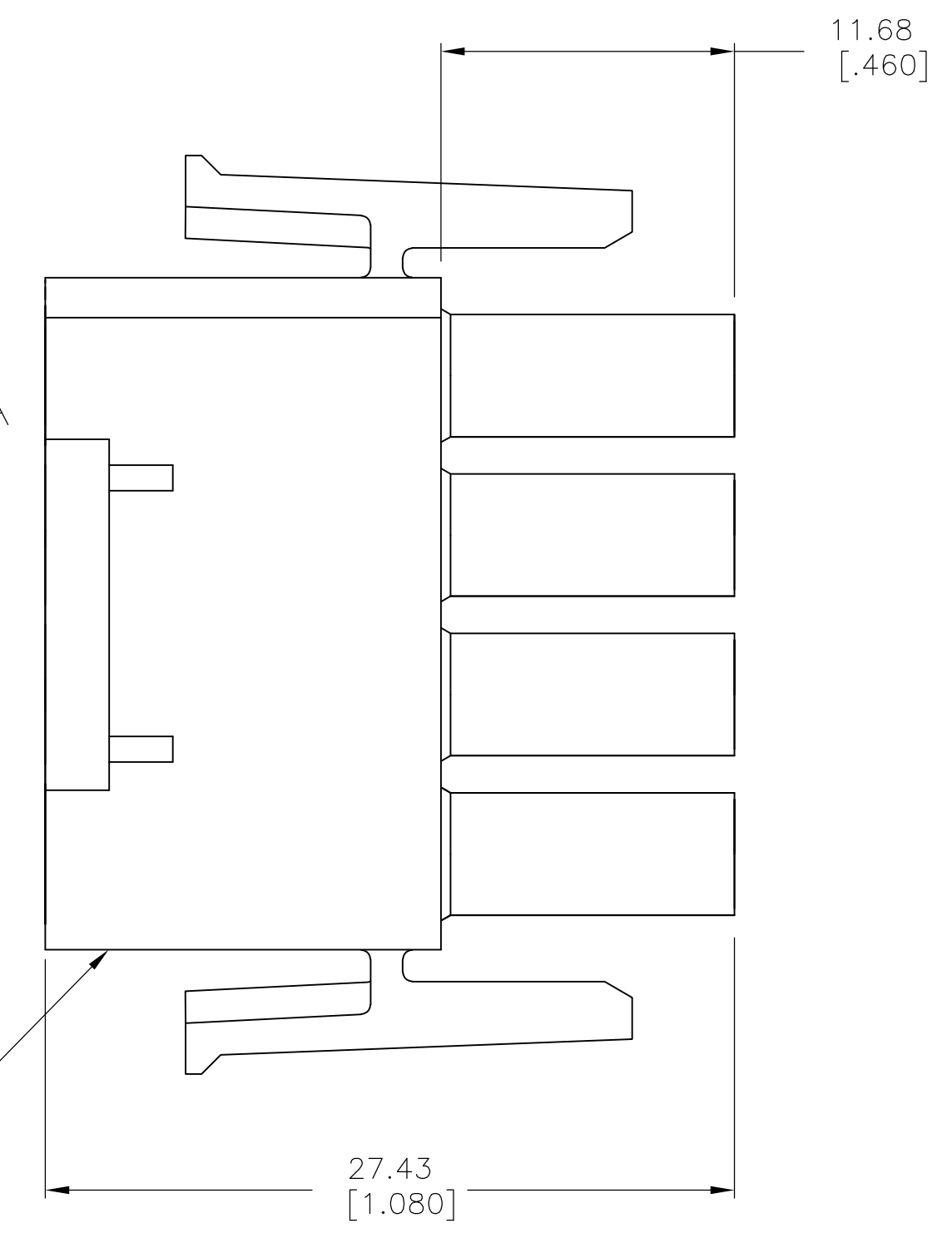


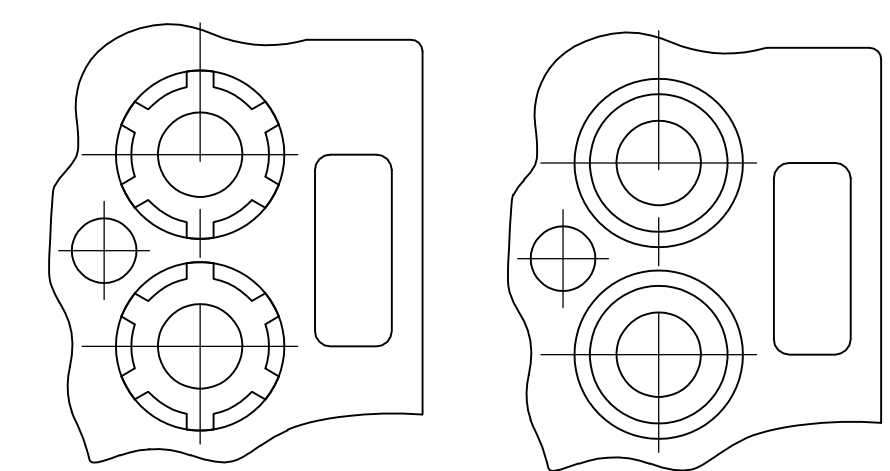
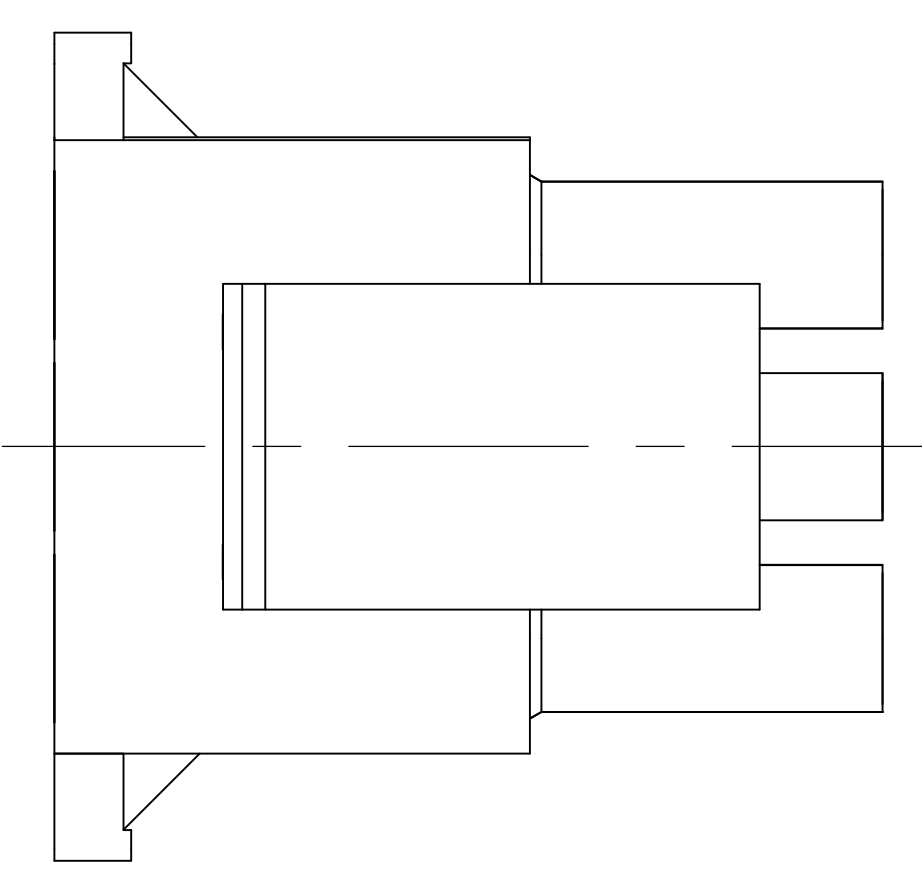
LOC		DIST		REVISIONS			
IF	LTR	DESCRIPTION	DATE	DWN	APV		
AP		REVISED PER ECO-08-017443	23JUL08	HMR	DC		



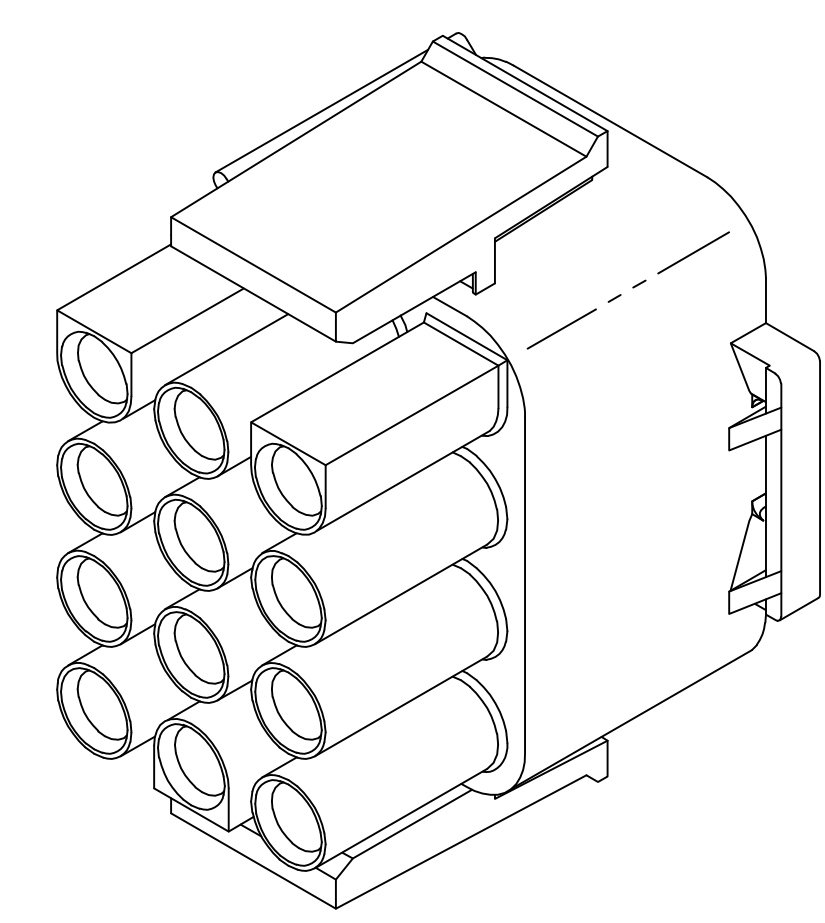
SEE DETAIL A



- 1 MATES WITH APPROPRIATE UNIVERSAL MATE-N-LOK™ CAP OR HEADER.
- 2 SMALL NICKS ARE PERMITTED ON THE CIRCUIT TOWERS WHICH COULD INCREASE THE INITIAL HOUSING MATING FORCE BY UP TO 4.4 NEWTONS [1.0 LBS]. NO INDIVIDUAL NICKED TOWER SHALL INCREASE THIS FORCE BY OVER 2.2 NEWTONS [.5 LBS].
- 3 DIMENSION INDICATED IS AS MOLDED. ADDITIONAL GROWTH DUE TO SUBSEQUENT MOISTURE ABSORPTION MAY OCCUR.
- 4 FOUR RIBS EQUALLY SPACED, NO SPECIFIC ORIENTATION. NO RIBS OR SIX RIBS EQUALLY SPACED, NO SPECIFIC ORIENTATION, OPTIONAL.
- 5 UNDERWRITERS RECOGNIZED COMPONENT LOGO AND CSA CERTIFICATION LOGO TO BE LOCATED ONCE EACH ON SIDE OF HOUSING.



DETAIL A
OPTIONAL CONSTRUCTION



3-DIMENSIONAL MODEL
NTS

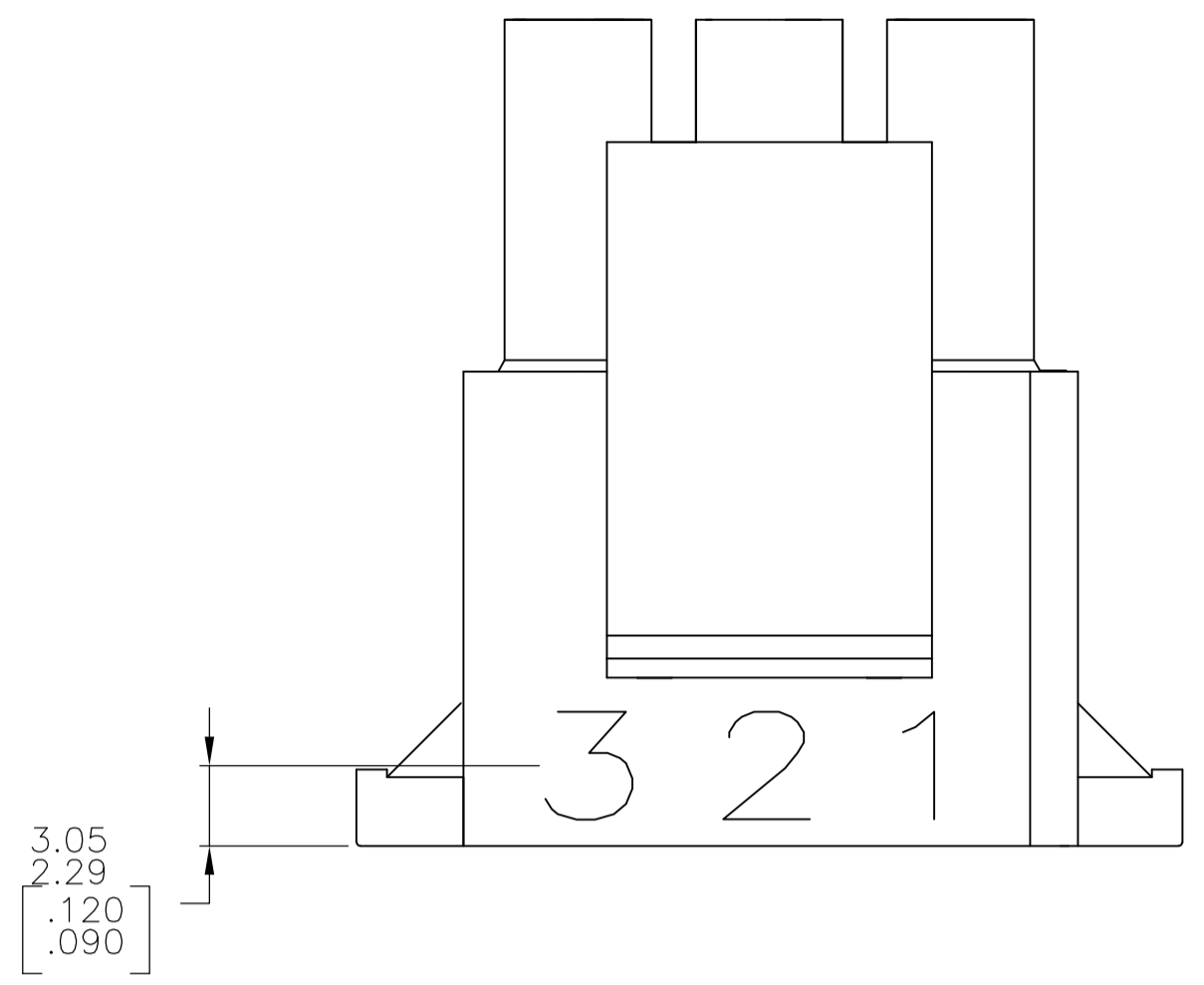
BLACK	1-480708-9
GREY	1-480708-8
BLUE	1-480708-6
GREEN	1-480708-5
YELLOW	1-480708-4
ORANGE	1-480708-3
RED	1-480708-2
BROWN	1-480708-1
NATURAL	1-480708-0
COLOR	PART NO.

THIS DRAWING IS A CONTROLLED DOCUMENT.

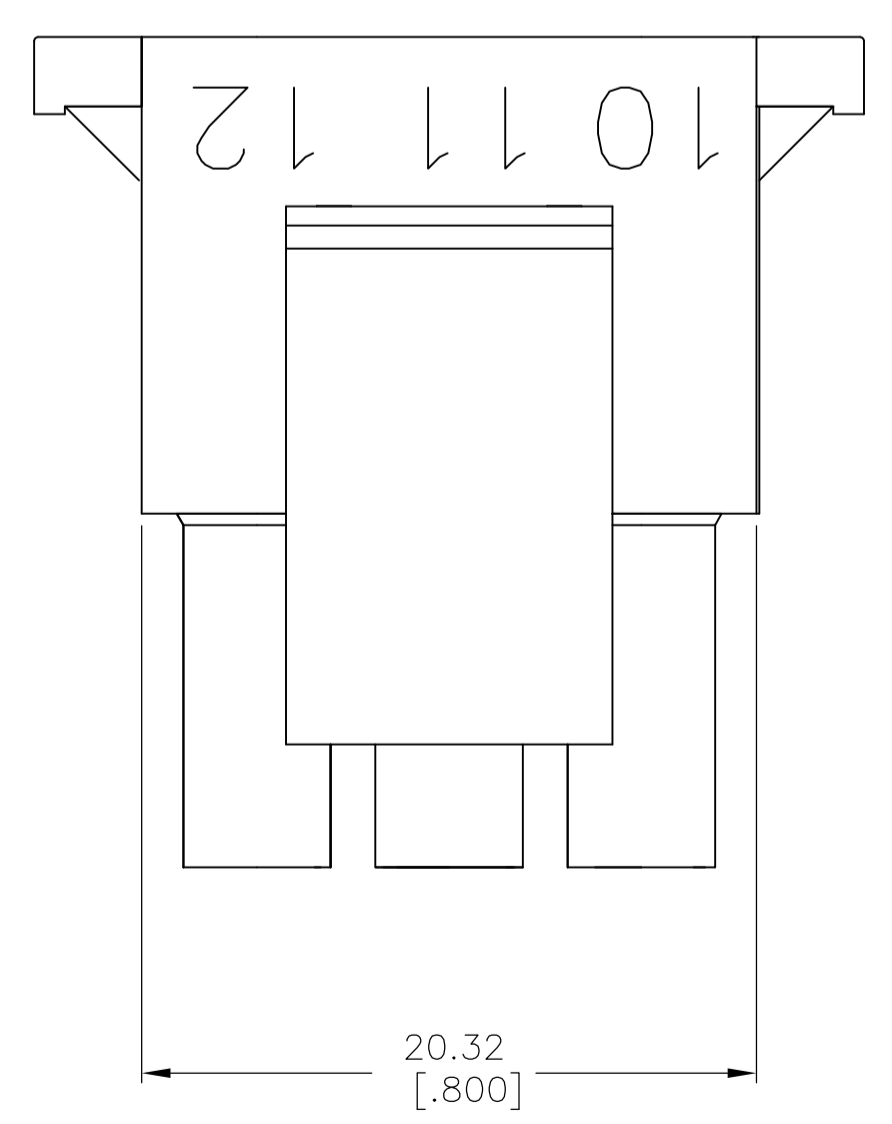
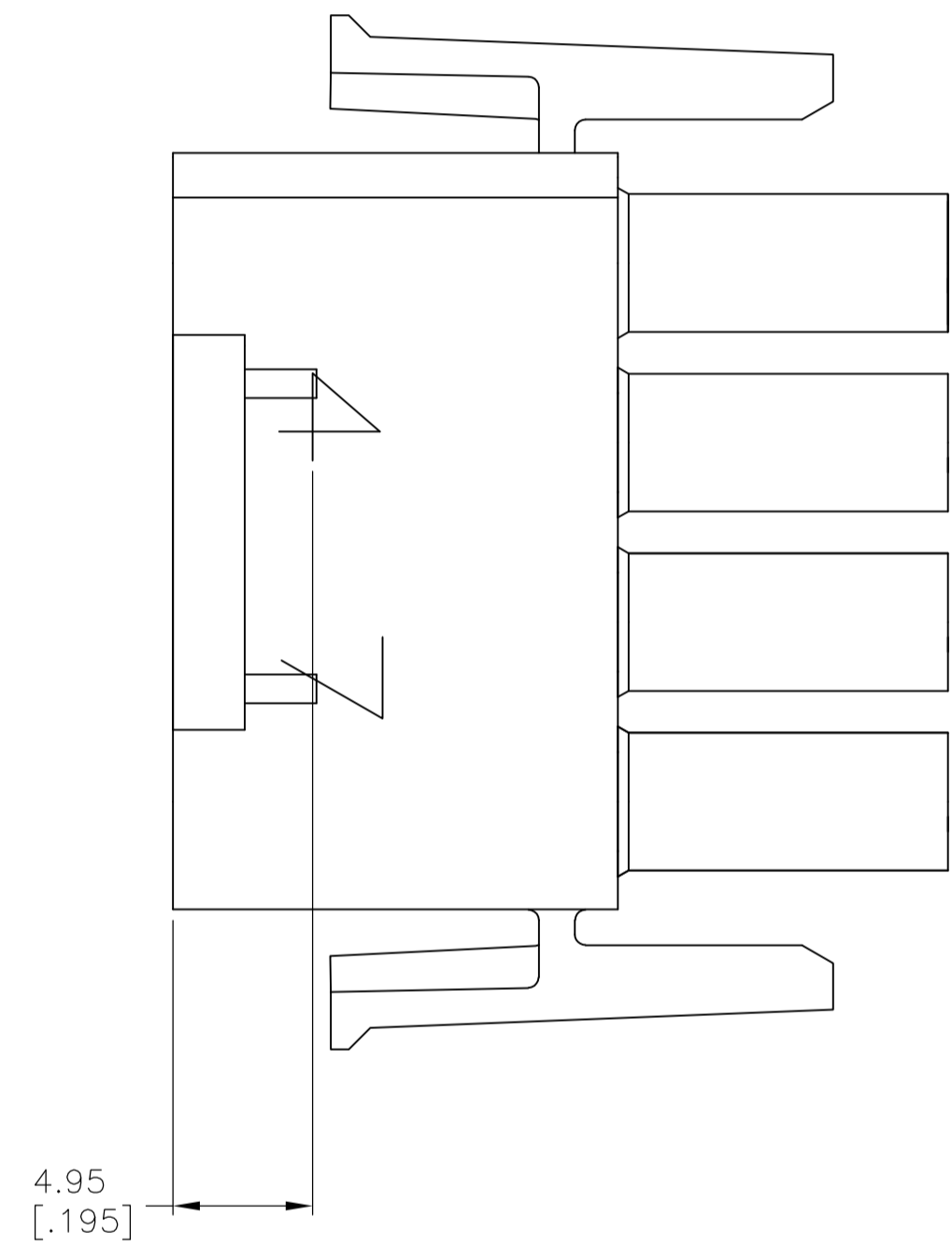
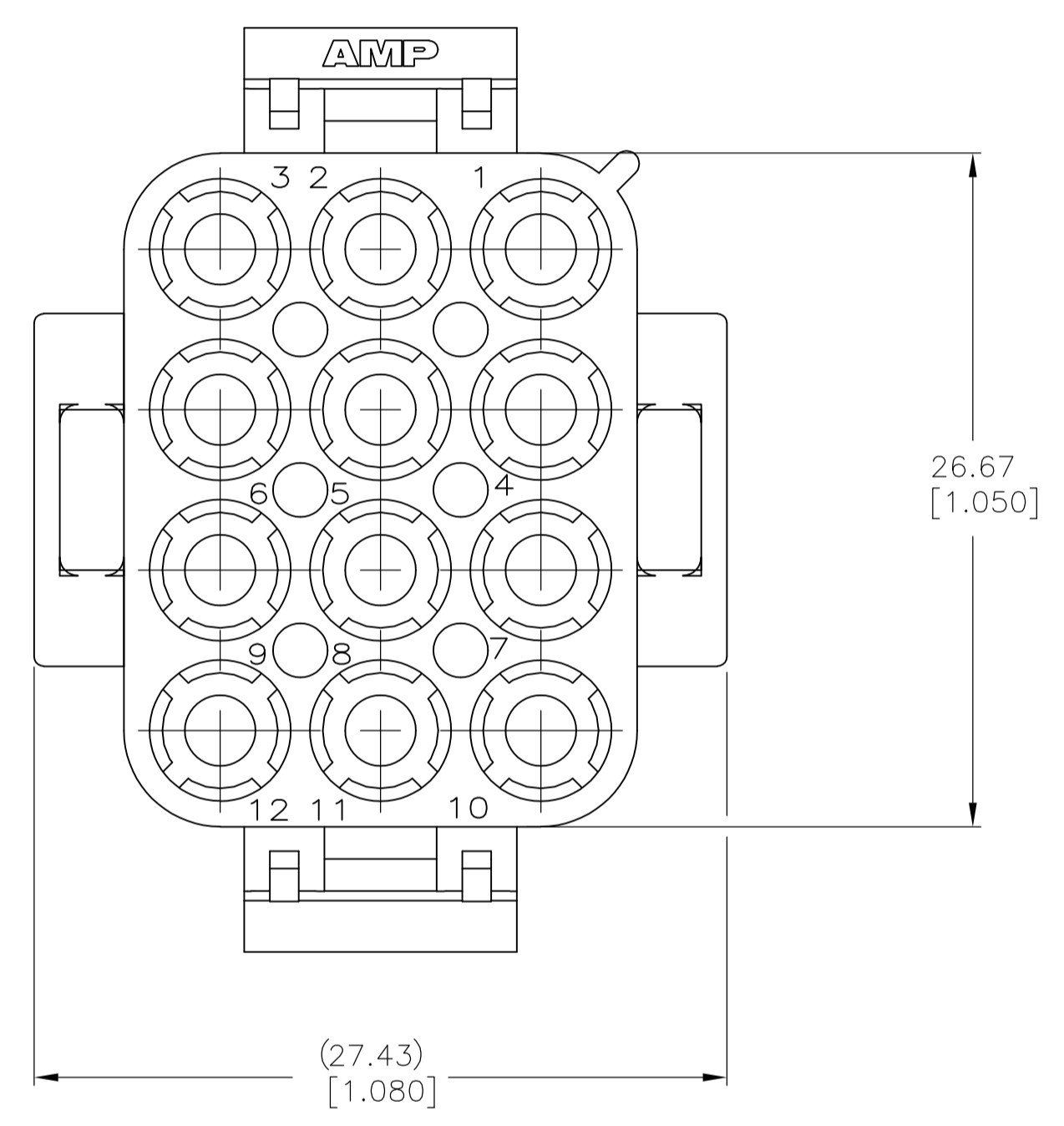
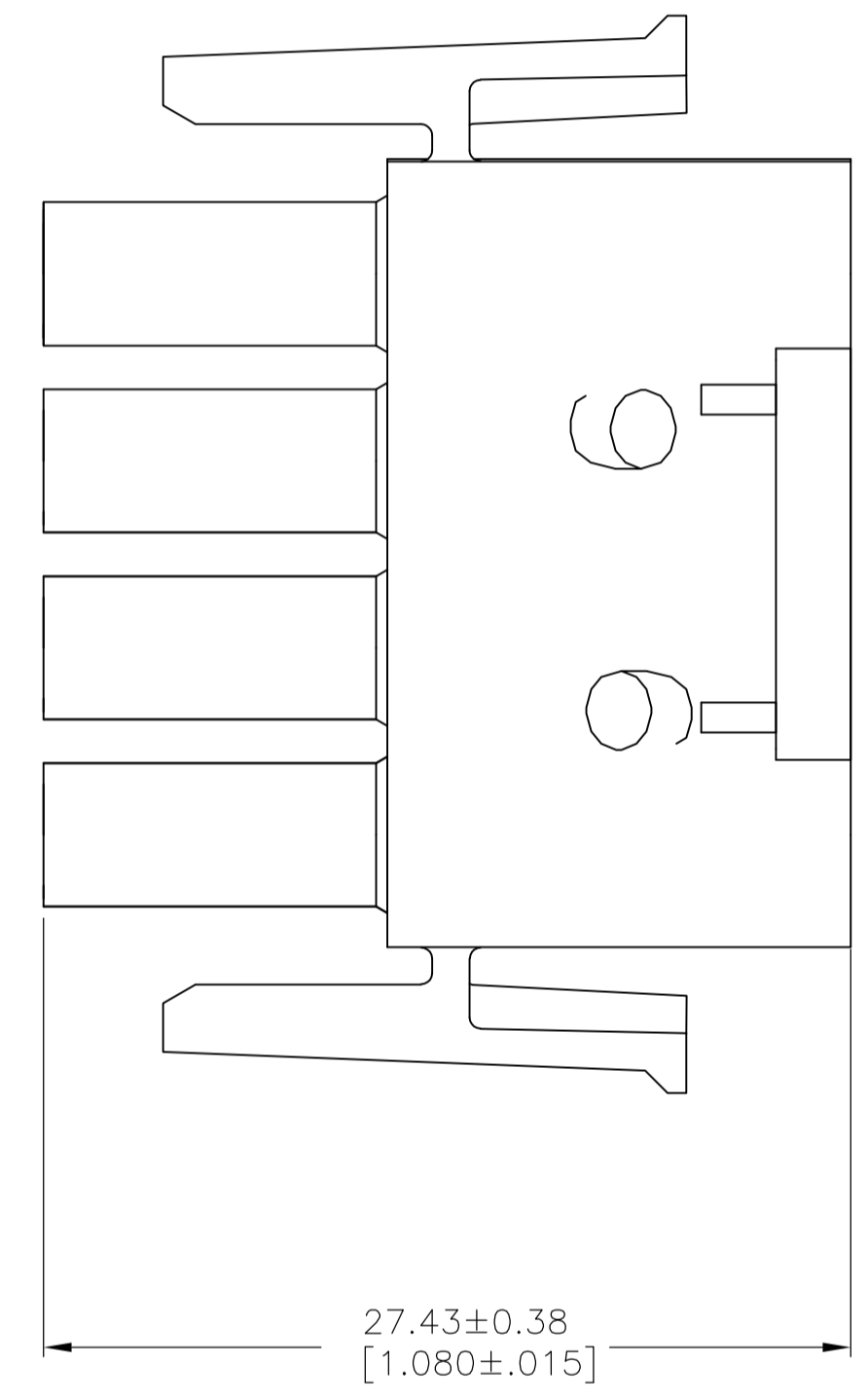
DIMENSIONS: mm [INCHES]	TOLERANCES UNLESS OTHERWISE SPECIFIED: 0. PLC ± - 1. PLC ± - 2. PLC ± 0.13 [.005] 3. PLC ± - 4. PLC ± - ANGLES ± 0°30' FINISH -	DWN: K. WHITAKER 01SEP04 CHK: S. RIDGILL 01SEP04 APP'D: S. RIDGILL 01SEP04 NAME: S. RIDGILL PRODUCT SPEC: - APPLICATION SPEC: - WEIGHT: -	Tyco Electronics Corporation Harrisburg, PA 17105-3608 PLUG, 12 CIRCUIT, UNIVERSAL MATE-N-LOK™ SIZE: A1 CAGE CODE: 00779 DRAWING NO: 480708 RESTRICTED TO: - CUSTOMER DRAWING SCALE: 4:1 SHEET: 1 OF 2 REV: AP
----------------------------	--	---	---



LOC	DIST	REVISIONS			
CM	00	REV	DATE	BY	APPV
		1	SEE SHEET 1		



- 1 STAMP NUMBERS 3.18 HIGH AT WIRE END OF HOUSING (12 POINT DAVID TYPE).
- 2 CHARACTERS TO BE POSITIONED ON HOUSING TO BE READ FROM WIRE END ONLY.
- 3 VIOLET, BLACK, BROWN, AND BLUE COLORED BLOCKS TO BE STAMPED WITH WHITE CHARACTERS. ALL OTHER COLORED BLOCKS TO BE STAMPED WITH BLACK CHARACTERS.



METRIC

NATURAL COLOR	2-480708-0 PART NUMBER
---------------	------------------------

THIS DRAWING IS A CONTROLLED DOCUMENT.		DWG: K. WHITAKER 01SEP04	Tyco Electronics Corporation Harrisburg, PA 17105-3608	
DIMENSIONS: mm [INCHES]		CHK: S. RIDGILL 01SEP04	Tyco Electronics	
TOLERANCES UNLESS OTHERWISE SPECIFIED:		APPV: S. RIDGILL 01SEP04	NAME: PLUG, 12 CIRCUIT, UNIVERSAL MATE-N-LOK	
0. PLC ± -	1. PLC ± -	PRODUCT SPEC	SIZE: A1	
2. PLC ± 0.13 [0.005]	3. PLC ± -	APPLICATION SPEC	CAGE CODE: 480708	DRAWING NO: 480708
4. PLC ± -	ANGLES ± 0.30°	WEIGHT: -	RESTRICTED TO: -	
MATERIAL: NYLON, UL 94V-2	FINISH: -	CUSTOMER DRAWING	SCALE: 4:1	SHEET 2 OF 2