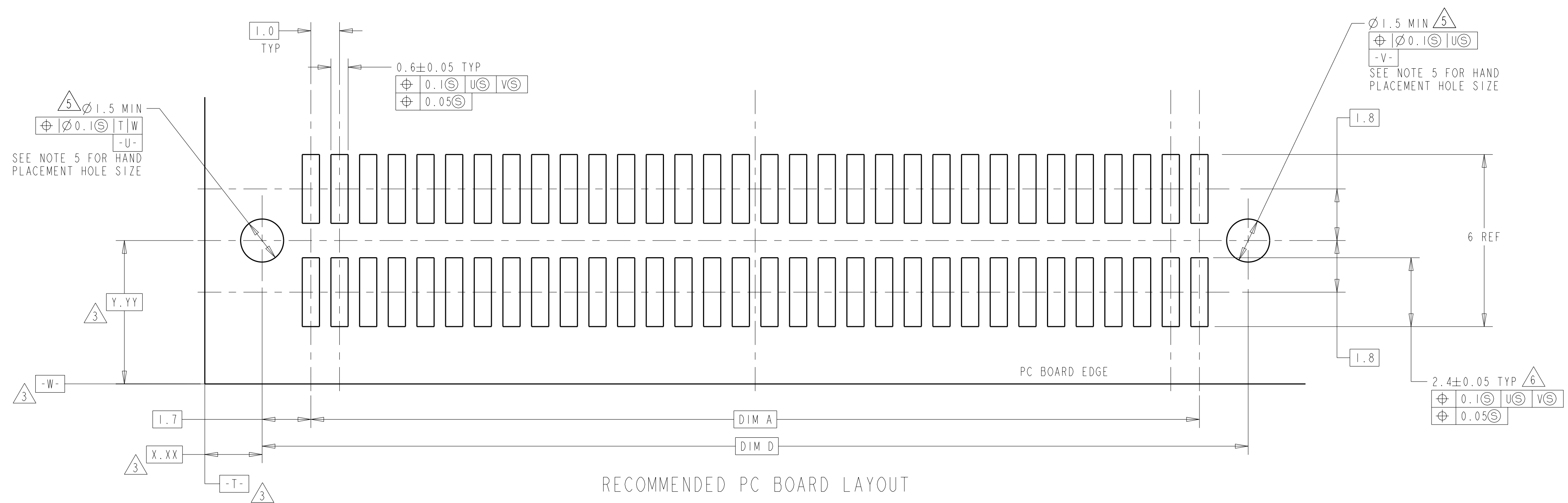
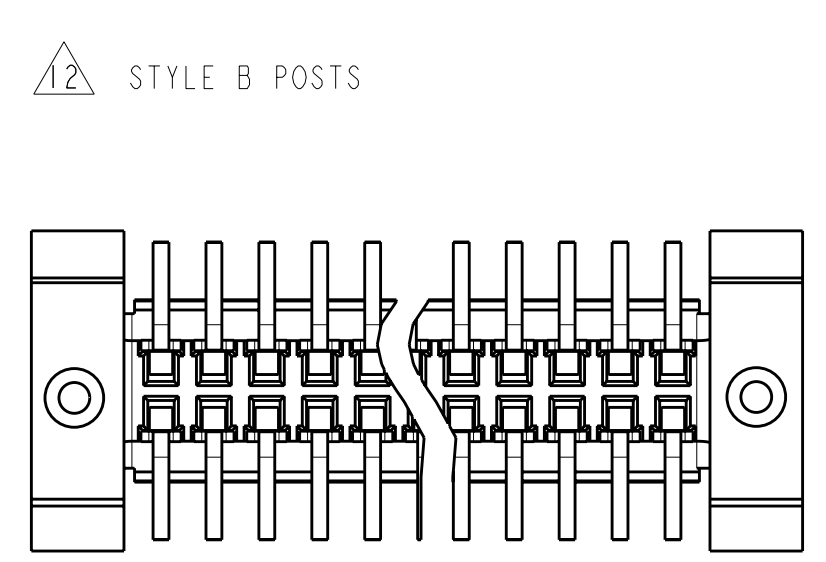
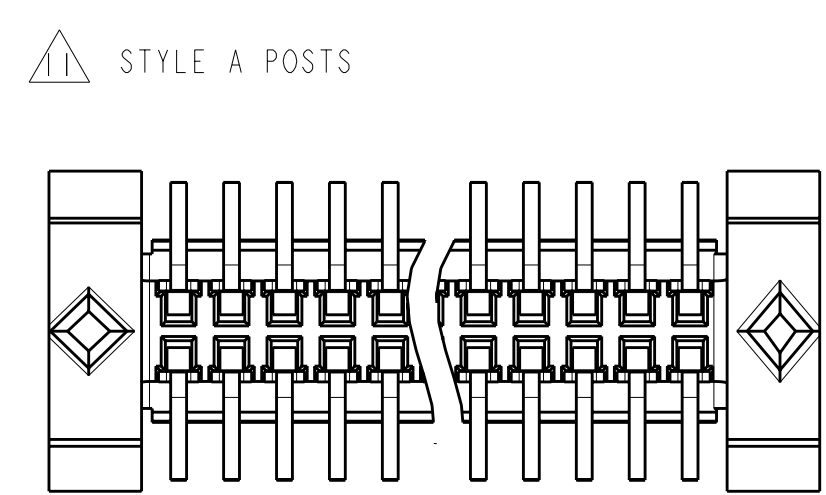
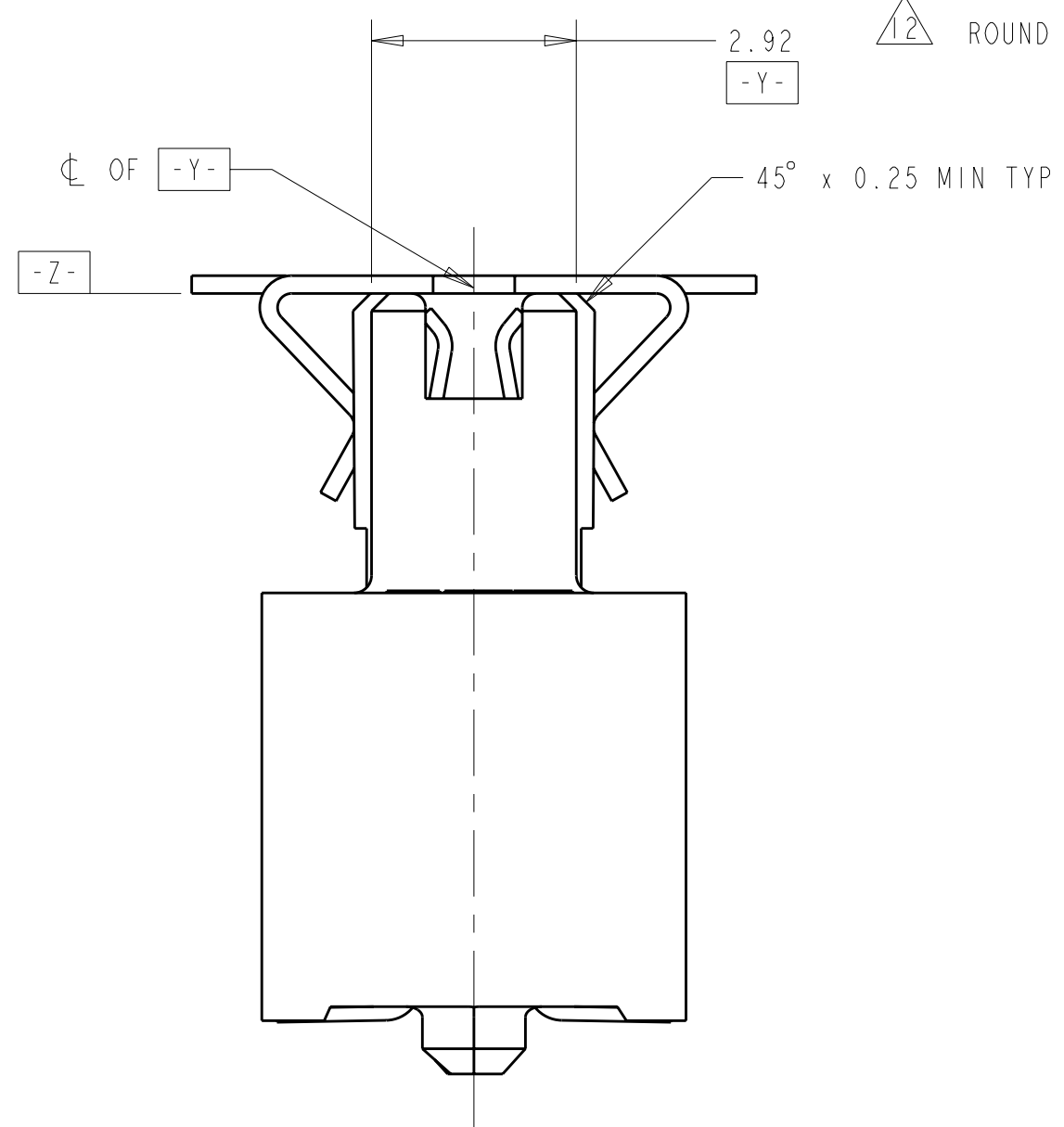
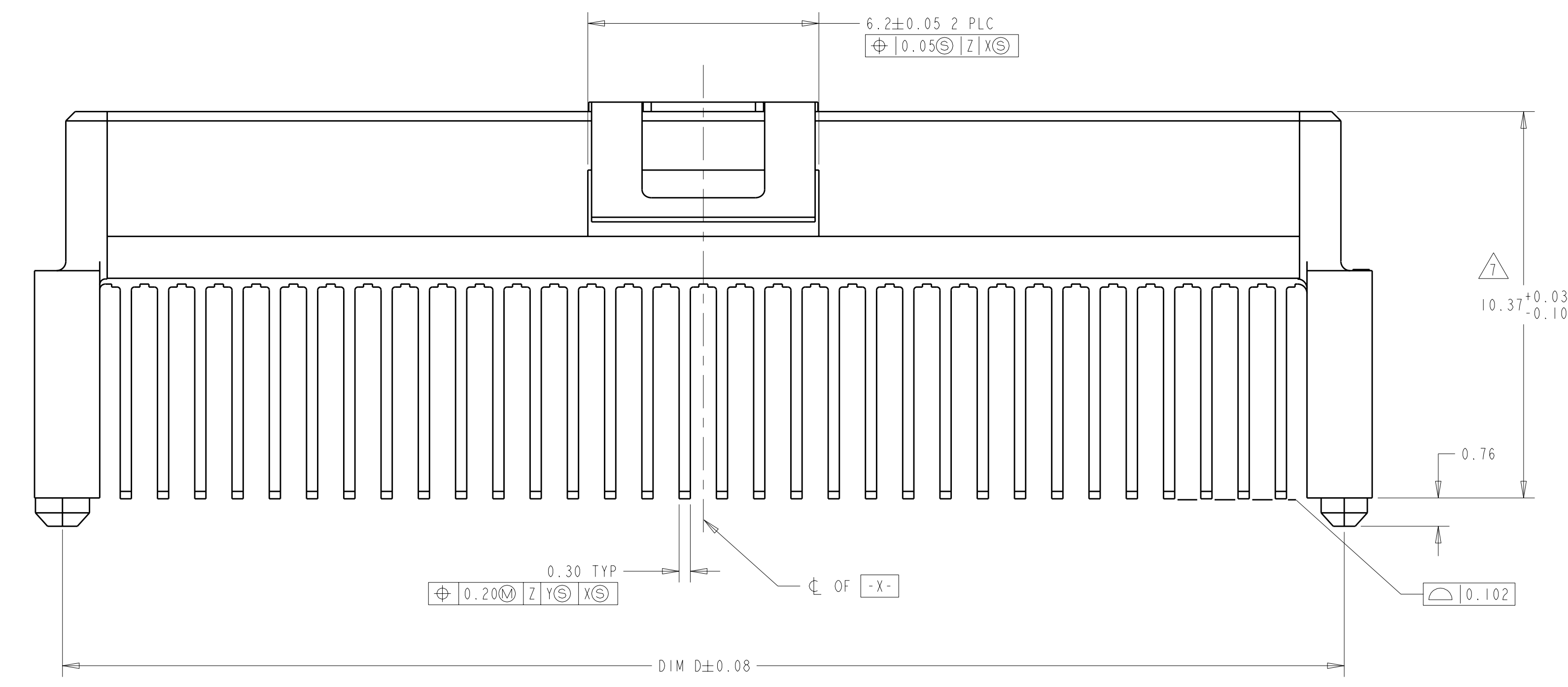
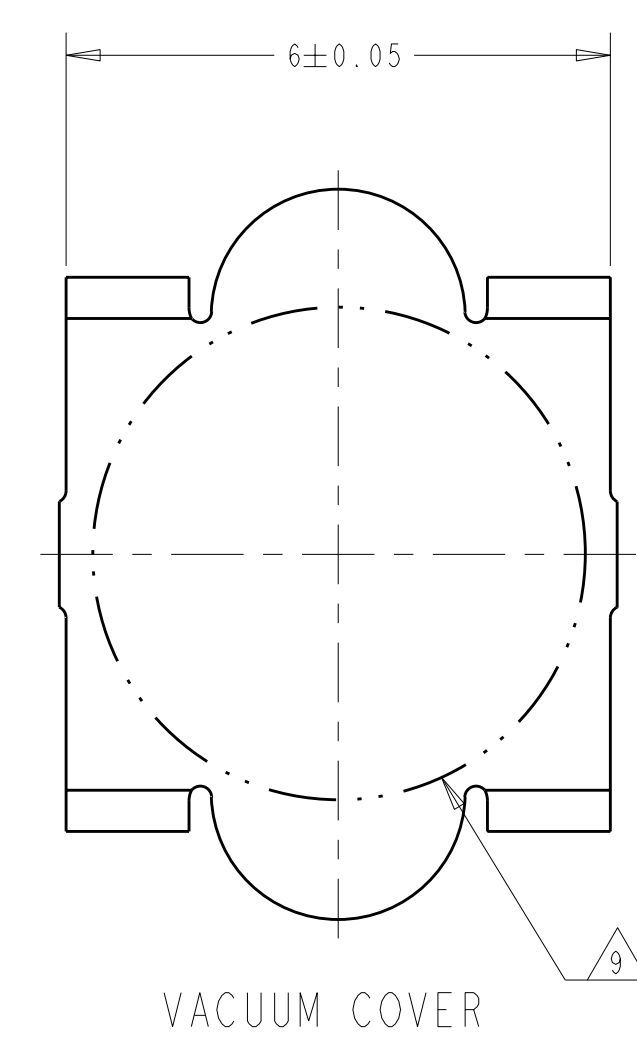
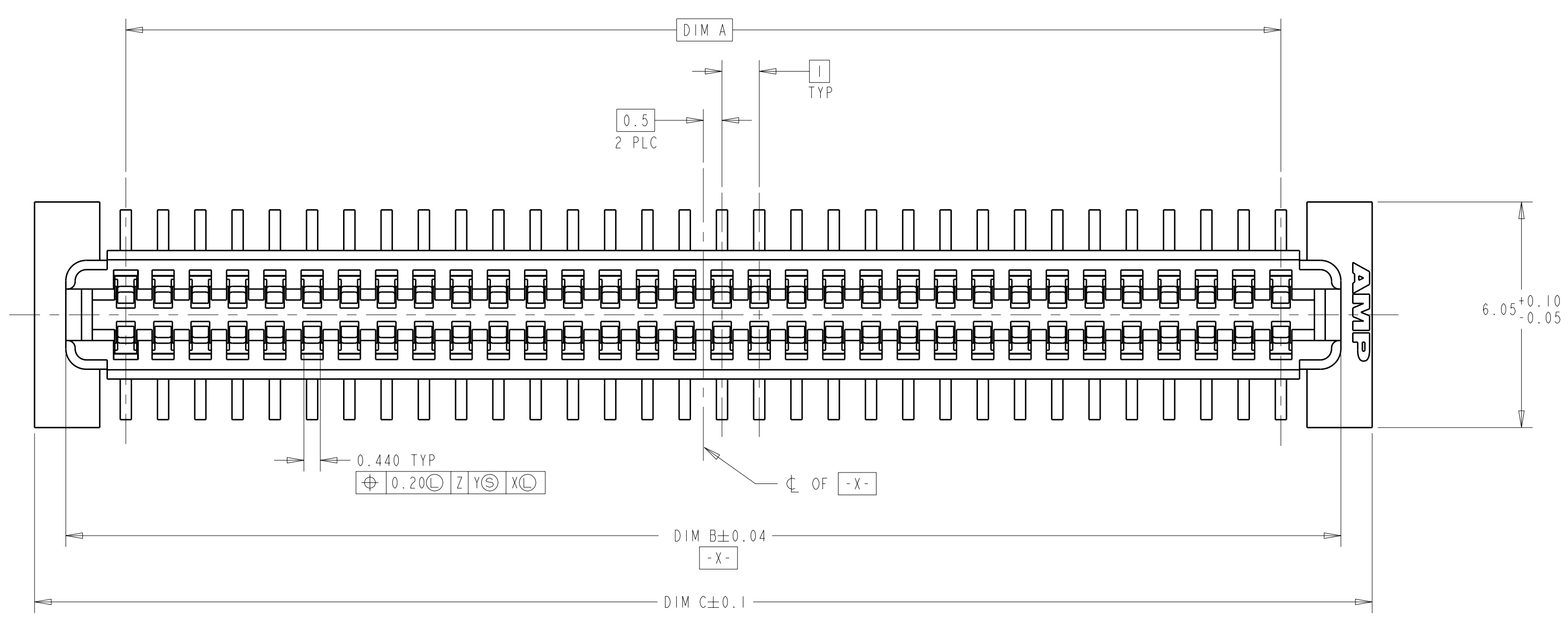


LOC	DIST	REV	DATE	BY	APP'D
AD	00	0	01OCT2004	BC	RW
		A	22JAN2007	BC	DB
		B	10JUL2008	DH	DB
		B1	25AUG2009	AEG	DD

- 1 HOUSING MATERIAL: HIGH TEMPERATURE THERMOPLASTIC, COLOR: BLACK. CONTACT MATERIAL: PHOSPHOR BRONZE.
- 2 CONTACT FINISH: NICKEL UNDERPLATE ALL OVER, MATING SURFACES PLATED TO MEET PL1 PERFORMANCE REQUIREMENTS OF INDUSTRY SPECIFICATION EIA-700AAAB, SOLDER TAILS PLATED TIN.
- 3 DATUM LOCATIONS AND BASIC DIMENSIONS TO BE ESTABLISHED BY THE CUSTOMER. AMP ENGINEERING WHEN PLACING MULTIPLE CONNECTORS ON A PC BOARD.
- 4 PACKAGED IN TAPE ON REEL PER EIA-481.
- 5 1.4±0.05 DIAMETER HOLE WHEN PLACING BY HAND.
- 6 SHORTER SOLDER LANDS MAY BE USED PER EIA 700AAAB, HOWEVER 2.4 LENGTH ASSURES OPTIMUM SOLDER FILLET REGARDLESS OF MANUFACTURER OF CONNECTOR.
- 7 REFERRED TO AS DIM H = 5.30±0.1 IN EIA 700AAAB SPECIFICATION.
- 8 VACUUM COVER NOT SHOWN IN SOME VIEWS FOR CLARITY.
- 9 5.5 MIN DIAMETER TARGET AREA FOR VACUUM PICK-UP.
- 10 CONTACT FINISH: 0.00381 MINIMUM MATTE TIN PER ASTM B 545 ON SOLDER AREA. 0.00127 MINIMUM GOLD PER ASTM B 488 ON MATING AREA. BOTH OVER 0.00127 MINIMUM NICKEL PER SAE-AMS-QQ-N-290 ON ENTIRE CONTACT.
- 11 SQUARE AND DIAMOND SHAPED POSTS
- 12 ROUND SHAPED POSTS



POST STYLE	FINISH	DIM D	DIM C	DIM B	DIM A	STACK HEIGHTS	POS	PART NUMBER
12	10	44.4	44.4	44.22	41	14, 15	84	3-5146896-2
12	10	34.4	35.9	34.22	31	14, 15	64	3-5146896-1
12	2	44.4	44.4	44.22	41	14, 15	84	2-5146896-2
12	2	34.4	35.9	34.22	31	14, 15	64	2-5146896-1
11	10	44.4	45.9	44.22	41	14, 15	84	1-5146896-2
11	10	34.4	35.9	34.22	31	14, 15	64	1-5146896-1
11	2	44.4	45.9	44.22	41	14, 15	84	5146896-2
11	2	34.4	35.9	34.22	31	14, 15	64	5146896-1

**Tyco Electronics**  
 Tyco Electronics Corporation  
 Harrisburg, PA 17105-3608

DWN: B. CARBO  
 CHK: R. WERTZ  
 APP'D: R. WERTZ

DIMENSIONS: mm  
 TOLERANCES UNLESS OTHERWISE SPECIFIED:  
 9 PLC ±  
 5 PLC ±0.03  
 4 PLC ±0.003  
 4 PLC ±  
 ANGLES ±0°30'

MATERIAL: SEE TABLE  
 FINISH: SEE TABLE

DIMENSIONS: DIM A, DIM B, DIM C, DIM D, STACK HEIGHTS, POS  
 DIM A: 44.4, 34.4, 44.4, 34.4, 44.4, 34.4, 44.4, 34.4  
 DIM B: 44.22, 34.22, 44.22, 34.22, 44.22, 34.22, 44.22, 34.22  
 DIM C: 41, 31, 41, 31, 41, 31, 41, 31  
 DIM D: 14, 15, 14, 15, 14, 15, 14, 15  
 STACK HEIGHTS: 84, 64, 84, 64, 84, 64, 84, 64  
 POS: 84, 64, 84, 64, 84, 64, 84, 64

PRODUCT SPEC: 502-1079  
 APPLICATION SPEC: 114-25045  
 WEIGHT: -  
 SCALE: 10:1

NAME: RECEPTACLE ASSY, W/ VACUUM COVER, 1.0mm FH (IEEE 1386) CONNECTOR  
 SIZE: A1  
 CAGE CODE: 00779  
 DRAWING NO: 5146896  
 SHEET: 1 OF 1