

Distributed by:

**JAMECO**<sup>®</sup>  
ELECTRONICS

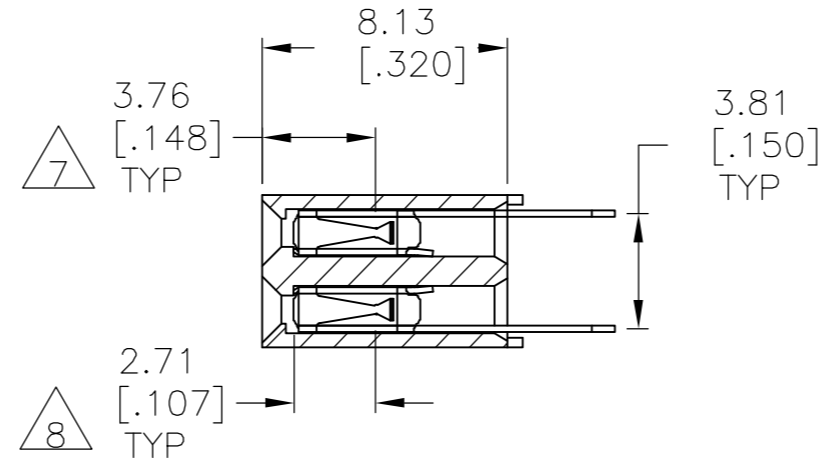
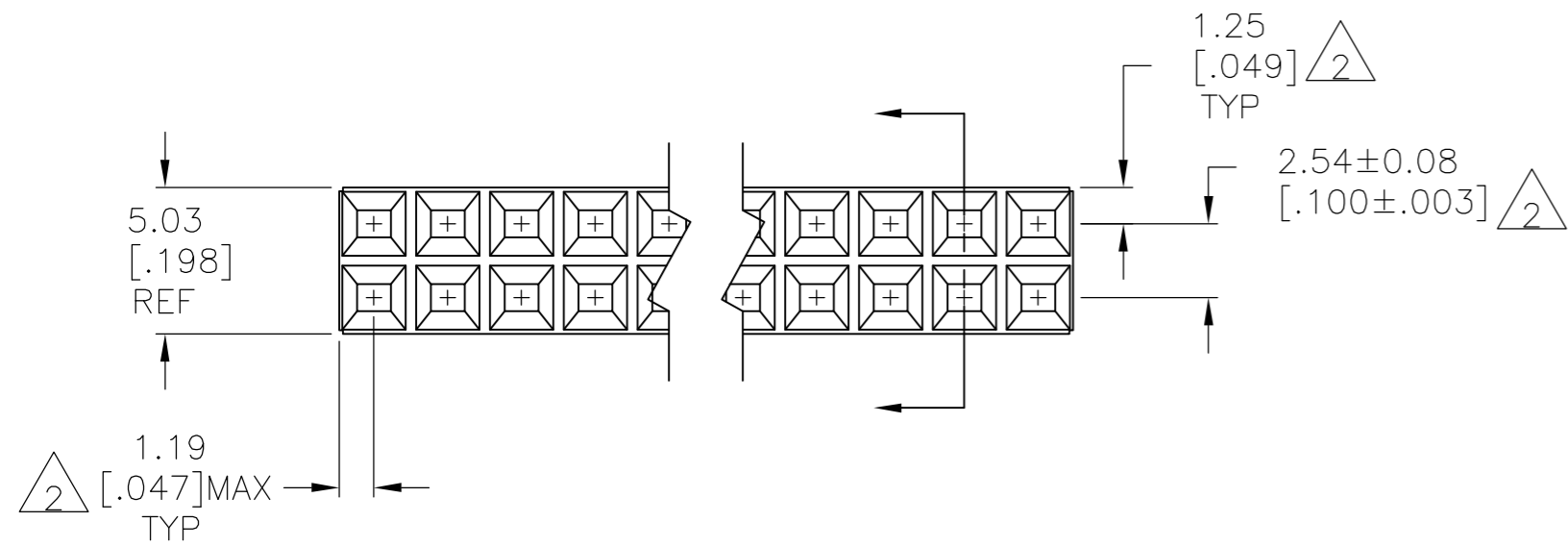
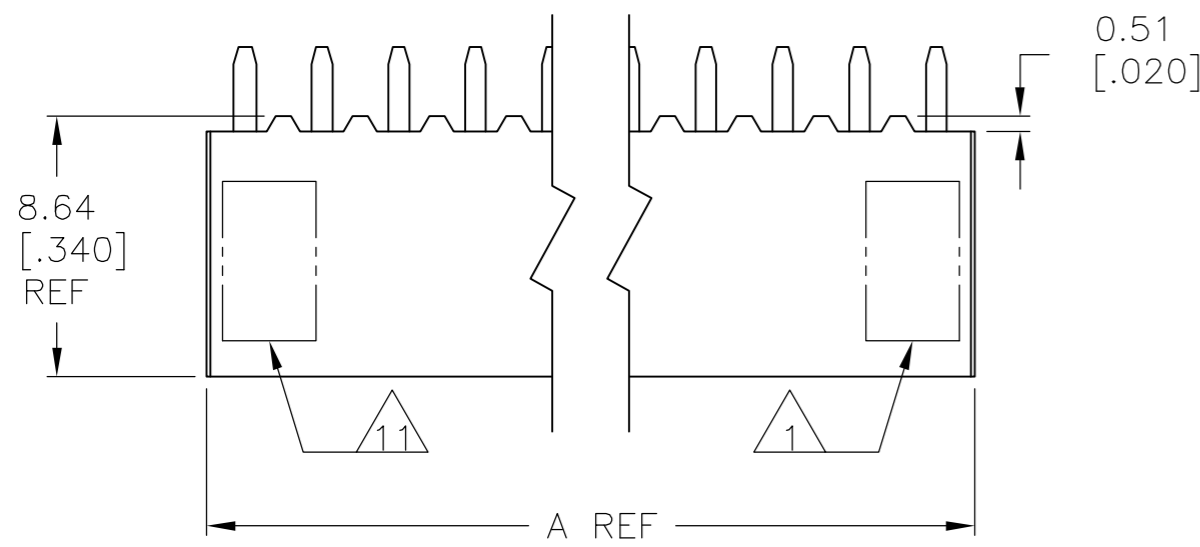
**www.Jameco.com ♦ 1-800-831-4242**

The content and copyrights of the attached  
material are the property of its owner.

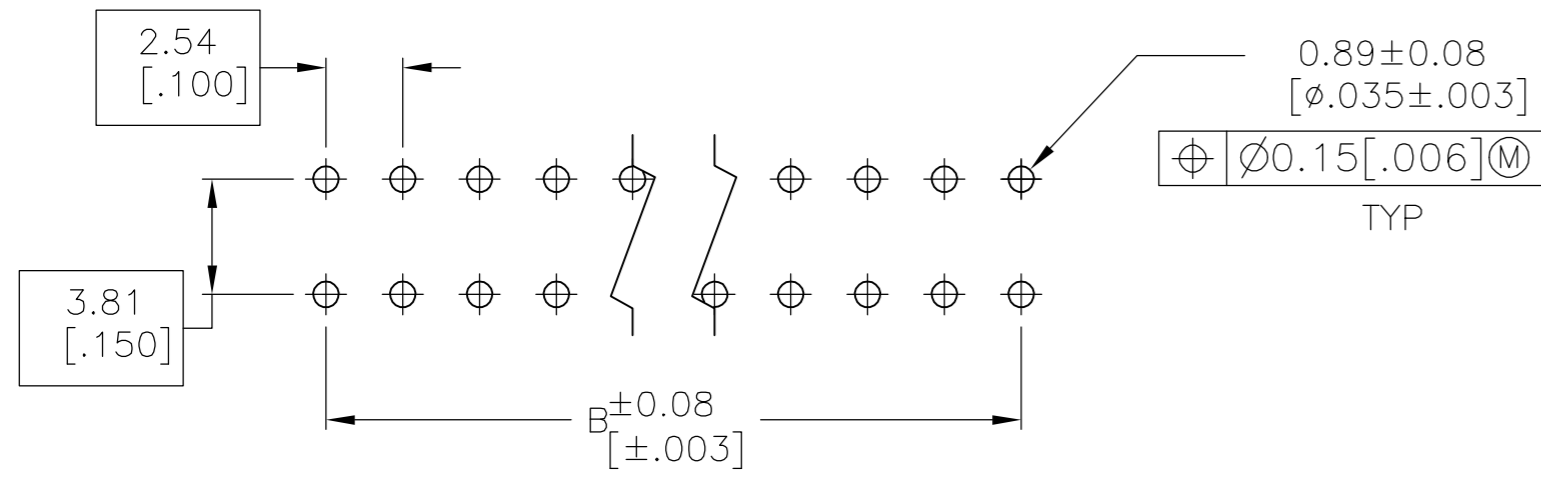
Jameco Part Number 745782

THIS DRAWING IS UNPUBLISHED. RELEASED FOR PUBLICATION  
 © COPYRIGHT BY TYCO ELECTRONICS CORPORATION. ALL RIGHTS RESERVED.

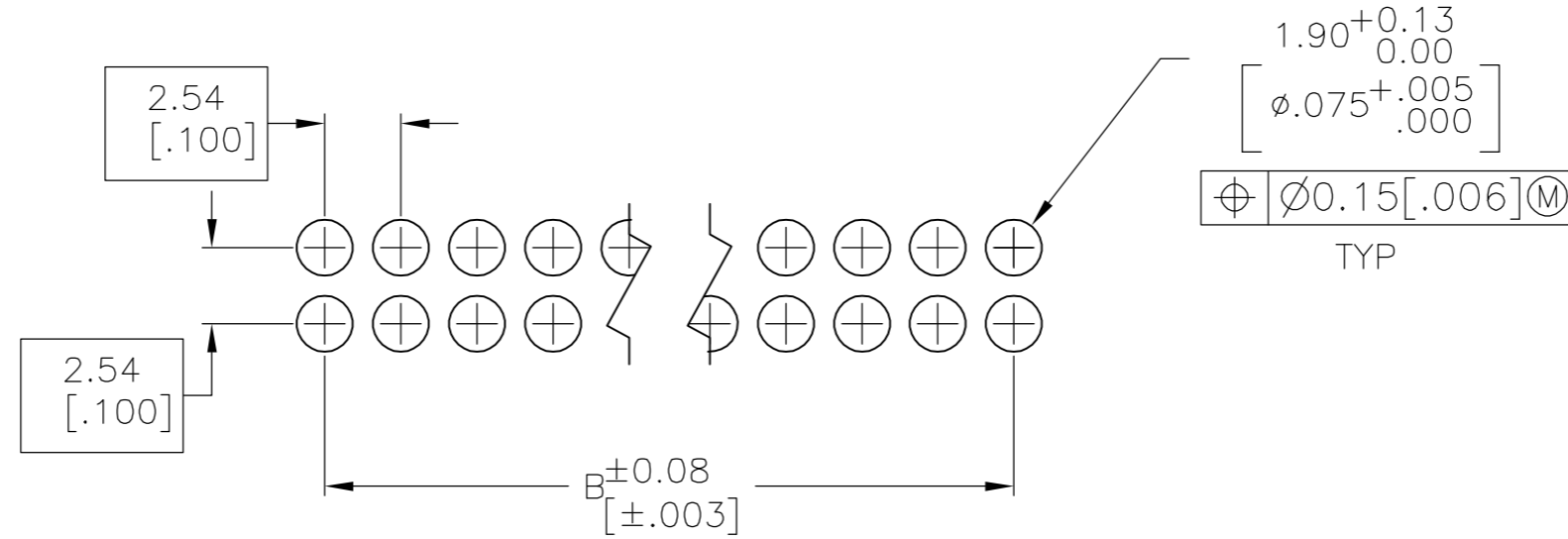
LOC		DIST		REVISIONS			
P	LTR	DESCRIPTION		DATE	DWN	APVD	
	V	EC 0G3C 0053 05		02MAR05	BSV	JRO	



- 1 TYCO LOGO AND CSA LOGO ARE MOLDED INTO THE HOUSING.
- 2 TOLERANCE NON-CUMULATIVE.
- 3 DUPLEX PLATED: 0.00076 (.000030) GOLD IN CONTACT AREA, .00381-.00762 (.000150-.000300) BRIGHT TIN-LEAD ON LEADS, ALL OVER 0.00127 (.000050) MIN NICKEL.
- 4 THESE DIMENSIONS PERTAIN TO CAVITY C/L'S ONLY, NOT TO CONTACT LOCATIONS.
- 5 NO PART NUMBER MARKING REQUIRED ON THIS PART NUMBER.
- 6 HOUSING: FLAME RETARDANT GLASS FILLED POLYESTER - BLACK. CONTACTS: PHOS. BRONZE.
- 7 POINT OF CONTACT DIMENSION.
- 8 POINT OF MEASUREMENT FOR PLATING THICKNESS (INSIDE CONTACT BEAMS).
- 9 DUPLEX PLATED: 0.00076 (.000030) GOLD DUPLEX IN CONTACT AREA, 0.00381-0.00762 (.000150-.000300) MATTE TIN ON LEADS, ALL OVER 0.00127 (.000050) MIN NICKEL.
- 10 ROHS 2002/95/EC COMPLIANT
- 11 PART NUMBER AND DATE CODE ARE MARKED IN APPROXIMATE LOCATION SHOWN.



RECOMENDED HOLE LAYOUT FOR TOP ENTRY



RECOMENDED HOLE LAYOUT FOR BOTTOM ENTRY OR PASS THROUGH APPLICATIONS

THIS DRAWING IS A CONTROLLED DOCUMENT.		DWN R. BOLES 19-11-92	Tyco Electronics Corporation Harrisburg, Pa 17105-3608	
DIMENSIONS: mm [INCHES]		CHK T. KINSEY 19-11-92		
TOLERANCES UNLESS OTHERWISE SPECIFIED:		APVD -	NAME	
0 PLC ± - 1 PLC ± - 2 PLC ± - 3 PLC ± .005 4 PLC ± - ANGLES ± - FINISH		PRODUCT SPEC 108-25026	ASSEMBLY, MOD II DOUBLE ROW, .100 X .100 C/L, VERTICAL MOUNTED, CLOSED ENTRY, SHORT PT. CONTACTS	
MATERIAL		APPLICATION SPEC 114-25018	SIZE A2	CAGE CODE 00779
		WEIGHT -	DRAWING NO C=534236	
		CUSTOMER DRAWING		RESTRICTED TO -
		SCALE 4:1	SHEET 1	OF 2
		REV V		

THIS DRAWING IS UNPUBLISHED. RELEASED FOR PUBLICATION  
 © COPYRIGHT BY TYCO ELECTRONICS CORPORATION. ALL RIGHTS RESERVED.

LOC	DIST	REVISIONS					
AD	00	P	LTR	DESCRIPTION	DATE	DWN	APVD
		-		SEE SHEET 1	-	-	-

FINISH	A	B	NO OF POSN	PART NO.
9	1.300	1.200	26	9-534236-1
9	4.000	3.900	80	9-534236-0
9	3.900	3.800	78	8-534236-9
9	3.800	3.700	76	8-534236-8
9	3.700	3.600	74	8-534236-7
9	3.600	3.500	72	8-534236-6
9	3.500	3.400	70	8-534236-5
9	3.400	3.300	68	8-534236-4
9	3.300	3.200	66	8-534236-3
9	3.200	3.100	64	8-534236-2
9	3.100	3.000	62	8-534236-1
9	3.000	2.900	60	8-534236-0
9	2.900	2.800	58	7-534236-9
9	2.800	2.700	56	7-534236-8
9	2.700	2.600	54	7-534236-7
9	2.600	2.500	52	7-534236-6
9	2.500	2.400	50	7-534236-5
9	2.400	2.300	48	7-534236-4
9	2.300	2.200	46	7-534236-3
9	2.200	2.100	44	7-534236-2
9	2.100	2.000	42	7-534236-1
9	2.000	1.900	40	7-534236-0
9	1.900	1.800	38	6-534236-9
9	1.800	1.700	36	6-534236-8
9	1.700	1.600	34	6-534236-7
9	1.600	1.500	32	6-534236-6
9	1.500	1.400	30	6-534236-5
9	1.400	1.300	28	6-534236-4
9	1.300	1.200	26	6-534236-3
9	1.200	1.100	24	6-534236-2
9	1.100	1.000	22	6-534236-1
9	1.000	.900	20	6-534236-0
9	.900	.800	18	5-534236-9
9	.800	.700	16	5-534236-8
9	.700	.600	14	5-534236-7
9	.600	.500	12	5-534236-6
9	.500	.400	10	5-534236-5
9	.400	.300	8	5-534236-4
9	.300	.200	6	5-534236-3
9	.200	.100	4	5-534236-2
9	.100	-	2	5-534236-1

FINISH	A	B	NO OF POSN	PART NO.
3	1.300	1.200	26	4-534236-1
3	4.000	3.900	80	4-534236-0
3	3.900	3.800	78	3-534236-9
3	3.800	3.700	76	3-534236-8
3	3.700	3.600	74	3-534236-7
3	3.600	3.500	72	3-534236-6
3	3.500	3.400	70	3-534236-5
3	3.400	3.300	68	3-534236-4
3	3.300	3.200	66	3-534236-3
3	3.200	3.100	64	3-534236-2
3	3.100	3.000	62	3-534236-1
3	3.000	2.900	60	3-534236-0
3	2.900	2.800	58	2-534236-9
3	2.800	2.700	56	2-534236-8
3	2.700	2.600	54	2-534236-7
3	2.600	2.500	52	2-534236-6
3	2.500	2.400	50	2-534236-5
3	2.400	2.300	48	2-534236-4
3	2.300	2.200	46	2-534236-3
3	2.200	2.100	44	2-534236-2
3	2.100	2.000	42	2-534236-1
3	2.000	1.900	40	2-534236-0
3	1.900	1.800	38	1-534236-9
3	1.800	1.700	36	1-534236-8
3	1.700	1.600	34	1-534236-7
3	1.600	1.500	32	1-534236-6
3	1.500	1.400	30	1-534236-5
3	1.400	1.300	28	1-534236-4
3	1.300	1.200	26	1-534236-3
3	1.200	1.100	24	1-534236-2
3	1.100	1.000	22	1-534236-1
3	1.000	.900	20	1-534236-0
3	.900	.800	18	534236-9
3	.800	.700	16	534236-8
3	.700	.600	14	534236-7
3	.600	.500	12	534236-6
3	.500	.400	10	534236-5
3	.400	.300	8	534236-4
3	.300	.200	6	534236-3
3	.200	.100	4	534236-2
3	.100	-	2	534236-1

THIS DRAWING IS A CONTROLLED DOCUMENT.

DWN R. BOLES 19-11-92	Tyco Electronics Corporation Harrisburg, Pa 17105-3608
CHK T. KINSEY 19-11-92	
APVD -	
NAME	
PRODUCT SPEC 108-25026	ASSEMBLY, MOD II DOUBLE ROW, .100 X .100 C/L, VERTICAL MOUNTED, CLOSED ENTRY, SHORT PT. CONTACTS
APPLICATION SPEC 114-25018	
WEIGHT -	SIZE A2 CAGE CODE 00779 DRAWING NO C=534236 RESTRICTED TO -
CUSTOMER DRAWING	SCALE 4:1 SHEET 2 OF 2 REV V

DIMENSIONS:	TOLERANCES UNLESS OTHERWISE SPECIFIED:
mm [INCHES]	
0 PLC	± -
1 PLC	± -
2 PLC	± -
3 PLC	± .005
4 PLC	± -
ANGLES	± -
MATERIAL	FINISH
6	3 9